



TECHNICAL GUIDE

**LX SERIES
SPLIT SYSTEM
AIR CONDITIONERS
13 SEER – R-410A – 3 PHASE
2.5 THRU 5 NOMINAL TONS
MODELS: TCD30 THRU 60**

FOR INSTALLATION IN ALL US REGIONS AND CANADA



ISO 9001
Certified Quality
Management System



Due to continuous product improvement, specifications are subject to change without notice.

Visit us on the web at
www.simplygettingthejobdone.com and
www.york.com

Additional rating information can be found at
www.ahridirectory.org

WARRANTY SUMMARY*

Standard 1-Year limited parts warranty.

Standard 5-Years limited compressor warranty.

*Does not apply to R-22 models or internet sales.

See Limited Warranty certificate in User's Information Manual for details.

DESCRIPTION

The TCD models are part of our successful LX series 13 SEER three phase split system air conditioner lineup. These units are engineered as matched systems using York® indoor coils, furnaces and air handlers.

FEATURES

- **Small Footprint** - Minimum footprint for easier handling, transportation, and installation.
- **Easier Installation** - Independent panels provide quick access for unit setup. Installation time is reduced by easy power and control wiring access. Select indoor matches with factory-mounted TXVs are available for quicker system installation. The factory installed filter-drier and factory charge for a 15-Ft lineset means less time spent brazing and charging the system. The small base dimension and reduced unit clearances make for easier retrofits.
- **Accessible Information** - QR code on unit provides quick access to technical documents and warranty information.
- **Durable Finish** - The coated steel wire fan guard, coated external fasteners, and pre-treated G90-equivalent galvanized steel chassis components resist corrosion and rust creep. Champagne colored powdercoat paint further protects external panels.
- **Quality Coils** - The high efficiency microchannel aluminum coil is manufactured using an improved material system providing reliable performance and small unit size.
- **Rugged Coil Protection** - Coils are protected from mechanical damage by a proven stamped steel coil guard design.
- **Protected Compressor** - Compressors are protected internally by a high pressure relief valve and a temperature sensor, and externally by the system high pressure switch. The liquid line filter-drier is factory installed to protect the compressor against moisture and debris.
- **Reliable Operation** - Ball bearing fan motors provide superior performance in extreme temperatures.
- **Environmentally Friendly** - CFC-free R-410A refrigerant delivers environmentally friendly performance with zero ozone depletion.
- **Top Discharge** - Warm air is blown up, away from the structure and any landscaping and allows compact location on multi-unit applications.
- **Low Operating Sound Levels** - Developed using CFD and FEA tools, the sturdy cabinet and top design provides sound performance of 77 dBA or lower. Compatible accessories for further sound reduction are also available.
- **Better Service Access** - Diagonal base valves with open access for low-loss fittings, single panel access to the electrical controls, swing out control box for full corner access, and removable fan guard allow easy access for unit maintenance.
- **Agency Listed** - Safety certified by CSA to UL 1995 / CSA 22.2. Performance certified to ANSI/AHRI Standard 210/240 in accordance with the Unitary Small Equipment certification program.

LIST OF SECTIONS

DESCRIPTION 1
 FEATURES 1
 NOMENCLATURE 2
 PHYSICAL AND ELECTRICAL DATA 3
 DIMENSIONS 3
 SYSTEM CHARGE FOR VARIOUS MATCHED SYSTEMS 4
 COOLING CAPACITY - With Air Handler Coils 5
 COOLING CAPACITY - Upflow, Downflow &
 Horizontal Furnaces and Coils (Coil Only Ratings) 13
 COOLING CAPACITY - With High Efficiency Motor Furnaces .. 15
 APPLICATIONS AND ACCESSORIES 52
 SOUND POWER RATINGS 52
 MECHANICAL SPECIFICATIONS 53
 TYPICAL INSTALLATION 54
 TYPICAL FIELD WIRING 55
 ALTERNATIVE INSTALLATION CLEARANCES 55
 PERFORMANCE DATA - 2.5 TON 230 Volt 56
 PERFORMANCE DATA - 2.5 TON 460 Volt 59
 PERFORMANCE DATA - 3 TON 230 Volt 61
 PERFORMANCE DATA - 3 TON 460 Volt 64
 PERFORMANCE DATA - 3 TON 575 Volt 68
 PERFORMANCE DATA - 3.5 TON 230 Volt 72
 PERFORMANCE DATA - 3.5 TON 460 Volt 76
 PERFORMANCE DATA - 4 TON 230 Volt 80
 PERFORMANCE DATA - 4 TON 460 Volt 83
 PERFORMANCE DATA - 4 TON 575 Volt 86
 PERFORMANCE DATA - 5 TON 230 Volt 89
 PERFORMANCE DATA - 5 TON 460 Volt 92
 PERFORMANCE DATA - 5 TON 575 Volt 95

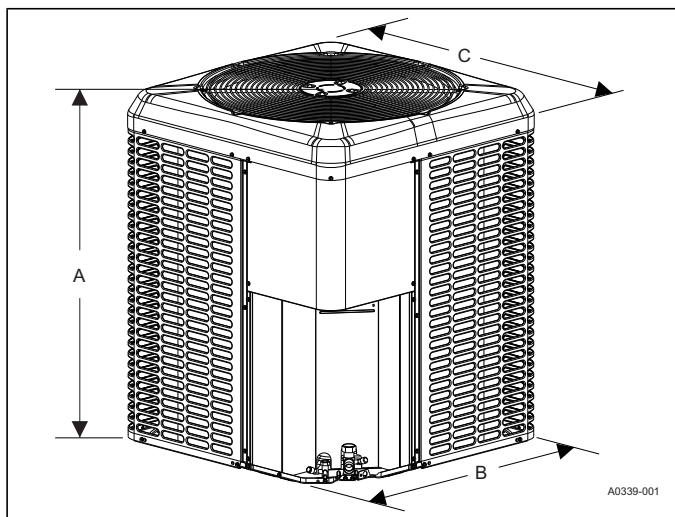
NOMENCLATURE

BRAND	T	T = Factory Branded
PRODUCT TYPE	C	C = Air Conditioner
NOMINAL SERIES EFFICIENCY AND STAGING	D	D = 13 SEER / 1-Stage
NOMINAL UNIT CAPACITY (MBH)	36	30 = 2.5 Ton 48 = 4 Ton 36 = 3 Ton 60 = 5 Ton 42 = 3.5 Ton
REFRIGERANT	B	B = R-410A
VOLTAGE (Voltage-Phase-Hertz)	3	3 = 208/230-3-60 4 = 460-3-60 5 = 575-3-60
GENERATION (MAJOR REVISION)	1	1 = 1st Gen 2 = 2nd Gen etc
FACTORY OPTION	S	S = Standard (No Options)
STYLE LETTER (MINOR REVISION) NOT USED FOR ORDERING	A	A = Style A B = Style B etc

PHYSICAL AND ELECTRICAL DATA

MODEL	TCD30 B32S	TCD36 B32S	TCD42 B32S	TCD48 B31SS	TCD60 B31SS	TCD30 B42S	TCD36 B42S	TCD42 B42S	TCD48 B41SS	TCD60 B41SS	TCD36 B52S	TCD48 B51SS	TCD60 B51SS	
Unit Supply Voltage	208-230V, 3 ϕ , 60Hz					460V, 3 ϕ , 60Hz					575V, 3 ϕ , 60Hz			
Normal Voltage Range ¹	187 to 252					432 to 504					540 to 630			
Minimum Circuit Ampacity	11.91	14.34	15.29	18.4	21.2	5.67	7.85	7.68	8.4	10.3	5.30	6.6	7.7	
Max. Overcurrent Device Amps ²	20	20	25	30	35	15	15	15	15	15	15	15	15	
Min. Overcurrent Device Amps ³	15	15	20	20	25	15	15	15	15	15	15	15	15	
Compressor	Type	Scroll	Scroll	Scroll	Scroll	Scroll	Scroll	Scroll	Scroll	Scroll	Scroll	Scroll	Scroll	
	Rated Load	8.89	10.43	11.19	13.7	15.9	4.22	5.76	5.63	6.2	7.7	3.77	4.8	5.7
	Locked Rotor	58.0	73.0	84.0	83.1	110.0	38.0	38.0	44.0	41.0	52.0	36.5	33.0	38.9
Crankcase Heater	No	No	No	No	No	No	No	No	No	No	No	No	No	
Factory External Discharge Muffler	No	No	Yes	No	No	No	No	Yes	No	No	No	No	No	
Fan Diameter Inches	22	22	24	24	26	22	22	24	24	26	22	24	26	
Fan Motor	Rated HP	1/8	1/4	1/4	1/4	1/4	1/8	1/4	1/4	1/4	1/4	1/4	1/4	
	Rated Load Amps	0.80	1.3	1.3	1.30	1.30	0.40	0.65	0.65	0.65	0.65	0.58	0.58	0.58
	Nominal RPM	1075	850	850	850	850	1075	850	850	850	850	850	850	
	Nominal CFM	2950	3275	3500	3500	4300	2850	3200	3650	3650	4075	3300	3550	4125
Coil	Face Area Sq. Ft.	13.83	17.37	18.74	18.74	23.40	13.83	17.37	18.74	18.74	23.40	17.37	18.74	23.40
	Rows Deep	1	1	1	1	1	1	1	1	1	1	1	1	
	Fins / Inch	23	23	23	23	23	23	23	23	23	23	23	23	
Liquid Line Set OD (Field Installed)	3/8	3/8	3/8	3/8	3/8	3/8	3/8	3/8	3/8	3/8	3/8	3/8	3/8	
Vapor Line Set OD (Field Installed) ⁴	3/4	3/4	7/8	7/8	1-1/8 [‡]	3/4	3/4	7/8	7/8	1-1/8 [‡]	3/4	7/8	1-1/8 [‡]	
Unit Charge (Lbs. - Oz.) ⁵	3 - 15	4 - 10	4 - 15	4 - 15	5 - 12	3 - 15	4 - 10	4 - 15	4 - 15	5 - 12	4 - 10	4 - 15	5 - 12	
Charge Per Foot, Oz.	0.62	0.62	0.67	0.67	0.75	0.62	0.62	0.67	0.67	0.75	0.62	0.67	0.75	
Operating Weight Lbs.	155	180	215	200	205	155	180	215	200	205	180	200	205	

1. Rated in accordance with AHRI Standard 110-2012, utilization range "A".
2. Dual element fuses or HACR circuit breaker. Maximum allowable overcurrent protection.
3. Dual element fuses or HACR circuit breaker. Minimum recommended overcurrent protection.
4. For applications with non-standard vapor line sizes, see the "Applications & Accessories" section of this Technical Guide.
5. The Unit Charge is correct for the outdoor unit, smallest matched indoor unit, and 15 feet of refrigerant tubing. For tubing lengths other than 15 feet, add or subtract the amount of refrigerant, using the difference in actual lineset length (not the equivalent length) multiplied by the per foot value.



DIMENSIONS

Unit Model	Dimensions (Inches)			Refrigerant Connection Service Valve Size	
	A	B	C	Liquid	Vapor
TCD30B(3,4)2S	30	29-1/4	29-1/4	3/8	3/4
TCD36B(3,4,5)2S	36-1/4	29-1/4	29-1/4		
TCD42B(3,4)2S	33-1/4	35-1/4	31-3/4		7/8
TCD48B(3,4,5)1S	33-1/4	35-1/4	31-3/4		
TCD60B(3,4,5)1S	36-1/4	38	34-1/4		7/8 [‡]

‡ Adapter fitting must be field installed for the required 1-1/8" line set.
 All dimensions are in inches and are subject to change without notice.
 Overall height is from bottom of base pan to top of fan guard.
 Overall length and width include screw heads.

SYSTEM CHARGE FOR VARIOUS MATCHED SYSTEMS

Outdoor Unit	TCD30B(3,4)2S	TCD36B(3,4,5)2S	TCD42B(3,4)2S	TCD48B(3,4,5)1S	TCD60B(3,4,5)1S
Required TXV ^{1,2}	BB1	BC1	BC1	BC1	BD1
Indoor Unit ^{3,4,5}	Additional Charge, oz				
AP30B	2	–	–	–	–
AP36B	2	0	–	–	–
AP36C	2	2	–	–	–
AP42C	2	2	0	–	–
AP48(C,D)	–	5	2	0	–
AP60(C,D)	–	–	9	2	0
AE30B	0	–	–	–	–
AE36(B,C)	2	0	–	–	–
AE42C	–	5	2	–	–
AE48(C,D)	–	5	2	0	–
AE60C	–	–	9	2	0
AE60D	–	–	29	22	20
AVC30B	0	–	–	–	–
AVC36(B,C)	2	0	–	–	–
AVC42C	–	5	2	–	–
AVC48(C,D)	–	5	2	0	–
AVC60C	–	–	9	2	0
AVC60D	–	–	29	22	20
CF/CM/CU30(A,B,C)	0	–	–	–	–
CF/CM/CU36(A,B,C,D)	2	0	–	–	–
CF/CM/CU42(B,C,D)	2	2	0	–	–
CF/CM/CU48(C,D)	–	5	2	0	–
CF/CM/CU60(C,D)	–	–	9	2	0
CF/CM64D	–	–	29	22	20

Some of the combinations shown in the above System Charge table require Advanced Main Air Circulating Fan indoor product. For approved coil only matches, please see the "COOLING CAPACITY - Upflow, Downflow & Horizontal Furnaces and Coils" table.

FOOTNOTES:

1. For applications requiring a TXV, use S1-1TVM*** series kit.
2. A TXV kit must be used with these indoor units to obtain system performance.
3. Systems matched with furnaces or air handlers not equipped with blower-off delays may require 60 second time delay..
4. CF coils cannot be used in horizontal applications.
5. Charge adders shown above do not indicate that coils are rated for every application. Refer to Performance Data Tables for actual performance for specified system matches. Obtain certified system ratings from www.ahridirectory.org.

CHARGING PROCEDURES:

1. Check the Factory Unit Charge listed on the unit nameplate to verify the refrigerant charge for the outdoor unit, the smallest matched indoor unit, and the 15 feet of interconnecting lineset.
2. Verify the indoor metering device and additional charge required for the specific matched indoor unit in the system using the above table.
3. Add additional charge for the amount of interconnecting lineset tubing greater than 15 feet at the rate specified in Physical and Electrical Data Table.
4. For installations requiring additional charge, weigh in refrigerant for the specific matching indoor unit and actual lineset length.
5. Once the charge adders for matched indoor unit and for lineset have been weighed in, verify the system operation against the temperatures and pressures in the Charging Chart for the outdoor unit. Locate Charging Charts on the outdoor unit and also in the Service Data Application Guide on www.simplygettingthejobdone.com. Follow the Subcool or Superheat charging procedure in the Installation Manual according to the type of indoor metering device in the system, and allow ten minutes after each charge adjustment for the system operation to stabilize. Record the charge adjustment made to match the Charging Chart.
6. Permanently stamp the unit nameplate with the TOTAL SYSTEM CHARGE defined as follows: TOTAL SYSTEM CHARGE = Base Charge (as shipped) + charge adder for matched indoor unit + charge adder for actual lineset length + charge adjustments to match the Charging Chart.

155	180	215	200	205	155	180	215	200	205	180	200
-----	-----	-----	-----	-----	-----	-----	-----	-----	-----	-----	-----

COOLING CAPACITY - With Air Handler Coils

UNIT MODEL	AIR HANDLER		COIL MODEL ¹	COOLING				
	MODEL	WIDTH		RATED CFM	NET MBH		SEER	EER
					TOTAL	SENS.		
TCD30B32S	AE30BX21	17.5	–	1000	29.40	21.00	15.00	12.25
TCD30B32S	AE36BX21	17.5	–	975	29.80	21.20	15.25	12.50
TCD30B32S	AE36CX21	21.0	–	1000	30.00	21.20	15.75	12.75
TCD30B32S	AP30BX21	17.5	–	1000	29.40	20.60	14.00	12.00
TCD30B32S	AP36BX21	17.5	–	1000	29.20	20.60	14.00	12.00
TCD30B32S	AP36CX21	21.0	–	1000	29.20	20.60	14.00	12.00
TCD30B32S	AP42CX21	21.0	–	1100	29.60	21.60	14.00	12.00
TCD30B32S	AVC30BX21	17.5	–	975	29.40	20.80	15.00	12.25
TCD30B32S	AVC36BX21	17.5	–	975	30.00	21.40	15.75	12.75
TCD30B32S	AVC36CX21	21.0	–	975	30.00	21.60	16.00	12.75
TCD30B32S	ME08BN21	17.5	CF/CM30B	900	29.20	20.40	15.50	12.50
TCD30B32S	ME08BN21	17.5	CF/CM36B	900	29.40	20.00	15.75	12.75
TCD30B32S	ME08BN21	17.5	CF42B	875	29.40	19.80	15.50	12.50
TCD30B32S	ME12BN21	17.5	CF/CM30B	825	28.60	19.00	15.50	12.50
TCD30B32S	ME12BN21	17.5	CF/CM36B	1025	29.80	21.40	15.50	12.50
TCD30B32S	ME12BN21	17.5	CF42B	975	29.80	21.00	15.25	12.50
TCD30B32S	ME14DN21	24.5	CF/CM30D	1050	30.00	21.80	16.00	12.75
TCD30B32S	ME14DN21	24.5	CF/CM36D	1025	30.00	21.60	16.00	12.75
TCD30B32S	ME14DN21	24.5	CF/CM42D	1000	30.00	21.00	16.00	12.75
TCD30B32S	ME16CN21	21.0	CF/CM30C	1075	29.60	21.80	15.00	12.25
TCD30B32S	ME16CN21	21.0	CF/CM36C	1100	30.00	22.00	15.25	12.25
TCD30B32S	ME16CN21	21.0	CF/CM42C	1000	29.60	20.80	14.75	12.25
TCD30B32S	MVC08BN21	17.5	CF42B	825	29.00	19.20	15.50	12.50
TCD30B32S	MVC12BN21	17.5	CF/CM30B	850	28.60	19.00	15.25	12.25
TCD30B32S	MVC12BN21	17.5	CF/CM36B	1000	29.60	21.00	15.00	12.25
TCD30B32S	MVC12BN21	17.5	CF42B	975	29.60	21.00	15.25	12.25
TCD30B32S	MVC14DN21	24.5	CF/CM30D	925	29.40	20.40	16.00	12.75
TCD30B32S	MVC14DN21	24.5	CF/CM36D	975	29.80	21.00	16.00	12.75
TCD30B32S	MVC14DN21	24.5	CF/CM42D	1000	30.00	21.00	16.00	12.75
TCD30B32S	MVC16CN21	21.0	CF/CM30C	925	29.20	20.40	15.75	12.75
TCD30B32S	MVC16CN21	21.0	CF/CM36C	1025	30.00	21.60	16.00	12.75
TCD30B32S	MVC16CN21	21.0	CF/CM42C	900	29.60	20.20	16.00	12.75
TCD30B32S	MVC20DN21	24.5	CF/CM36D	1120	30.00	22.20	16.00	12.75
TCD30B32S	MVC20DN21	24.5	CF/CM42D	1100	30.00	22.00	15.50	12.50
TCD30B42S	AE30BX21	17.5	–	1000	29.40	21.00	15.00	12.25
TCD30B42S	AE36BX21	17.5	–	975	29.80	21.20	15.25	12.50
TCD30B42S	AE36CX21	21.0	–	1000	30.00	21.20	15.75	12.75
TCD30B42S	AP30BX21	17.5	–	1000	29.40	20.60	14.00	12.00
TCD30B42S	AP36BX21	17.5	–	1000	29.20	20.60	14.00	12.00
TCD30B42S	AP36CX21	21.0	–	1000	29.20	20.60	14.00	12.00
TCD30B42S	AP42CX21	21.0	–	1100	29.60	21.60	14.00	12.00
TCD30B42S	AVC30BX21	17.5	–	975	29.40	20.80	15.00	12.25
TCD30B42S	AVC36BX21	17.5	–	975	30.00	21.40	15.75	12.75
TCD30B42S	AVC36CX21	21.0	–	975	30.00	21.60	16.00	12.75
TCD30B42S	ME08BN21	17.5	CF/CM30B	900	29.20	20.40	15.50	12.50
TCD30B42S	ME08BN21	17.5	CF/CM36B	900	29.40	20.00	15.75	12.75
TCD30B42S	ME08BN21	17.5	CF42B	875	29.40	19.80	15.50	12.50
TCD30B42S	ME12BN21	17.5	CF/CM30B	825	28.60	19.00	15.50	12.50
TCD30B42S	ME12BN21	17.5	CF/CM36B	1025	29.80	21.40	15.50	12.50
TCD30B42S	ME12BN21	17.5	CF42B	975	29.80	21.00	15.25	12.50
TCD30B42S	ME14DN21	24.5	CF/CM30D	1050	30.00	21.80	16.00	12.75
TCD30B42S	ME14DN21	24.5	CF/CM36D	1025	30.00	21.60	16.00	12.75
TCD30B42S	ME14DN21	24.5	CF/CM42D	1000	30.00	21.00	16.00	12.75

COOLING CAPACITY - With Air Handler Coils (Continued)

UNIT MODEL	AIR HANDLER		COIL MODEL ¹	COOLING				
	MODEL	WIDTH		RATED CFM	NET MBH		SEER	EER
					TOTAL	SENS.		
TCD30B42S	ME16CN21	21.0	CF/CM30C	1075	29.60	21.80	15.00	12.25
TCD30B42S	ME16CN21	21.0	CF/CM36C	1100	30.00	22.00	15.25	12.25
TCD30B42S	ME16CN21	21.0	CF/CM42C	1000	29.60	20.80	14.75	12.25
TCD30B42S	ME12BN41	17.5	CF/CM30B	850	28.80	21.80	15.50	12.50
TCD30B42S	ME12BN41	17.5	CF/CM36B	850	29.20	22.00	15.50	12.50
TCD30B42S	ME12BN41	17.5	CF42B	850	29.20	21.80	15.25	12.50
TCD30B42S	ME16CN41	21.0	CF/CM30C	925	29.20	22.80	15.00	12.25
TCD30B42S	ME16CN41	21.0	CF/CM36C	925	29.60	22.80	15.25	12.25
TCD30B42S	ME16CN41	21.0	CF/CM42C	950	29.60	23.20	14.75	12.25
TCD30B42S	MVC08BN21	17.5	CF42B	825	29.00	19.20	15.50	12.50
TCD30B42S	MVC12BN21	17.5	CF/CM30B	850	28.60	19.00	15.25	12.25
TCD30B42S	MVC12BN21	17.5	CF/CM36B	1000	29.60	21.00	15.00	12.25
TCD30B42S	MVC12BN21	17.5	CF42B	975	29.60	21.00	15.25	12.25
TCD30B42S	MVC14DN21	24.5	CF/CM30D	925	29.40	20.40	16.00	12.75
TCD30B42S	MVC14DN21	24.5	CF/CM36D	975	29.80	21.00	16.00	12.75
TCD30B42S	MVC14DN21	24.5	CF/CM42D	1000	30.00	21.00	16.00	12.75
TCD30B42S	MVC16CN21	21.0	CF/CM30C	925	29.20	20.40	15.75	12.75
TCD30B42S	MVC16CN21	21.0	CF/CM36C	1025	30.00	21.60	16.00	12.75
TCD30B42S	MVC16CN21	21.0	CF/CM42C	900	29.60	20.20	16.00	12.75
TCD30B42S	MVC20DN21	24.5	CF/CM36D	1120	30.00	22.20	16.00	12.75
TCD30B42S	MVC20DN21	24.5	CF/CM42D	1100	30.00	22.00	15.50	12.50
TCD36B32S	AE36BX21	17.5	--	1000	36.00	24.00	15.25	12.25
TCD36B32S	AE36CX21	21.0	--	1225	36.00	26.00	15.75	12.75
TCD36B32S	AE42CX21	21.0	--	1200	36.00	25.60	15.50	12.50
TCD36B32S	AE48CX21	21.0	--	1250	36.00	26.00	15.75	12.75
TCD36B32S	AE48DX21	24.5	--	1225	36.00	25.80	16.00	12.75
TCD36B32S	AP36BX21	17.5	--	1000	35.40	23.60	14.00	12.00
TCD36B32S	AP36CX21	21.0	--	1225	36.00	25.80	14.25	12.00
TCD36B32S	AP42CX21	21.0	--	1225	36.00	26.00	14.00	12.00
TCD36B32S	AP48CX21	21.0	--	1200	36.00	25.40	14.25	12.00
TCD36B32S	AP48DX21	24.5	--	1325	36.00	26.60	14.25	12.00
TCD36B32S	AVC36BX21	17.5	--	1025	36.00	24.00	15.25	12.25
TCD36B32S	AVC36CX21	21.0	--	1125	36.00	25.40	15.75	12.75
TCD36B32S	AVC42CX21	21.0	--	1100	36.00	25.20	16.00	12.75
TCD36B32S	AVC48CX21	21.0	--	1075	36.00	24.60	15.75	12.75
TCD36B32S	AVC48DX21	24.5	--	1350	36.00	26.80	16.00	12.75
TCD36B32S	ME12BN21	17.5	CF/CM36B	1025	36.00	24.00	15.25	12.25
TCD36B32S	ME12BN21	17.5	CF42B	975	36.00	24.00	15.25	12.25
TCD36B32S	ME14DN21	24.5	CF/CM36D	1250	36.00	26.20	16.00	12.75
TCD36B32S	ME14DN21	24.5	CF/CM42D	1225	36.00	26.00	16.00	12.75
TCD36B32S	ME14DN21	24.5	CF/CM48D	1200	36.00	25.60	16.00	12.75
TCD36B32S	ME16CN21	21.0	CF/CM36C	1225	36.00	26.00	15.75	12.75
TCD36B32S	ME16CN21	21.0	CF/CM42C	1225	36.00	25.80	15.75	12.75
TCD36B32S	ME16CN21	21.0	CF/CM48C	1225	36.00	25.80	16.00	12.75
TCD36B32S	ME20DN21	24.5	CF/CM36D	1325	36.00	26.80	15.00	12.25
TCD36B32S	ME20DN21	24.5	CF/CM42D	1325	36.00	26.80	15.00	12.25
TCD36B32S	ME20DN21	24.5	CF/CM48D	1325	36.00	26.60	15.00	12.25
TCD36B32S	MVC08BN21	17.5	CF42B	975	36.00	24.00	15.00	12.25
TCD36B32S	MVC12BN21	17.5	CF/CM36B	1025	36.00	24.00	14.75	12.25
TCD36B32S	MVC12BN21	17.5	CF42B	975	36.00	24.00	15.25	12.25
TCD36B32S	MVC14DN21	24.5	CF/CM36D	975	36.00	23.60	15.50	12.50
TCD36B32S	MVC14DN21	24.5	CF/CM42D	1275	36.00	26.20	15.75	12.75
TCD36B32S	MVC14DN21	24.5	CF/CM48D	1150	36.00	25.20	16.00	12.75

COOLING CAPACITY - With Air Handler Coils (Continued)

UNIT MODEL	AIR HANDLER		COIL MODEL ¹	COOLING				
	MODEL	WIDTH		RATED CFM	NET MBH		SEER	EER
					TOTAL	SENS.		
TCD36B32S	MVC16CN21	21.0	CF/CM36C	1100	36.00	24.80	15.75	12.75
TCD36B32S	MVC16CN21	21.0	CF/CM42C	1250	36.00	26.40	15.50	12.50
TCD36B32S	MVC16CN21	21.0	CF/CM48C	1200	36.00	25.40	15.75	12.75
TCD36B32S	MVC20DN21	24.5	CF/CM36D	1120	36.00	25.00	15.75	12.75
TCD36B32S	MVC20DN21	24.5	CF/CM42D	1200	36.00	25.60	15.50	12.50
TCD36B32S	MVC20DN21	24.5	CF/CM48D	1200	36.00	25.40	15.75	12.75
TCD36B42S	AE36BX21	17.5	--	1000	36.00	24.00	15.25	12.25
TCD36B42S	AE36CX21	21.0	--	1225	36.00	26.00	15.75	12.75
TCD36B42S	AE42CX21	21.0	--	1200	36.00	25.60	15.50	12.50
TCD36B42S	AE48CX21	21.0	--	1250	36.00	26.00	15.75	12.75
TCD36B42S	AE48DX21	24.5	--	1225	36.00	25.80	16.00	12.75
TCD36B42S	AP36BX21	17.5	--	1000	35.40	23.60	14.00	12.00
TCD36B42S	AP36CX21	21.0	--	1225	36.00	25.80	14.25	12.00
TCD36B42S	AP42CX21	21.0	--	1225	36.00	26.00	14.00	12.00
TCD36B42S	AP48CX21	21.0	--	1200	36.00	25.40	14.25	12.00
TCD36B42S	AP48DX21	24.5	--	1325	36.00	26.60	14.25	12.00
TCD36B42S	AVC36BX21	17.5	--	1025	36.00	24.00	15.25	12.25
TCD36B42S	AVC36CX21	21.0	--	1125	36.00	25.40	15.75	12.75
TCD36B42S	AVC42CX21	21.0	--	1100	36.00	25.20	16.00	12.75
TCD36B42S	AVC48CX21	21.0	--	1075	36.00	24.60	15.75	12.75
TCD36B42S	AVC48DX21	24.5	--	1350	36.00	26.80	16.00	12.75
TCD36B42S	ME12BN21	17.5	CF/CM36B	1025	36.00	24.00	15.25	12.25
TCD36B42S	ME12BN21	17.5	CF42B	975	36.00	24.00	15.25	12.25
TCD36B42S	ME14DN21	24.5	CF/CM36D	1250	36.00	26.20	16.00	12.75
TCD36B42S	ME14DN21	24.5	CF/CM42D	1225	36.00	26.00	16.00	12.75
TCD36B42S	ME14DN21	24.5	CF/CM48D	1200	36.00	25.60	16.00	12.75
TCD36B42S	ME16CN21	21.0	CF/CM36C	1225	36.00	26.00	15.75	12.75
TCD36B42S	ME16CN21	21.0	CF/CM42C	1225	36.00	25.80	15.75	12.75
TCD36B42S	ME16CN21	21.0	CF/CM48C	1225	36.00	25.80	16.00	12.75
TCD36B42S	ME20DN21	24.5	CF/CM36D	1325	36.00	26.80	15.00	12.25
TCD36B42S	ME20DN21	24.5	CF/CM42D	1325	36.00	26.80	15.00	12.25
TCD36B42S	ME20DN21	24.5	CF/CM48D	1325	36.00	26.60	15.00	12.25
TCD36B42S	ME12BN41	17.5	CF/CM36B	1075	36.00	27.40	15.25	12.25
TCD36B42S	ME12CN41	21.0	CF/CM36C	1250	36.00	29.40	15.50	12.50
TCD36B42S	ME12CN41	21.0	CF/CM42C	1250	36.00	29.60	15.50	12.50
TCD36B42S	ME12CN41	21.0	CF/CM48C	1250	36.00	29.60	15.50	12.50
TCD36B42S	ME14DN41	24.5	CF/CM36D	1025	36.00	27.00	15.75	12.75
TCD36B42S	ME14DN41	24.5	CF/CM42D	1025	36.00	26.80	15.75	12.75
TCD36B42S	ME14DN41	24.5	CF/CM48D	1025	36.00	27.00	16.00	12.75
TCD36B42S	ME16CN41	21.0	CF/CM36C	1100	36.00	27.80	15.75	12.75
TCD36B42S	ME16CN41	21.0	CF/CM42C	1100	36.00	27.80	15.75	12.75
TCD36B42S	ME16CN41	21.0	CF/CM48C	1100	36.00	27.80	16.00	12.75
TCD36B42S	ME20DN41	24.5	CF/CM36D	1250	36.00	29.40	15.00	12.25
TCD36B42S	ME20DN41	24.5	CF/CM42D	1250	36.00	29.60	15.00	12.25
TCD36B42S	ME20DN41	24.5	CF/CM48D	1250	36.00	29.80	15.00	12.25
TCD36B42S	MVC08BN21	17.5	CF42B	975	36.00	24.00	15.00	12.25
TCD36B42S	MVC12BN21	17.5	CF/CM36B	1025	36.00	24.00	14.75	12.25
TCD36B42S	MVC12BN21	17.5	CF42B	975	36.00	24.00	15.25	12.25
TCD36B42S	MVC14DN21	24.5	CF/CM36D	975	36.00	23.60	15.50	12.50
TCD36B42S	MVC14DN21	24.5	CF/CM42D	1275	36.00	26.20	15.75	12.75
TCD36B42S	MVC14DN21	24.5	CF/CM48D	1150	36.00	25.20	16.00	12.75
TCD36B42S	MVC16CN21	21.0	CF/CM36C	1100	36.00	24.80	15.75	12.75
TCD36B42S	MVC16CN21	21.0	CF/CM42C	1250	36.00	26.40	15.50	12.50

COOLING CAPACITY - With Air Handler Coils (Continued)

UNIT MODEL	AIR HANDLER		COIL MODEL ¹	COOLING				
	MODEL	WIDTH		RATED CFM	NET MBH		SEER	EER
					TOTAL	SENS.		
TCD36B42S	MVC16CN21	21.0	CF/CM48C	1200	36.00	25.40	15.75	12.75
TCD36B42S	MVC20DN21	24.5	CF/CM36D	1120	36.00	25.00	15.75	12.75
TCD36B42S	MVC20DN21	24.5	CF/CM42D	1200	36.00	25.60	15.50	12.50
TCD36B42S	MVC20DN21	24.5	CF/CM48D	1200	36.00	25.40	15.75	12.75
TCD36B52S	AE36BX21	17.5	--	1000	36.00	24.00	15.25	12.25
TCD36B52S	AE36CX21	21.0	--	1225	36.00	26.00	15.75	12.75
TCD36B52S	AE42CX21	21.0	--	1200	36.00	25.60	15.50	12.50
TCD36B52S	AE48CX21	21.0	--	1250	36.00	26.00	15.75	12.75
TCD36B52S	AE48DX21	24.5	--	1225	36.00	25.80	16.00	12.75
TCD36B52S	AP36BX21	17.5	--	1000	35.40	23.60	14.00	12.00
TCD36B52S	AP36CX21	21.0	--	1225	36.00	25.80	14.25	12.00
TCD36B52S	AP42CX21	21.0	--	1225	36.00	26.00	14.00	12.00
TCD36B52S	AP48CX21	21.0	--	1200	36.00	25.40	14.25	12.00
TCD36B52S	AP48DX21	24.5	--	1325	36.00	26.60	14.25	12.00
TCD36B52S	AVC36BX21	17.5	--	1025	36.00	24.00	15.25	12.25
TCD36B52S	AVC36CX21	21.0	--	1125	36.00	25.40	15.75	12.75
TCD36B52S	AVC42CX21	21.0	--	1100	36.00	25.20	16.00	12.75
TCD36B52S	AVC48CX21	21.0	--	1075	36.00	24.60	15.75	12.75
TCD36B52S	AVC48DX21	24.5	--	1350	36.00	26.80	16.00	12.75
TCD36B52S	ME12BN21	17.5	CF/CM36B	1025	36.00	24.00	15.25	12.25
TCD36B52S	ME12BN21	17.5	CF42B	975	36.00	24.00	15.25	12.25
TCD36B52S	ME14DN21	24.5	CF/CM36D	1250	36.00	26.20	16.00	12.75
TCD36B52S	ME14DN21	24.5	CF/CM42D	1225	36.00	26.00	16.00	12.75
TCD36B52S	ME14DN21	24.5	CF/CM48D	1200	36.00	25.60	16.00	12.75
TCD36B52S	ME16CN21	21.0	CF/CM36C	1225	36.00	26.00	15.75	12.75
TCD36B52S	ME16CN21	21.0	CF/CM42C	1225	36.00	25.80	15.75	12.75
TCD36B52S	ME16CN21	21.0	CF/CM48C	1225	36.00	25.80	16.00	12.75
TCD36B52S	ME20DN21	24.5	CF/CM36D	1325	36.00	26.80	15.00	12.25
TCD36B52S	ME20DN21	24.5	CF/CM42D	1325	36.00	26.80	15.00	12.25
TCD36B52S	ME20DN21	24.5	CF/CM48D	1325	36.00	26.60	15.00	12.25
TCD36B52S	MVC08BN21	17.5	CF42B	975	36.00	24.00	15.00	12.25
TCD36B52S	MVC12BN21	17.5	CF/CM36B	1025	36.00	24.00	14.75	12.25
TCD36B52S	MVC12BN21	17.5	CF42B	975	36.00	24.00	15.25	12.25
TCD36B52S	MVC14DN21	24.5	CF/CM36D	975	36.00	23.60	15.50	12.50
TCD36B52S	MVC14DN21	24.5	CF/CM42D	1275	36.00	26.20	15.75	12.75
TCD36B52S	MVC14DN21	24.5	CF/CM48D	1150	36.00	25.20	16.00	12.75
TCD36B52S	MVC16CN21	21.0	CF/CM36C	1100	36.00	24.80	15.75	12.75
TCD36B52S	MVC16CN21	21.0	CF/CM42C	1250	36.00	26.40	15.50	12.50
TCD36B52S	MVC16CN21	21.0	CF/CM48C	1200	36.00	25.40	15.75	12.75
TCD36B52S	MVC20DN21	24.5	CF/CM36D	1120	36.00	25.00	15.75	12.75
TCD36B52S	MVC20DN21	24.5	CF/CM42D	1200	36.00	25.60	15.50	12.50
TCD36B52S	MVC20DN21	24.5	CF/CM48D	1200	36.00	25.40	15.75	12.75
TCD42B32S	AE42CX21	21.0	--	1375	41.50	33.00	14.75	12.25
TCD42B32S	AE48CX21	21.0	--	1225	41.00	30.50	15.25	12.50
TCD42B32S	AE48DX21	24.5	--	1225	41.00	31.00	15.50	12.50
TCD42B32S	AE60CX21	21.0	--	1425	42.00	33.50	15.25	12.25
TCD42B32S	AE60DX21	24.5	--	1400	42.00	33.50	15.50	12.50
TCD42B32S	AP42CX21	21.0	--	1225	40.00	30.00	14.00	12.00
TCD42B32S	AP48CX21	21.0	--	1300	40.50	31.00	14.00	12.00
TCD42B32S	AP48DX21	24.5	--	1350	40.50	31.50	14.00	12.00
TCD42B32S	AP60DX22	24.5	--	1400	41.00	32.20	14.00	12.00
TCD42B32S	AVC42CX21	21.0	--	1275	41.00	31.00	15.00	12.25
TCD42B32S	AVC48CX21	21.0	--	1225	40.50	30.50	15.25	12.25

COOLING CAPACITY - With Air Handler Coils (Continued)

UNIT MODEL	AIR HANDLER		COIL MODEL ¹	COOLING				
	MODEL	WIDTH		RATED CFM	NET MBH		SEER	EER
					TOTAL	SENS.		
TCD42B32S	AVC48DX21	24.5	–	1300	41.50	32.00	15.50	12.50
TCD42B32S	AVC60CX21	21.0	–	1275	41.50	31.50	15.25	12.25
TCD42B32S	AVC60DX21	24.5	–	1200	41.50	30.50	15.50	12.50
TCD42B32S	ME14DN21	24.5	CF/CM42D	1400	41.50	33.00	15.25	12.50
TCD42B32S	ME14DN21	24.5	CF/CM48D	1400	41.50	33.00	15.25	12.25
TCD42B32S	ME14DN21	24.5	CF/CM60D	1225	41.50	31.00	15.75	12.75
TCD42B32S	ME14DN21	24.5	CF/CM64D	1375	42.00	33.00	14.75	12.25
TCD42B32S	ME16CN21	21.0	CF/CM42C	1400	41.00	33.00	15.00	12.25
TCD42B32S	ME16CN21	21.0	CF/CM48C	1225	41.00	30.50	15.50	12.50
TCD42B32S	ME16CN21	21.0	CF/CM60C	1225	41.50	31.00	15.75	12.75
TCD42B32S	ME20DN21	24.5	CF/CM42D	1450	41.50	33.50	15.25	12.25
TCD42B32S	ME20DN21	24.5	CF/CM48D	1475	42.00	34.00	15.25	12.50
TCD42B32S	ME20DN21	24.5	CF/CM60D	1425	42.00	33.00	15.25	12.50
TCD42B32S	ME20DN21	24.5	CF/CM64D	1400	42.00	33.00	15.25	12.50
TCD42B32S	MVC12BN21	17.5	CF42B	1175	40.00	29.00	14.25	12.00
TCD42B32S	MVC14DN21	24.5	CF/CM42D	1375	41.50	32.50	15.00	12.25
TCD42B32S	MVC14DN21	24.5	CF/CM48D	1325	41.50	32.00	15.25	12.50
TCD42B32S	MVC14DN21	24.5	CF/CM60D	1225	41.00	31.00	15.50	12.50
TCD42B32S	MVC16CN21	21.0	CF/CM42C	1250	41.00	31.00	15.25	12.50
TCD42B32S	MVC16CN21	21.0	CF/CM48C	1275	41.00	31.50	15.25	12.50
TCD42B32S	MVC20DN21	24.5	CF/CM42D	1225	40.50	30.50	15.00	12.25
TCD42B32S	MVC20DN21	24.5	CF/CM48D	1300	41.50	32.00	15.25	12.50
TCD42B32S	MVC20DN21	24.5	CF/CM60D	1250	41.50	31.50	15.75	12.75
TCD42B42S	AE42CX21	21.0	–	1375	41.50	33.00	14.75	12.25
TCD42B42S	AE48CX21	21.0	–	1225	41.00	30.50	15.25	12.50
TCD42B42S	AE48DX21	24.5	–	1225	41.00	31.00	15.50	12.50
TCD42B42S	AE60CX21	21.0	–	1425	42.00	33.50	15.25	12.25
TCD42B42S	AE60DX21	24.5	–	1400	42.00	33.50	15.50	12.50
TCD42B42S	AP42CX21	21.0	–	1225	40.00	30.00	14.00	12.00
TCD42B42S	AP48CX21	21.0	–	1300	40.50	31.00	14.00	12.00
TCD42B42S	AP48DX21	24.5	–	1350	40.50	31.50	14.00	12.00
TCD42B42S	AP60DX22	24.5	–	1400	41.00	32.20	14.00	12.00
TCD42B42S	AVC42CX21	21.0	–	1275	41.00	31.00	15.00	12.25
TCD42B42S	AVC48CX21	21.0	–	1225	40.50	30.50	15.25	12.25
TCD42B42S	AVC48DX21	24.5	–	1300	41.50	32.00	15.50	12.50
TCD42B42S	AVC60CX21	21.0	–	1275	41.50	31.50	15.25	12.25
TCD42B42S	AVC60DX21	24.5	–	1200	41.50	30.50	15.50	12.50
TCD42B42S	ME14DN21	24.5	CF/CM42D	1400	41.50	33.00	15.25	12.50
TCD42B42S	ME14DN21	24.5	CF/CM48D	1400	41.50	33.00	15.25	12.25
TCD42B42S	ME14DN21	24.5	CF/CM60D	1225	41.50	31.00	15.75	12.75
TCD42B42S	ME14DN21	24.5	CF/CM64D	1375	42.00	33.00	14.75	12.25
TCD42B42S	ME16CN21	21.0	CF/CM42C	1400	41.00	33.00	15.00	12.25
TCD42B42S	ME16CN21	21.0	CF/CM48C	1225	41.00	30.50	15.50	12.50
TCD42B42S	ME16CN21	21.0	CF/CM60C	1225	41.50	31.00	15.75	12.75
TCD42B42S	ME20DN21	24.5	CF/CM42D	1450	41.50	33.50	15.25	12.25
TCD42B42S	ME20DN21	24.5	CF/CM48D	1475	42.00	34.00	15.25	12.50
TCD42B42S	ME20DN21	24.5	CF/CM60D	1425	42.00	33.00	15.25	12.50
TCD42B42S	ME20DN21	24.5	CF/CM64D	1400	42.00	33.00	15.25	12.50
TCD42B42S	ME12CN41	21.0	CF/CM42C	1250	41.00	31.20	15.00	12.50
TCD42B42S	ME12CN41	21.0	CF/CM48C	1250	41.00	30.80	15.00	12.50
TCD42B42S	ME12CN41	21.0	CF/CM60C	1250	40.50	30.20	15.00	12.50
TCD42B42S	ME20DN41	24.5	CF/CM42D	1250	41.00	31.20	15.25	12.50
TCD42B42S	ME20DN41	24.5	CF/CM48D	1250	41.00	31.00	15.25	12.75
TCD42B42S	ME20DN41	24.5	CF/CM60D	1250	41.50	31.40	15.25	12.75

COOLING CAPACITY - With Air Handler Coils (Continued)

UNIT MODEL	AIR HANDLER		COIL MODEL ¹	COOLING				
	MODEL	WIDTH		RATED CFM	NET MBH		SEER	EER
					TOTAL	SENS.		
TCD42B42S	ME20DN41	24.5	CF/CM64D	1250	42.00	31.80	15.25	12.75
TCD42B42S	MVC12BN21	17.5	CF42B	1175	40.00	29.00	14.25	12.00
TCD42B42S	MVC14DN21	24.5	CF/CM42D	1375	41.50	32.50	15.00	12.25
TCD42B42S	MVC14DN21	24.5	CF/CM48D	1325	41.50	32.00	15.25	12.50
TCD42B42S	MVC14DN21	24.5	CF/CM60D	1225	41.00	31.00	15.50	12.50
TCD42B42S	MVC16CN21	21.0	CF/CM42C	1250	41.00	31.00	15.25	12.50
TCD42B42S	MVC16CN21	21.0	CF/CM48C	1275	41.00	31.50	15.25	12.50
TCD42B42S	MVC20DN21	24.5	CF/CM42D	1225	40.50	30.50	15.00	12.25
TCD42B42S	MVC20DN21	24.5	CF/CM48D	1300	41.50	32.00	15.25	12.50
TCD42B42S	MVC20DN21	24.5	CF/CM60D	1250	41.50	31.50	15.75	12.75
TCD48B31S	AE48CX21	21.0	--	1425	47.00	33.80	15.50	12.75
TCD48B31S	AE48DX21	24.5	--	1425	47.00	34.00	15.75	12.75
TCD48B31S	AE60CX21	21.0	--	1425	47.50	34.40	15.75	12.75
TCD48B31S	AE60DX21	24.5	--	1400	48.00	34.60	16.00	13.00
TCD48B31S	AP48CX21	21.0	--	1300	48.00	33.20	14.00	11.75
TCD48B31S	AP48DX21	24.5	--	1600	47.50	33.80	14.00	11.75
TCD48B31S	AP60CX21	21.0	--	1600	48.00	36.00	14.00	12.00
TCD48B31S	AP60DX22	24.5	--	1600	48.00	35.80	14.00	11.75
TCD48B31S	AVC48CX21	21.0	--	1350	48.00	34.20	15.25	12.50
TCD48B31S	AVC48DX21	24.5	--	1350	48.00	34.00	15.75	12.75
TCD48B31S	AVC60CX21	21.0	--	1350	48.00	34.20	15.75	12.75
TCD48B31S	AVC60DX21	24.5	--	1475	48.00	35.00	15.75	12.75
TCD48B31S	ME14DN21	24.5	CF/CM60D	1425	48.00	34.80	15.75	12.75
TCD48B31S	ME14DN21	24.5	CF/CM64D	1375	48.00	34.40	16.00	13.00
TCD48B31S	ME16CN21	21.0	CF/CM48C	1475	48.00	35.20	15.75	12.75
TCD48B31S	ME16CN21	21.0	CF/CM60C	1450	48.00	35.20	15.75	12.75
TCD48B31S	ME20DN21	24.5	CF/CM48D	1475	48.00	35.20	15.75	12.75
TCD48B31S	ME20DN21	24.5	CF/CM60D	1400	48.00	34.60	15.75	12.75
TCD48B31S	ME20DN21	24.5	CF/CM64D	1425	48.00	34.60	16.00	13.00
TCD48B31S	MVC14DN21	24.5	CF/CM48D	1325	48.00	33.20	15.50	12.75
TCD48B31S	MVC14DN21	24.5	CF/CM60D	1350	48.00	33.60	15.50	12.75
TCD48B31S	MVC14DN21	24.5	CF/CM64D	1325	48.00	33.80	16.00	13.00
TCD48B31S	MVC16CN21	21.0	CF/CM48C	1425	48.00	34.60	15.50	12.75
TCD48B31S	MVC16CN21	21.0	CF/CM60C	1650	48.00	36.40	16.00	13.00
TCD48B31S	MVC20DN21	24.5	CF/CM48D	1450	48.00	34.80	15.50	12.75
TCD48B31S	MVC20DN21	24.5	CF/CM60D	1475	48.00	35.20	15.75	12.75
TCD48B31S	MVC20DN21	24.5	CF/CM64D	1375	48.00	34.40	16.00	13.00
TCD48B41S	AE48CX21	21.0	--	1425	47.00	34.00	15.50	12.75
TCD48B41S	AE48DX21	24.5	--	1425	47.00	34.00	15.75	12.75
TCD48B41S	AE60CX21	21.0	--	1425	47.50	34.60	15.75	12.75
TCD48B41S	AE60DX21	24.5	--	1400	48.00	34.60	16.00	13.00
TCD48B41S	AP48CX21	21.0	--	1300	48.00	33.40	14.00	11.75
TCD48B41S	AP48DX21	24.5	--	1600	47.50	33.80	14.00	11.75
TCD48B41S	AP60CX21	21.0	--	1600	48.00	36.20	14.00	12.00
TCD48B41S	AP60DX22	24.5	--	1600	48.00	36.20	14.00	11.75
TCD48B41S	AVC48CX21	21.0	--	1350	48.00	34.40	15.25	12.50
TCD48B41S	AVC48DX21	24.5	--	1350	48.00	34.40	15.75	12.75
TCD48B41S	AVC60CX21	21.0	--	1350	48.00	34.20	15.75	12.75
TCD48B41S	AVC60DX21	24.5	--	1475	48.00	35.40	15.75	12.75
TCD48B41S	ME14DN21	24.5	CF/CM60D	1425	48.00	34.80	15.75	12.75
TCD48B41S	ME14DN21	24.5	CF/CM64D	1375	48.00	34.60	16.00	13.00
TCD48B41S	ME16CN21	21.0	CF/CM48C	1475	48.00	35.00	15.75	12.75
TCD48B41S	ME16CN21	21.0	CF/CM60C	1450	48.00	35.00	15.75	12.75
TCD48B41S	ME20DN21	24.5	CF/CM48D	1475	48.00	35.00	15.75	12.75

COOLING CAPACITY - With Air Handler Coils (Continued)

UNIT MODEL	AIR HANDLER		COIL MODEL ¹	COOLING				
	MODEL	WIDTH		RATED CFM	NET MBH		SEER	EER
					TOTAL	SENS.		
TCD48B41S	ME20DN21	24.5	CF/CM60D	1400	48.00	34.60	15.75	12.75
TCD48B41S	ME20DN21	24.5	CF/CM64D	1425	48.00	34.80	16.00	13.00
TCD48B41S	ME12CN41	21.0	CF/CM48C	1300	48.00	34.60	15.75	13.00
TCD48B41S	ME12CN41	21.0	CF/CM60C	1300	48.00	34.40	15.50	12.75
TCD48B41S	ME14DN41	24.5	CF/CM48D	1375	48.00	37.40	15.50	12.75
TCD48B41S	ME14DN41	24.5	CF/CM60D	1375	48.00	36.00	15.75	12.75
TCD48B41S	ME14DN41	24.5	CF/CM64D	1350	48.00	36.40	16.00	13.00
TCD48B41S	ME16CN41	21.0	CF/CM48C	1350	48.00	35.60	15.75	13.00
TCD48B41S	ME16CN41	21.0	CF/CM60C	1600	48.00	34.80	14.00	12.00
TCD48B41S	ME20DN41	24.5	CF/CM48D	1425	48.00	36.40	15.75	12.75
TCD48B41S	ME20DN41	24.5	CF/CM60D	1425	48.00	37.00	15.75	12.75
TCD48B41S	ME20DN41	24.5	CF/CM64D	1425	48.00	40.00	16.00	13.00
TCD48B41S	MVC14DN21	24.5	CF/CM48D	1325	48.00	33.20	15.50	12.75
TCD48B41S	MVC14DN21	24.5	CF/CM60D	1350	48.00	34.20	15.50	12.75
TCD48B41S	MVC14DN21	24.5	CF/CM64D	1325	48.00	33.60	16.00	13.00
TCD48B41S	MVC16CN21	21.0	CF/CM48C	1425	48.00	34.80	15.50	12.75
TCD48B41S	MVC16CN21	21.0	CF/CM60C	1650	48.00	37.20	16.00	13.00
TCD48B41S	MVC20DN21	24.5	CF/CM48D	1450	48.00	35.00	15.50	12.75
TCD48B41S	MVC20DN21	24.5	CF/CM60D	1475	48.00	35.40	15.75	12.75
TCD48B41S	MVC20DN21	24.5	CF/CM64D	1375	48.00	34.60	16.00	13.00
TCD48B51S	AE48CX21	21.0	–	1425	47.00	33.80	15.50	12.75
TCD48B51S	AE48DX21	24.5	–	1425	47.00	34.00	15.75	12.75
TCD48B51S	AE60CX21	21.0	–	1425	47.50	34.60	15.75	12.75
TCD48B51S	AE60DX21	24.5	–	1400	48.00	34.60	16.00	13.00
TCD48B51S	AP48CX21	21.0	–	1300	48.00	33.40	14.00	11.75
TCD48B51S	AP48DX21	24.5	–	1600	47.50	33.80	14.00	11.75
TCD48B51S	AP60CX21	21.0	–	1600	48.00	36.00	14.00	12.00
TCD48B51S	AP60DX22	24.5	–	1600	48.00	35.80	14.00	11.75
TCD48B51S	AVC48CX21	21.0	–	1350	48.00	34.00	15.25	12.50
TCD48B51S	AVC48DX21	24.5	–	1350	48.00	34.20	15.75	12.75
TCD48B51S	AVC60CX21	21.0	–	1350	48.00	34.20	15.75	12.75
TCD48B51S	AVC60DX21	24.5	–	1475	48.00	35.20	15.75	12.75
TCD48B51S	ME14DN21	24.5	CF/CM60D	1425	48.00	34.80	15.75	12.75
TCD48B51S	ME14DN21	24.5	CF/CM64D	1375	48.00	34.00	16.00	13.00
TCD48B51S	ME16CN21	21.0	CF/CM48C	1475	48.00	35.00	15.75	12.75
TCD48B51S	ME16CN21	21.0	CF/CM60C	1450	48.00	35.20	15.75	12.75
TCD48B51S	ME20DN21	24.5	CF/CM48D	1475	48.00	35.00	15.75	12.75
TCD48B51S	ME20DN21	24.5	CF/CM60D	1400	48.00	34.60	15.75	12.75
TCD48B51S	ME20DN21	24.5	CF/CM64D	1425	48.00	34.80	16.00	13.00
TCD48B51S	MVC14DN21	24.5	CF/CM48D	1325	48.00	33.20	15.50	12.75
TCD48B51S	MVC14DN21	24.5	CF/CM60D	1350	48.00	33.60	15.50	12.75
TCD48B51S	MVC14DN21	24.5	CF/CM64D	1325	48.00	33.40	16.00	13.00
TCD48B51S	MVC16CN21	21.0	CF/CM48C	1425	48.00	34.60	15.50	12.75
TCD48B51S	MVC16CN21	21.0	CF/CM60C	1650	48.00	36.80	16.00	13.00
TCD48B51S	MVC20DN21	24.5	CF/CM48D	1450	48.00	35.00	15.50	12.75
TCD48B51S	MVC20DN21	24.5	CF/CM60D	1475	48.00	35.20	15.75	12.75
TCD48B51S	MVC20DN21	24.5	CF/CM64D	1375	48.00	34.00	16.00	13.00
TCD60B31S	AE60CX21	21.0	–	1625	56.00	40.00	14.00	11.75
TCD60B31S	AE60DX21	24.5	–	1775	57.50	42.00	14.00	12.00
TCD60B31S	AP60CX21	21.0	–	1700	55.00	39.50	13.25	11.25
TCD60B31S	AP60DX22	24.5	–	1725	55.00	40.50	13.25	11.25
TCD60B31S	AVC60CX21	21.0	–	1750	56.50	41.50	13.75	11.75
TCD60B31S	AVC60DX21	24.5	–	1650	57.50	41.00	14.50	12.00
TCD60B31S	ME16CN21	21.0	CF/CM60C	1625	56.00	40.00	14.25	12.00

COOLING CAPACITY - With Air Handler Coils (Continued)

UNIT MODEL	AIR HANDLER		COIL MODEL ¹	COOLING				
	MODEL	WIDTH		RATED CFM	NET MBH		SEER	EER
					TOTAL	SENS.		
TCD60B31S	ME20DN21	24.5	CF/CM60D	1650	56.50	41.00	14.25	12.00
TCD60B31S	ME20DN21	24.5	CF/CM64D	1625	57.00	40.50	14.50	12.00
TCD60B31S	MVC16CN21	21.0	CF/CM60C	1650	57.00	41.50	15.25	12.50
TCD60B31S	MVC20DN21	24.5	CF/CM60D	1700	56.00	40.50	14.25	11.75
TCD60B31S	MVC20DN21	24.5	CF/CM64D	1700	57.00	40.50	14.50	12.00
TCD60B41S	AE60CX21	21.0	—	1625	56.00	40.00	14.00	11.75
TCD60B41S	AP60CX21	21.0	—	1700	55.00	39.50	13.25	11.25
TCD60B41S	AP60DX22	24.5	—	1725	55.00	40.00	13.25	11.25
TCD60B41S	AVC60CX21	21.0	—	1750	56.00	41.50	13.75	11.75
TCD60B41S	ME20DN21	24.5	CF/CM60D	1650	56.50	40.50	14.25	12.00
TCD60B41S	ME20DN21	24.5	CF/CM64D	1625	57.00	40.50	14.50	12.00
TCD60B41S	ME16CN41	21.0	CF/CM60C	1600	55.00	40.00	14.25	12.00
TCD60B41S	ME20DN41	24.5	CF/CM60D	1650	56.50	41.00	14.50	12.25
TCD60B41S	ME20DN41	24.5	CF/CM64D	1625	57.50	42.50	14.75	12.25
TCD60B41S	MVC16CN21	21.0	CF/CM60C	1650	57.00	41.00	15.25	12.50
TCD60B41S	MVC20DN21	24.5	CF/CM60D	1700	56.00	40.50	14.25	11.75
TCD60B41S	MVC20DN21	24.5	CF/CM64D	1700	57.00	40.50	14.50	12.00
TCD60B51S	AP60CX21	21.0	—	1700	55.00	40.00	13.25	11.25
TCD60B51S	AP60DX22	24.5	—	1725	55.00	40.00	13.25	11.25
TCD60B51S	ME20DN21	24.5	CF/CM60D	1650	56.50	41.00	14.25	12.00
TCD60B51S	ME20DN21	24.5	CF/CM64D	1625	57.00	40.50	14.50	12.00
TCD60B51S	MVC16CN21	21.0	CF/CM60C	1650	57.00	41.50	15.25	12.50
TCD60B51S	MVC20DN21	24.5	CF/CM60D	1700	56.00	40.50	14.25	11.75
TCD60B51S	MVC20DN21	24.5	CF/CM64D	1700	57.00	40.50	14.50	12.00

Rated in accordance with DOE test procedures (Federal Register 12-27-79 and 3-18-88) and ANSI/AHRI Standard 210/240.

Cooling MBH based on 80°F entering air temperature, 50% RH (Relative Humidity), and rated air flow.

EER (Energy Efficiency Ratio) is the total cooling output in BTUs at 95°F outdoor ambient divided by the total electric power in watt-hours at those conditions.

SEER (Seasonal Energy Efficiency Ratio) is the total cooling output in BTUs during a normal annual usage period for cooling divided by the total electric power input in watt-hours during the same period.

1. CM coils available with a factory installed horizontal drain pan. See price pages for specific model number.

— = Not applicable.

MP Modular Air Handlers use Coil Only Ratings.

COOLING CAPACITY - Upflow, Downflow & Horizontal Furnaces and Coils (Coil Only Ratings)

UNIT MODEL	COIL		CFM RANGE (MIN.-MAX.)	COOLING				
	MODEL	WIDTH		RATED CFM	NET MBH		SEER ¹	EER
					TOTAL	SENS.		
TCD30B32S	CF/CM/CU30B	17.5	800 - 1200	1000	28.8	20.6	14.00	12.00
TCD30B32S	CF/CM/CU30C	21	800 - 1200	1000	28.8	20.6	14.00	12.00
TCD30B32S	CF/CM/CU30D	24.5	800 - 1200	1000	28.8	20.6	14.00	12.00
TCD30B32S	CF/CM/CU36B	17.5	800 - 1200	1000	29.2	20.6	14.00	12.00
TCD30B32S	CF/CM/CU36C	21	800 - 1200	1000	29.2	20.6	14.00	12.00
TCD30B32S	CF/CM/CU36D	24.5	800 - 1200	1000	29.2	20.6	14.00	12.00
TCD30B32S	CF/CM/CU42C	21	800 - 1200	1000	29.2	20.6	14.00	12.00
TCD30B32S	CF/CM/CU42D	24.5	800 - 1200	1000	29.2	20.6	14.00	12.00
TCD30B32S	CF/CM36A	14.5	800 - 1200	900	28.8	19.4	14.00	12.00
TCD30B32S	CF42B	17.5	800 - 1200	1000	29.2	20.6	14.00	12.00
TCD30B42S	CF/CM/CU30B	17.5	800 - 1200	1000	28.8	20.6	14.00	12.00
TCD30B42S	CF/CM/CU30C	21	800 - 1200	1000	28.8	20.6	14.00	12.00
TCD30B42S	CF/CM/CU30D	24.5	800 - 1200	1000	28.8	20.6	14.00	12.00
TCD30B42S	CF/CM/CU36B	17.5	800 - 1200	1000	29.2	20.6	14.00	12.00
TCD30B42S	CF/CM/CU36C	21	800 - 1200	1000	29.2	20.6	14.00	12.00
TCD30B42S	CF/CM/CU36D	24.5	800 - 1200	1000	29.2	20.6	14.00	12.00
TCD30B42S	CF/CM/CU42C	21	800 - 1200	1000	29.2	20.6	14.00	12.00
TCD30B42S	CF/CM/CU42D	24.5	800 - 1200	1000	29.2	20.6	14.00	12.00
TCD30B42S	CF/CM36A	14.5	800 - 1200	900	28.8	19.4	14.00	12.00
TCD30B42S	CF42B	17.5	800 - 1200	1000	29.2	20.6	14.00	12.00
TCD36B32S	CF/CM/CU36B	17.5	1000 - 1400	1200	35.0	25.0	14.00	12.00
TCD36B32S	CF/CM/CU36C	21	1000 - 1400	1200	35.0	25.0	14.00	12.00
TCD36B32S	CF/CM/CU36D	24.5	1000 - 1400	1200	35.0	25.0	14.00	12.00
TCD36B32S	CF/CM/CU42C	21	1000 - 1400	1200	36.0	25.6	14.00	12.00
TCD36B32S	CF/CM/CU42D	24.5	1000 - 1400	1200	36.0	25.6	14.00	12.00
TCD36B32S	CF/CM/CU48C	21	1000 - 1400	1200	36.0	25.6	14.00	12.00
TCD36B32S	CF/CM/CU48D	24.5	1000 - 1400	1200	36.0	25.6	14.00	12.00
TCD36B32S	CF42B	17.5	1000 - 1400	1200	36.0	25.6	14.00	12.00
TCD36B42S	CF/CM/CU36B	17.5	1000 - 1400	1200	35.0	25.0	14.00	12.00
TCD36B42S	CF/CM/CU36C	21	1000 - 1400	1200	35.0	25.0	14.00	12.00
TCD36B42S	CF/CM/CU36D	24.5	1000 - 1400	1200	35.0	25.0	14.00	12.00
TCD36B42S	CF/CM/CU42C	21	1000 - 1400	1200	36.0	25.6	14.00	12.00
TCD36B42S	CF/CM/CU42D	24.5	1000 - 1400	1200	36.0	25.6	14.00	12.00
TCD36B42S	CF/CM/CU48C	21	1000 - 1400	1200	36.0	25.6	14.00	12.00
TCD36B42S	CF/CM/CU48D	24.5	1000 - 1400	1200	36.0	25.6	14.00	12.00
TCD36B42S	CF42B	17.5	1000 - 1400	1200	36.0	25.6	14.00	12.00
TCD36B52S	CF/CM/CU36B	17.5	1000 - 1400	1200	35.0	25.0	14.00	12.00
TCD36B52S	CF/CM/CU36C	21	1000 - 1400	1200	35.0	25.0	14.00	12.00
TCD36B52S	CF/CM/CU36D	24.5	1000 - 1400	1200	35.0	25.0	14.00	12.00
TCD36B52S	CF/CM/CU42C	21	1000 - 1400	1200	36.0	25.6	14.00	12.00
TCD36B52S	CF/CM/CU42D	24.5	1000 - 1400	1200	36.0	25.6	14.00	12.00
TCD36B52S	CF/CM/CU48C	21	1000 - 1400	1200	36.0	25.6	14.00	12.00
TCD36B52S	CF/CM/CU48D	24.5	1000 - 1400	1200	36.0	25.6	14.00	12.00
TCD36B52S	CF42B	17.5	1000 - 1400	1200	36.0	25.6	14.00	12.00
TCD42B32S	CF/CM/CU42C	21	1200 - 1600	1400	40.0	30.0	14.00	12.00
TCD42B32S	CF/CM/CU42D	24.5	1200 - 1600	1400	40.0	30.0	14.00	12.00
TCD42B32S	CF/CM/CU48C	21	1200 - 1600	1400	40.5	32.0	14.00	12.00
TCD42B32S	CF/CM/CU48D	24.5	1200 - 1600	1400	40.5	32.0	14.00	12.00
TCD42B32S	CF/CM/CU60C	21	1200 - 1600	1400	41.0	32.5	14.00	12.00
TCD42B32S	CF/CM/CU60D	24.5	1200 - 1600	1400	41.0	32.5	14.00	12.00
TCD42B32S	CF/CM64D	24.5	1200 - 1600	1400	41.5	32.5	14.00	12.00
TCD42B32S	CF42B	17.5	1200 - 1600	1225	38.5	29.0	14.00	12.00
TCD42B42S	CF/CM/CU42C	21	1200 - 1600	1400	40.0	30.0	14.00	12.00
TCD42B42S	CF/CM/CU42D	24.5	1200 - 1600	1400	40.0	30.0	14.00	12.00

COOLING CAPACITY - Upflow, Downflow & Horizontal Furnaces and Coils (Coil Only Ratings) (Continued)

UNIT MODEL	COIL		CFM RANGE (MIN.-MAX.)	COOLING				
	MODEL	WIDTH		RATED CFM	NET MBH		SEER ¹	EER
					TOTAL	SENS.		
TCD42B42S	CF/CM/CU48C	21	1200 - 1600	1400	40.5	32.0	14.00	12.00
TCD42B42S	CF/CM/CU48D	24.5	1200 - 1600	1400	40.5	32.0	14.00	12.00
TCD42B42S	CF/CM/CU60C	21	1200 - 1600	1400	41.0	32.5	14.00	12.00
TCD42B42S	CF/CM/CU60D	24.5	1200 - 1600	1400	41.0	32.5	14.00	12.00
TCD42B42S	CF/CM64D	24.5	1200 - 1600	1400	41.5	32.5	14.00	12.00
TCD42B42S	CF42B	17.5	1200 - 1600	1225	38.5	29.0	14.00	12.00
TCD48B31S	CF/CM/CU48C	21	1400 - 1800	1600	47.5	34.0	14.00	11.75
TCD48B31S	CF/CM/CU48D	24.5	1400 - 1800	1600	47.5	34.2	14.00	11.75
TCD48B31S	CF/CM/CU60C	21	1400 - 1800	1600	48.0	35.8	14.00	12.25
TCD48B31S	CF/CM/CU60D	24.5	1400 - 1800	1600	48.0	35.8	14.50	12.00
TCD48B31S	CF/CM64D	24.5	1400 - 1800	1600	48.0	36.0	14.50	12.25
TCD48B41S	CF/CM/CU48C	21	1400 - 1800	1600	47.5	34.0	14.00	11.75
TCD48B41S	CF/CM/CU48D	24.5	1400 - 1800	1600	47.5	34.2	14.00	11.75
TCD48B41S	CF/CM/CU60C	21	1400 - 1800	1600	48.0	36.0	14.00	12.25
TCD48B41S	CF/CM/CU60D	24.5	1400 - 1800	1600	48.0	36.0	14.50	12.00
TCD48B41S	CF/CM64D	24.5	1400 - 1800	1600	48.0	36.2	14.50	12.25
TCD48B51S	CF/CM/CU48C	21	1400 - 1800	1600	47.5	34.0	14.00	11.75
TCD48B51S	CF/CM/CU48D	24.5	1400 - 1800	1600	47.5	34.2	14.00	11.75
TCD48B51S	CF/CM/CU60C	21	1400 - 1800	1600	48.0	35.8	14.00	12.25
TCD48B51S	CF/CM/CU60D	24.5	1400 - 1800	1600	48.0	35.8	14.50	12.00
TCD48B51S	CF/CM64D	24.5	1400 - 1800	1600	48.0	36.0	14.50	12.25
TCD60B31S	CF/CM/CU60C	21	1520 - 1920	1735	56.0	41.0	13.75	11.50
TCD60B31S	CF/CM/CU60D	24.5	1520 - 1920	1725	56.0	41.5	13.75	11.50
TCD60B31S	CF/CM64D	24.5	1520 - 1920	1775	57.0	41.5	13.75	11.50
TCD60B41S	CF/CM/CU60C	21	1520 - 1920	1735	56.0	41.0	13.75	11.50
TCD60B41S	CF/CM/CU60D	24.5	1520 - 1920	1725	56.0	41.5	13.75	11.50
TCD60B41S	CF/CM64D	24.5	1520 - 1920	1775	57.0	42.0	13.75	11.50
TCD60B51S	CF/CM/CU60C	21	1520 - 1920	1735	56.0	41.0	13.75	11.50
TCD60B51S	CF/CM/CU60D	24.5	1520 - 1920	1725	56.0	41.5	13.75	11.50
TCD60B51S	CF/CM64D	24.5	1520 - 1920	1775	57.0	41.5	13.75	11.50

For rated condition information, see the footnotes below the System Capacity - Single Piece and Modular Air Handlers table.

1. Systems matched with furnaces or air handlers not equipped with blower-off delays may require 60 second time delay.

— = Not Applicable.

MP Modular Air Handlers use Coil Only Ratings.

PSC furnaces, such as the TG8S, TGLS, and TG9S, use Coil Only Ratings.

COOLING CAPACITY - With High Efficiency Motor Furnaces¹

UNIT MODEL	FURNACE		COIL MODEL ²	COOLING				
	MODEL	WIDTH		RATED CFM	NET MBH		SEER	EER
					TOTAL	SENS.		
TCD30B32S	TL8E060A12UH11	14.5	CF/CM/CU30B	850	28.8	21.6	14.75	12.25
TCD30B32S	TL8E060A12UH11	14.5	CF/CM/CU36B	850	29.0	21.8	15.00	12.25
TCD30B32S	TL8E060A12UH11	14.5	CF42B	850	29.0	21.6	15.00	12.25
TCD30B32S	TL8E080C16UH11	21.0	CF/CM/CU36C	950	29.6	23.4	15.50	12.50
TCD30B32S	TL8E080C16UH11	21.0	CF/CM/CU42C	950	29.6	23.0	15.50	12.50
TCD30B32S	TL8E080C16UH11	21.0	CF/CM30C	925	29.0	22.6	15.25	12.25
TCD30B32S	TL8E080C16UH11	21.0	CF/CM36D	950	29.6	23.4	15.25	12.25
TCD30B32S	TL8E080C16UH11	21.0	CF/CM42D	950	29.6	23.0	15.50	12.50
TCD30B32S	TL8E100C20UH11	21.0	CF/CM/CU36C	1050	29.8	24.4	15.50	12.50
TCD30B32S	TL8E100C20UH11	21.0	CF/CM/CU42C	1050	30.0	24.2	15.50	12.50
TCD30B32S	TL8E100C20UH11	21.0	CF/CM30C	1050	29.6	24.2	15.50	12.50
TCD30B32S	TL8E100C20UH11	21.0	CF/CM36D	1050	29.8	24.4	15.50	12.50
TCD30B32S	TL8E100C20UH11	21.0	CF/CM42D	1050	30.0	24.2	15.50	12.50
TCD30B32S	TL9E060B12UH11	17.5	CF/CM/CU30B	850	28.8	21.6	14.75	12.25
TCD30B32S	TL9E060B12UH11	17.5	CF/CM/CU36B	850	29.0	21.8	14.75	12.25
TCD30B32S	TL9E060B12UH11	17.5	CF/CM/CU36C	875	29.0	22.0	14.75	12.25
TCD30B32S	TL9E060B12UH11	17.5	CF/CM/CU42C	875	29.2	22.0	14.75	12.25
TCD30B32S	TL9E060B12UH11	17.5	CF/CM30C	850	28.8	21.6	14.50	12.25
TCD30B32S	TL9E060B12UH11	17.5	CF42B	850	29.0	21.6	14.75	12.25
TCD30B32S	TL9E080C16UH11	21.0	CF/CM/CU36C	900	29.2	22.6	15.50	12.50
TCD30B32S	TL9E080C16UH11	21.0	CF/CM/CU42C	900	29.4	22.4	15.50	12.50
TCD30B32S	TL9E080C16UH11	21.0	CF/CM30C	900	29.2	22.4	15.25	12.25
TCD30B32S	TL9E080C16UH11	21.0	CF/CM36D	900	29.2	22.6	15.25	12.25
TCD30B32S	TL9E080C16UH11	21.0	CF/CM42D	900	29.4	22.4	15.25	12.25
TCD30B32S	TL9E100C20UH11	21.0	CF/CM/CU36C	1125	29.6	24.6	15.25	12.25
TCD30B32S	TL9E100C20UH11	21.0	CF/CM/CU42C	1125	30.0	25.2	15.50	12.50
TCD30B32S	TL9E100C20UH11	21.0	CF/CM30C	1125	29.4	25.0	15.25	12.25
TCD30B32S	TL9E100C20UH11	21.0	CF/CM36D	1150	29.6	24.8	15.25	12.25
TCD30B32S	TL9E100C20UH11	21.0	CF/CM42D	1150	30.0	25.2	15.25	12.25
TCD30B32S	TM9E060A10MP12	14.5	CF/CM/CU36B	825	28.6	21.4	14.75	12.25
TCD30B32S	TM9E060A10MP12	14.5	CF42B	825	29.0	21.4	14.75	12.25
TCD30B32S	TM9E060B12MP12	17.5	CF/CM/CU30B	925	28.8	22.4	14.50	12.25
TCD30B32S	TM9E060B12MP12	17.5	CF/CM/CU36B	925	29.2	22.6	14.75	12.25
TCD30B32S	TM9E060B12MP12	17.5	CF/CM/CU36C	950	29.2	23.0	14.50	12.25
TCD30B32S	TM9E060B12MP12	17.5	CF/CM/CU42C	950	29.4	23.0	14.75	12.25
TCD30B32S	TM9E060B12MP12	17.5	CF/CM30C	950	29.0	22.6	14.50	12.00
TCD30B32S	TM9E060B12MP12	17.5	CF42B	925	29.2	22.4	14.75	12.25
TCD30B32S	TM9E080B12MP12	17.5	CF/CM/CU30B	925	29.0	22.8	14.75	12.25
TCD30B32S	TM9E080B12MP12	17.5	CF/CM/CU36B	925	29.2	22.6	15.00	12.25
TCD30B32S	TM9E080B12MP12	17.5	CF/CM/CU36C	950	29.4	23.2	15.00	12.25
TCD30B32S	TM9E080B12MP12	17.5	CF/CM/CU42C	950	29.6	23.0	15.00	12.25
TCD30B32S	TM9E080B12MP12	17.5	CF/CM30C	950	29.2	22.8	14.75	12.25
TCD30B32S	TM9E080B12MP12	17.5	CF42B	925	29.4	22.6	15.00	12.25
TCD30B32S	TM9E080C16MP12	21.0	CF/CM/CU36C	875	29.2	22.4	15.25	12.25
TCD30B32S	TM9E080C16MP12	21.0	CF/CM/CU42C	875	29.4	22.2	15.25	12.25
TCD30B32S	TM9E080C16MP12	21.0	CF/CM30C	875	29.0	21.8	15.25	12.25
TCD30B32S	TM9E080C16MP12	21.0	CF/CM36D	900	29.2	22.6	15.25	12.25
TCD30B32S	TM9E080C16MP12	21.0	CF/CM42D	900	29.4	22.4	15.25	12.25
TCD30B32S	TM9E100C16MP12	21.0	CF/CM/CU36C	925	29.4	22.6	15.50	12.50
TCD30B32S	TM9E100C16MP12	21.0	CF/CM/CU42C	925	29.6	22.8	15.50	12.50
TCD30B32S	TM9E100C16MP12	21.0	CF/CM30C	925	29.0	22.6	15.25	12.25
TCD30B32S	TM9E100C16MP12	21.0	CF/CM36D	950	29.4	23.2	15.25	12.25
TCD30B32S	TM9E100C16MP12	21.0	CF/CM42D	950	29.6	23.0	15.25	12.25
TCD30B32S	TM9E100C20MP12	21.0	CF/CM/CU36C	1200	30.0	25.6	15.00	12.25

COOLING CAPACITY - With High Efficiency Motor Furnaces¹ (Continued)

UNIT MODEL	FURNACE		COIL MODEL ²	COOLING				
	MODEL	WIDTH		RATED CFM	NET MBH		SEER	EER
					TOTAL	SENS.		
TCD30B32S	TM9V080C16MP11C	21.0	CF/CM/CU36C	950	29.4	23.2	15.50	12.50
TCD30B32S	TM9V080C16MP11C	21.0	CF/CM/CU42C	950	29.6	23.0	15.50	12.50
TCD30B32S	TM9V080C16MP11C	21.0	CF/CM30C	950	29.2	22.8	15.25	12.50
TCD30B32S	TM9V080C16MP11C	21.0	CF/CM36D	950	29.4	23.2	15.25	12.50
TCD30B32S	TM9V080C16MP11C	21.0	CF/CM42D	950	29.6	23.0	15.25	12.50
TCD30B32S	TM9V080C16MP12C	21.0	CF/CM/CU36C	950	29.4	23.2	15.50	12.50
TCD30B32S	TM9V080C16MP12C	21.0	CF/CM/CU42C	950	29.6	23.0	15.50	12.50
TCD30B32S	TM9V080C16MP12C	21.0	CF/CM30C	950	29.2	22.8	15.25	12.50
TCD30B32S	TM9V080C16MP12C	21.0	CF/CM36D	950	29.4	23.2	15.25	12.50
TCD30B32S	TM9V080C16MP12C	21.0	CF/CM42D	950	29.6	23.0	15.25	12.50
TCD30B32S	TP9C080C16MP13C	21.0	CF/CM/CU36C	950	29.4	23.2	15.50	12.50
TCD30B32S	TP9C080C16MP13C	21.0	CF/CM/CU42C	950	29.6	23.0	15.50	12.50
TCD30B32S	TP9C080C16MP13C	21.0	CF/CM30C	950	29.2	22.8	15.25	12.50
TCD30B32S	TP9C080C16MP13C	21.0	CF/CM36D	950	29.4	23.2	15.25	12.50
TCD30B32S	TP9C080C16MP13C	21.0	CF/CM42D	950	29.6	23.0	15.25	12.50
TCD30B32S	YP9C080C16MP13C	21.0	CF/CM/CU36C	950	29.4	23.2	15.50	12.50
TCD30B32S	YP9C080C16MP13C	21.0	CF/CM/CU42C	950	29.6	23.0	15.50	12.50
TCD30B32S	YP9C080C16MP13C	21.0	CF/CM30C	950	29.2	22.8	15.25	12.50
TCD30B32S	YP9C080C16MP13C	21.0	CF/CM36D	950	29.4	23.2	15.25	12.50
TCD30B32S	YP9C080C16MP13C	21.0	CF/CM42D	950	29.6	23.0	15.25	12.50
TCD30B42S	TL8E060A12UH11	14.5	CF/CM/CU30B	850	28.8	21.6	14.75	12.25
TCD30B42S	TL8E060A12UH11	14.5	CF/CM/CU36B	850	29.0	21.8	15.00	12.25
TCD30B42S	TL8E060A12UH11	14.5	CF42B	850	29.0	21.6	15.00	12.25
TCD30B42S	TL8E080C16UH11	21.0	CF/CM/CU36C	950	29.6	23.4	15.50	12.50
TCD30B42S	TL8E080C16UH11	21.0	CF/CM/CU42C	950	29.6	23.0	15.50	12.50
TCD30B42S	TL8E080C16UH11	21.0	CF/CM30C	925	29.0	22.6	15.25	12.25
TCD30B42S	TL8E080C16UH11	21.0	CF/CM36D	950	29.6	23.4	15.25	12.25
TCD30B42S	TL8E080C16UH11	21.0	CF/CM42D	950	29.6	23.0	15.50	12.50
TCD30B42S	TL8E100C20UH11	21.0	CF/CM/CU36C	1050	29.8	24.4	15.50	12.50
TCD30B42S	TL8E100C20UH11	21.0	CF/CM/CU42C	1050	30.0	24.2	15.50	12.50
TCD30B42S	TL8E100C20UH11	21.0	CF/CM30C	1050	29.6	24.2	15.50	12.50
TCD30B42S	TL8E100C20UH11	21.0	CF/CM36D	1050	29.8	24.4	15.50	12.50
TCD30B42S	TL8E100C20UH11	21.0	CF/CM42D	1050	30.0	24.2	15.50	12.50
TCD30B42S	TL9E060B12UH11	17.5	CF/CM/CU30B	850	28.8	21.6	14.75	12.25
TCD30B42S	TL9E060B12UH11	17.5	CF/CM/CU36B	850	29.0	21.8	14.75	12.25
TCD30B42S	TL9E060B12UH11	17.5	CF/CM/CU36C	875	29.0	22.0	14.75	12.25
TCD30B42S	TL9E060B12UH11	17.5	CF/CM/CU42C	875	29.2	22.0	14.75	12.25
TCD30B42S	TL9E060B12UH11	17.5	CF/CM30C	850	28.8	21.6	14.50	12.25
TCD30B42S	TL9E060B12UH11	17.5	CF42B	850	29.0	21.6	14.75	12.25
TCD30B42S	TL9E080C16UH11	21.0	CF/CM/CU36C	900	29.2	22.6	15.50	12.50
TCD30B42S	TL9E080C16UH11	21.0	CF/CM/CU42C	900	29.4	22.4	15.50	12.50
TCD30B42S	TL9E080C16UH11	21.0	CF/CM30C	900	29.2	22.4	15.25	12.25
TCD30B42S	TL9E080C16UH11	21.0	CF/CM36D	900	29.2	22.6	15.25	12.25
TCD30B42S	TL9E080C16UH11	21.0	CF/CM42D	900	29.4	22.4	15.25	12.25
TCD30B42S	TL9E100C20UH11	21.0	CF/CM/CU36C	1125	29.6	24.6	15.25	12.25
TCD30B42S	TL9E100C20UH11	21.0	CF/CM/CU42C	1125	30.0	25.2	15.50	12.50
TCD30B42S	TL9E100C20UH11	21.0	CF/CM30C	1125	29.4	25.0	15.25	12.25
TCD30B42S	TL9E100C20UH11	21.0	CF/CM36D	1150	29.6	24.8	15.25	12.25
TCD30B42S	TL9E100C20UH11	21.0	CF/CM42D	1150	30.0	25.2	15.25	12.25
TCD30B42S	TM9E060A10MP12	14.5	CF/CM/CU36B	825	28.6	21.4	14.75	12.25
TCD30B42S	TM9E060A10MP12	14.5	CF42B	825	29.0	21.4	14.75	12.25
TCD30B42S	TM9E060B12MP12	17.5	CF/CM/CU30B	925	28.8	22.4	14.50	12.25
TCD30B42S	TM9E060B12MP12	17.5	CF/CM/CU36B	925	29.2	22.6	14.75	12.25

COOLING CAPACITY - With High Efficiency Motor Furnaces¹ (Continued)

UNIT MODEL	FURNACE		COIL MODEL ²	COOLING				
	MODEL	WIDTH		RATED CFM	NET MBH		SEER	EER
					TOTAL	SENS.		
TCD30B42S	TM9E060B12MP12	17.5	CF/CM/CU36C	950	29.2	23.0	14.50	12.25
TCD30B42S	TM9E060B12MP12	17.5	CF/CM/CU42C	950	29.4	23.0	14.75	12.25
TCD30B42S	TM9E060B12MP12	17.5	CF/CM30C	950	29.0	22.6	14.50	12.00
TCD30B42S	TM9E060B12MP12	17.5	CF42B	925	29.2	22.4	14.75	12.25
TCD30B42S	TM9E080B12MP12	17.5	CF/CM/CU30B	925	29.0	22.8	14.75	12.25
TCD30B42S	TM9E080B12MP12	17.5	CF/CM/CU36B	925	29.2	22.6	15.00	12.25
TCD30B42S	TM9E080B12MP12	17.5	CF/CM/CU36C	950	29.4	23.2	15.00	12.25
TCD30B42S	TM9E080B12MP12	17.5	CF/CM/CU42C	950	29.6	23.0	15.00	12.25
TCD30B42S	TM9E080B12MP12	17.5	CF/CM30C	950	29.2	22.8	14.75	12.25
TCD30B42S	TM9E080B12MP12	17.5	CF42B	925	29.4	22.6	15.00	12.25
TCD30B42S	TM9E080C16MP12	21.0	CF/CM/CU36C	875	29.2	22.4	15.25	12.25
TCD30B42S	TM9E080C16MP12	21.0	CF/CM/CU42C	875	29.4	22.2	15.25	12.25
TCD30B42S	TM9E080C16MP12	21.0	CF/CM30C	875	29.0	21.8	15.25	12.25
TCD30B42S	TM9E080C16MP12	21.0	CF/CM36D	900	29.2	22.6	15.25	12.25
TCD30B42S	TM9E080C16MP12	21.0	CF/CM42D	900	29.4	22.4	15.25	12.25
TCD30B42S	TM9E100C16MP12	21.0	CF/CM/CU36C	925	29.4	22.6	15.50	12.50
TCD30B42S	TM9E100C16MP12	21.0	CF/CM/CU42C	925	29.6	22.8	15.50	12.50
TCD30B42S	TM9E100C16MP12	21.0	CF/CM30C	925	29.0	22.6	15.25	12.25
TCD30B42S	TM9E100C16MP12	21.0	CF/CM36D	950	29.4	23.2	15.25	12.25
TCD30B42S	TM9E100C16MP12	21.0	CF/CM42D	950	29.6	23.0	15.25	12.25
TCD30B42S	TM9E100C20MP12	21.0	CF/CM/CU36C	1200	30.0	25.6	15.00	12.25
TCD30B42S	TM9V080C16MP11C	21.0	CF/CM/CU36C	950	29.4	23.2	15.50	12.50
TCD30B42S	TM9V080C16MP11C	21.0	CF/CM/CU42C	950	29.6	23.0	15.50	12.50
TCD30B42S	TM9V080C16MP11C	21.0	CF/CM30C	950	29.2	22.8	15.25	12.50
TCD30B42S	TM9V080C16MP11C	21.0	CF/CM36D	950	29.4	23.2	15.25	12.50
TCD30B42S	TM9V080C16MP11C	21.0	CF/CM42D	950	29.6	23.0	15.25	12.50
TCD30B42S	TM9V080C16MP12C	21.0	CF/CM/CU36C	950	29.4	23.2	15.50	12.50
TCD30B42S	TM9V080C16MP12C	21.0	CF/CM/CU42C	950	29.6	23.0	15.50	12.50
TCD30B42S	TM9V080C16MP12C	21.0	CF/CM30C	950	29.2	22.8	15.25	12.50
TCD30B42S	TM9V080C16MP12C	21.0	CF/CM36D	950	29.4	23.2	15.25	12.50
TCD30B42S	TM9V080C16MP12C	21.0	CF/CM42D	950	29.6	23.0	15.25	12.50
TCD30B42S	TP9C080C16MP13C	21.0	CF/CM/CU36C	950	29.4	23.2	15.50	12.50
TCD30B42S	TP9C080C16MP13C	21.0	CF/CM/CU42C	950	29.6	23.0	15.50	12.50
TCD30B42S	TP9C080C16MP13C	21.0	CF/CM30C	950	29.2	22.8	15.25	12.50
TCD30B42S	TP9C080C16MP13C	21.0	CF/CM36D	950	29.4	23.2	15.25	12.50
TCD30B42S	TP9C080C16MP13C	21.0	CF/CM42D	950	29.6	23.0	15.25	12.50
TCD30B42S	YP9C080C16MP13C	21.0	CF/CM/CU36C	950	29.4	23.2	15.50	12.50
TCD30B42S	YP9C080C16MP13C	21.0	CF/CM/CU42C	950	29.6	23.0	15.50	12.50
TCD30B42S	YP9C080C16MP13C	21.0	CF/CM30C	950	29.2	22.8	15.25	12.50
TCD30B42S	YP9C080C16MP13C	21.0	CF/CM36D	950	29.4	23.2	15.25	12.50
TCD30B42S	YP9C080C16MP13C	21.0	CF/CM42D	950	29.6	23.0	15.25	12.50
TCD36B32S	TL8E060A12UH11	14.5	CF/CM/CU36B	1025	36.0	26.6	14.75	12.00
TCD36B32S	TL8E060A12UH11	14.5	CF42B	1025	36.0	26.0	14.75	12.25
TCD36B32S	TL8E080C16UH11	21.0	CF/CM/CU36C	1125	36.0	27.4	15.50	12.50
TCD36B32S	TL8E080C16UH11	21.0	CF/CM/CU42C	1125	36.0	27.0	15.50	12.50
TCD36B32S	TL8E080C16UH11	21.0	CF/CM/CU48C	1125	36.0	27.4	15.50	12.50
TCD36B32S	TL8E080C16UH11	21.0	CF/CM/CU48D	1125	36.0	27.4	15.50	12.50
TCD36B32S	TL8E080C16UH11	21.0	CF/CM36D	1125	36.0	27.4	15.25	12.25
TCD36B32S	TL8E080C16UH11	21.0	CF/CM42D	1125	36.0	27.0	15.25	12.25
TCD36B32S	TL8E100C20UH11	21.0	CF/CM/CU36C	1050	36.0	26.8	15.75	12.75
TCD36B32S	TL8E100C20UH11	21.0	CF/CM/CU42C	1050	36.0	26.4	15.75	12.75
TCD36B32S	TL8E100C20UH11	21.0	CF/CM/CU48C	1050	36.0	26.8	15.75	12.75
TCD36B32S	TL8E100C20UH11	21.0	CF/CM/CU48D	1050	36.0	26.8	15.75	12.75

COOLING CAPACITY - With High Efficiency Motor Furnaces¹ (Continued)

UNIT MODEL	FURNACE		COIL MODEL ²	COOLING				
	MODEL	WIDTH		RATED CFM	NET MBH		SEER	EER
					TOTAL	SENS.		
TCD36B32S	TL8E100C20UH11	21.0	CF/CM36D	1050	36.0	26.8	15.50	12.50
TCD36B32S	TL8E100C20UH11	21.0	CF/CM42D	1050	36.0	26.4	15.75	12.75
TCD36B32S	TL9E060B12UH11	17.5	CF/CM/CU36B	1025	36.0	26.8	14.75	12.00
TCD36B32S	TL9E060B12UH11	17.5	CF/CM/CU36C	1050	36.0	26.8	14.50	12.00
TCD36B32S	TL9E060B12UH11	17.5	CF/CM/CU42C	1050	36.0	26.6	14.75	12.00
TCD36B32S	TL9E060B12UH11	17.5	CF/CM/CU48C	1050	36.0	26.8	14.75	12.00
TCD36B32S	TL9E060B12UH11	17.5	CF42B	1025	36.0	26.0	14.75	12.25
TCD36B32S	TL9E080C16UH11	21.0	CF/CM/CU36C	1075	36.0	27.0	15.25	12.25
TCD36B32S	TL9E080C16UH11	21.0	CF/CM/CU42C	1075	36.0	26.6	15.25	12.25
TCD36B32S	TL9E080C16UH11	21.0	CF/CM/CU48C	1075	36.0	27.0	15.50	12.50
TCD36B32S	TL9E080C16UH11	21.0	CF/CM/CU48D	1100	36.0	27.0	15.25	12.25
TCD36B32S	TL9E080C16UH11	21.0	CF/CM36D	1100	36.0	27.2	15.25	12.25
TCD36B32S	TL9E080C16UH11	21.0	CF/CM42D	1100	36.0	26.8	15.25	12.25
TCD36B32S	TL9E100C20UH11	21.0	CF/CM/CU36C	1125	36.0	27.4	15.50	12.50
TCD36B32S	TL9E100C20UH11	21.0	CF/CM/CU42C	1125	36.0	27.0	15.75	12.75
TCD36B32S	TL9E100C20UH11	21.0	CF/CM/CU48C	1125	36.0	27.4	15.75	12.75
TCD36B32S	TL9E100C20UH11	21.0	CF/CM/CU48D	1150	36.0	27.4	15.50	12.50
TCD36B32S	TL9E100C20UH11	21.0	CF/CM36D	1150	36.0	27.6	15.50	12.50
TCD36B32S	TL9E100C20UH11	21.0	CF/CM42D	1150	36.0	27.2	15.50	12.50
TCD36B32S	TM9E060A10MP12	14.5	CF/CM/CU36B	1025	35.8	26.6	14.25	12.00
TCD36B32S	TM9E060A10MP12	14.5	CF42B	1025	36.0	26.0	14.25	12.00
TCD36B32S	TM9E060B12MP11	17.5	CF/CM/CU36B	1100	36.0	27.2	14.50	12.25
TCD36B32S	TM9E060B12MP12	17.5	CF/CM/CU36B	1075	36.0	27.0	14.50	12.00
TCD36B32S	TM9E060B12MP12	17.5	CF/CM/CU36C	1100	36.0	27.2	14.50	12.00
TCD36B32S	TM9E060B12MP12	17.5	CF/CM/CU42C	1100	36.0	26.8	14.50	12.00
TCD36B32S	TM9E060B12MP12	17.5	CF/CM/CU48C	1100	36.0	27.0	14.75	12.00
TCD36B32S	TM9E060B12MP12	17.5	CF42B	1050	36.0	26.6	14.50	12.00
TCD36B32S	TM9E080B12MP12	17.5	CF/CM/CU36B	1050	36.0	26.6	15.00	12.25
TCD36B32S	TM9E080B12MP12	17.5	CF/CM/CU36C	1075	36.0	27.0	15.00	12.25
TCD36B32S	TM9E080B12MP12	17.5	CF/CM/CU42C	1075	36.0	26.6	15.00	12.25
TCD36B32S	TM9E080B12MP12	17.5	CF/CM/CU48C	1075	36.0	27.0	15.00	12.25
TCD36B32S	TM9E080B12MP12	17.5	CF42B	1025	36.0	26.0	15.00	12.25
TCD36B32S	TM9E080C16MP12	21.0	CF/CM/CU36C	1075	36.0	27.0	15.25	12.25
TCD36B32S	TM9E080C16MP12	21.0	CF/CM/CU42C	1075	36.0	26.6	15.25	12.25
TCD36B32S	TM9E080C16MP12	21.0	CF/CM/CU48C	1100	36.0	27.0	15.50	12.50
TCD36B32S	TM9E080C16MP12	21.0	CF/CM/CU48D	1100	36.0	27.0	15.25	12.25
TCD36B32S	TM9E080C16MP12	21.0	CF/CM36D	1100	36.0	27.2	15.25	12.25
TCD36B32S	TM9E080C16MP12	21.0	CF/CM42D	1100	36.0	26.8	15.25	12.25
TCD36B32S	TM9E080C20MP12	21.0	CF/CM/CU36C	1225	36.0	28.6	15.50	12.50
TCD36B32S	TM9E080C20MP12	21.0	CF/CM/CU42C	1225	36.0	27.8	15.50	12.50
TCD36B32S	TM9E080C20MP12	21.0	CF/CM/CU48C	1225	36.0	28.2	15.50	12.50
TCD36B32S	TM9E080C20MP12	21.0	CF/CM/CU48D	1250	36.0	28.2	15.50	12.50
TCD36B32S	TM9E080C20MP12	21.0	CF/CM36D	1250	36.0	28.2	15.50	12.50
TCD36B32S	TM9E080C20MP12	21.0	CF/CM42D	1250	36.0	28.0	15.50	12.50
TCD36B32S	TM9E100C16MP12	21.0	CF/CM/CU36C	1075	36.0	27.0	15.50	12.50
TCD36B32S	TM9E100C16MP12	21.0	CF/CM/CU42C	1075	36.0	26.6	15.50	12.50
TCD36B32S	TM9E100C16MP12	21.0	CF/CM/CU48C	1075	36.0	27.0	15.50	12.50
TCD36B32S	TM9E100C16MP12	21.0	CF/CM/CU48D	1075	36.0	27.0	15.50	12.50
TCD36B32S	TM9E100C16MP12	21.0	CF/CM36D	1075	36.0	27.0	15.25	12.25
TCD36B32S	TM9E100C16MP12	21.0	CF/CM42D	1075	36.0	26.6	15.25	12.25
TCD36B32S	TM9E100C20MP12	21.0	CF/CM/CU36C	1200	36.0	28.4	15.50	12.50
TCD36B32S	TM9E100C20MP12	21.0	CF/CM/CU42C	1225	36.0	27.8	15.50	12.50
TCD36B32S	TM9E100C20MP12	21.0	CF/CM/CU48C	1225	36.0	28.2	15.50	12.50

COOLING CAPACITY - With High Efficiency Motor Furnaces¹ (Continued)

UNIT MODEL	FURNACE		COIL MODEL ²	COOLING				
	MODEL	WIDTH		RATED CFM	NET MBH		SEER	EER
					TOTAL	SENS.		
TCD36B32S	TM9E100C20MP12	21.0	CF/CM/CU48D	1225	36.0	28.2	15.50	12.50
TCD36B32S	TM9E100C20MP12	21.0	CF/CM36D	1225	36.0	28.6	15.50	12.50
TCD36B32S	TM9E100C20MP12	21.0	CF/CM42D	1225	36.0	27.8	15.50	12.50
TCD36B32S	TM9E120D20MP12	24.5	CF/CM/CU48D	1250	36.0	28.2	15.50	12.50
TCD36B32S	TM9E120D20MP12	24.5	CF/CM36D	1250	36.0	28.2	15.50	12.50
TCD36B32S	TM9E120D20MP12	24.5	CF/CM42D	1250	36.0	28.0	15.50	12.50
TCD36B32S	TM9V080C16MP11C	21.0	CF/CM/CU36C	1025	36.0	26.6	15.25	12.25
TCD36B32S	TM9V080C16MP11C	21.0	CF/CM/CU42C	1025	36.0	26.0	15.50	12.50
TCD36B32S	TM9V080C16MP11C	21.0	CF/CM/CU48C	1025	36.0	26.4	15.50	12.50
TCD36B32S	TM9V080C16MP11C	21.0	CF/CM/CU48D	1025	36.0	26.4	15.50	12.50
TCD36B32S	TM9V080C16MP11C	21.0	CF/CM36D	1025	36.0	26.6	15.50	12.50
TCD36B32S	TM9V080C16MP11C	21.0	CF/CM42D	1025	36.0	26.0	15.50	12.50
TCD36B32S	TM9V080C16MP12C	21.0	CF/CM/CU36C	1025	36.0	26.6	15.25	12.25
TCD36B32S	TM9V080C16MP12C	21.0	CF/CM/CU42C	1025	36.0	26.0	15.50	12.50
TCD36B32S	TM9V080C16MP12C	21.0	CF/CM/CU48C	1025	36.0	26.4	15.50	12.50
TCD36B32S	TM9V080C16MP12C	21.0	CF/CM/CU48D	1025	36.0	26.4	15.50	12.50
TCD36B32S	TM9V080C16MP12C	21.0	CF/CM36D	1025	36.0	26.6	15.50	12.50
TCD36B32S	TM9V080C16MP12C	21.0	CF/CM42D	1025	36.0	26.0	15.50	12.50
TCD36B32S	TM9Y060B12MP11	17.5	CF/CM/CU36B	1100	36.0	27.2	14.50	12.25
TCD36B32S	TP9C080C16MP13C	21.0	CF/CM/CU36C	1025	36.0	26.6	15.25	12.25
TCD36B32S	TP9C080C16MP13C	21.0	CF/CM/CU42C	1025	36.0	26.0	15.50	12.50
TCD36B32S	TP9C080C16MP13C	21.0	CF/CM/CU48C	1025	36.0	26.4	15.50	12.50
TCD36B32S	TP9C080C16MP13C	21.0	CF/CM/CU48D	1025	36.0	26.4	15.50	12.50
TCD36B32S	TP9C080C16MP13C	21.0	CF/CM36D	1025	36.0	26.6	15.50	12.50
TCD36B32S	TP9C080C16MP13C	21.0	CF/CM42D	1025	36.0	26.0	15.50	12.50
TCD36B32S	YP9C080C16MP13C	21.0	CF/CM/CU36C	1025	36.0	26.6	15.25	12.25
TCD36B32S	YP9C080C16MP13C	21.0	CF/CM/CU42C	1025	36.0	26.0	15.50	12.50
TCD36B32S	YP9C080C16MP13C	21.0	CF/CM/CU48C	1025	36.0	26.4	15.50	12.50
TCD36B32S	YP9C080C16MP13C	21.0	CF/CM/CU48D	1025	36.0	26.4	15.50	12.50
TCD36B32S	YP9C080C16MP13C	21.0	CF/CM36D	1025	36.0	26.6	15.50	12.50
TCD36B32S	YP9C080C16MP13C	21.0	CF/CM42D	1025	36.0	26.0	15.50	12.50
TCD36B42S	TL8E060A12UH11	14.5	CF/CM/CU36B	1025	36.0	26.6	14.75	12.00
TCD36B42S	TL8E060A12UH11	14.5	CF42B	1025	36.0	26.0	14.75	12.25
TCD36B42S	TL8E080C16UH11	21.0	CF/CM/CU36C	1125	36.0	27.4	15.50	12.50
TCD36B42S	TL8E080C16UH11	21.0	CF/CM/CU42C	1125	36.0	27.0	15.50	12.50
TCD36B42S	TL8E080C16UH11	21.0	CF/CM/CU48C	1125	36.0	27.4	15.50	12.50
TCD36B42S	TL8E080C16UH11	21.0	CF/CM/CU48D	1125	36.0	27.4	15.50	12.50
TCD36B42S	TL8E080C16UH11	21.0	CF/CM36D	1125	36.0	27.4	15.25	12.25
TCD36B42S	TL8E080C16UH11	21.0	CF/CM42D	1125	36.0	27.0	15.25	12.25
TCD36B42S	TL8E100C20UH11	21.0	CF/CM/CU36C	1050	36.0	26.8	15.75	12.75
TCD36B42S	TL8E100C20UH11	21.0	CF/CM/CU42C	1050	36.0	26.4	15.75	12.75
TCD36B42S	TL8E100C20UH11	21.0	CF/CM/CU48C	1050	36.0	26.8	15.75	12.75
TCD36B42S	TL8E100C20UH11	21.0	CF/CM/CU48D	1050	36.0	26.8	15.75	12.75
TCD36B42S	TL8E100C20UH11	21.0	CF/CM36D	1050	36.0	26.8	15.50	12.50
TCD36B42S	TL8E100C20UH11	21.0	CF/CM42D	1050	36.0	26.4	15.75	12.75
TCD36B42S	TL9E060B12UH11	17.5	CF/CM/CU36B	1025	36.0	26.8	14.75	12.00
TCD36B42S	TL9E060B12UH11	17.5	CF/CM/CU36C	1050	36.0	26.8	14.50	12.00
TCD36B42S	TL9E060B12UH11	17.5	CF/CM/CU42C	1050	36.0	26.6	14.75	12.00
TCD36B42S	TL9E060B12UH11	17.5	CF/CM/CU48C	1050	36.0	26.8	14.75	12.00
TCD36B42S	TL9E060B12UH11	17.5	CF42B	1025	36.0	26.0	14.75	12.25
TCD36B42S	TL9E080C16UH11	21.0	CF/CM/CU36C	1075	36.0	27.0	15.25	12.25
TCD36B42S	TL9E080C16UH11	21.0	CF/CM/CU42C	1075	36.0	26.6	15.25	12.25
TCD36B42S	TL9E080C16UH11	21.0	CF/CM/CU48C	1075	36.0	27.0	15.50	12.50

COOLING CAPACITY - With High Efficiency Motor Furnaces¹ (Continued)

UNIT MODEL	FURNACE		COIL MODEL ²	COOLING				
	MODEL	WIDTH		RATED CFM	NET MBH		SEER	EER
					TOTAL	SENS.		
TCD36B42S	TL9E080C16UH11	21.0	CF/CM/CU48D	1100	36.0	27.0	15.25	12.25
TCD36B42S	TL9E080C16UH11	21.0	CF/CM36D	1100	36.0	27.2	15.25	12.25
TCD36B42S	TL9E080C16UH11	21.0	CF/CM42D	1100	36.0	26.8	15.25	12.25
TCD36B42S	TL9E100C20UH11	21.0	CF/CM/CU36C	1125	36.0	27.4	15.50	12.50
TCD36B42S	TL9E100C20UH11	21.0	CF/CM/CU42C	1125	36.0	27.0	15.75	12.75
TCD36B42S	TL9E100C20UH11	21.0	CF/CM/CU48C	1125	36.0	27.4	15.75	12.75
TCD36B42S	TL9E100C20UH11	21.0	CF/CM/CU48D	1150	36.0	27.4	15.50	12.50
TCD36B42S	TL9E100C20UH11	21.0	CF/CM36D	1150	36.0	27.6	15.50	12.50
TCD36B42S	TL9E100C20UH11	21.0	CF/CM42D	1150	36.0	27.2	15.50	12.50
TCD36B42S	TM8E060A12MP11	14.5	CF/CM/CU36B	1025	36.0	26.6	15.00	12.25
TCD36B42S	TM8E060A12MP11	14.5	CF42B	1000	36.0	26.0	15.00	12.25
TCD36B42S	TM8E080B12MP11	17.5	CF/CM/CU36B	1025	36.0	26.6	15.00	12.25
TCD36B42S	TM8E080B12MP11	17.5	CF/CM/CU36C	1050	36.0	26.8	15.00	12.25
TCD36B42S	TM8E080B12MP11	17.5	CF/CM/CU42C	1050	36.0	26.6	15.00	12.25
TCD36B42S	TM8E080B12MP11	17.5	CF/CM/CU48C	1050	36.0	26.6	15.25	12.25
TCD36B42S	TM8E080B12MP11	17.5	CF42B	1025	36.0	26.0	15.00	12.25
TCD36B42S	TM8E080C16MP11	21.0	CF/CM/CU36C	1100	36.0	27.2	15.50	12.50
TCD36B42S	TM8E080C16MP11	21.0	CF/CM/CU42C	1100	36.0	26.8	15.50	12.50
TCD36B42S	TM8E080C16MP11	21.0	CF/CM/CU48C	1100	36.0	27.0	15.75	12.75
TCD36B42S	TM8E080C16MP11	21.0	CF/CM/CU48D	1100	36.0	27.0	15.50	12.50
TCD36B42S	TM8E080C16MP11	21.0	CF/CM36D	1125	36.0	27.4	15.50	12.50
TCD36B42S	TM8E080C16MP11	21.0	CF/CM42D	1125	36.0	27.0	15.50	12.50
TCD36B42S	TM8E080C20MP11	21.0	CF/CM/CU36C	1250	36.0	28.2	15.50	12.50
TCD36B42S	TM8E080C20MP11	21.0	CF/CM/CU42C	1250	36.0	28.0	15.50	12.50
TCD36B42S	TM8E080C20MP11	21.0	CF/CM/CU48C	1250	36.0	28.2	15.50	12.50
TCD36B42S	TM8E080C20MP11	21.0	CF/CM/CU48D	1275	36.0	28.4	15.50	12.50
TCD36B42S	TM8E080C20MP11	21.0	CF/CM36D	1275	36.0	28.8	15.50	12.50
TCD36B42S	TM8E080C20MP11	21.0	CF/CM42D	1275	36.0	28.2	15.50	12.50
TCD36B42S	TM8E100B12MP11	17.5	CF/CM/CU36B	1075	36.0	27.0	15.00	12.25
TCD36B42S	TM8E100B12MP11	17.5	CF/CM/CU36C	1100	36.0	27.4	15.00	12.25
TCD36B42S	TM8E100B12MP11	17.5	CF/CM/CU42C	1100	36.0	26.8	15.00	12.25
TCD36B42S	TM8E100B12MP11	17.5	CF/CM/CU48C	1100	36.0	26.8	15.25	12.25
TCD36B42S	TM8E100B12MP11	17.5	CF42B	1050	36.0	26.6	15.00	12.25
TCD36B42S	TM8E100C16MP11	21.0	CF/CM/CU36C	1125	36.0	27.4	15.50	12.50
TCD36B42S	TM8E100C16MP11	21.0	CF/CM/CU42C	1125	36.0	27.0	15.50	12.50
TCD36B42S	TM8E100C16MP11	21.0	CF/CM/CU48C	1125	36.0	27.4	15.50	12.50
TCD36B42S	TM8E100C16MP11	21.0	CF/CM/CU48D	1125	36.0	27.4	15.50	12.50
TCD36B42S	TM8E100C16MP11	21.0	CF/CM36D	1125	36.0	27.4	15.25	12.25
TCD36B42S	TM8E100C16MP11	21.0	CF/CM42D	1125	36.0	27.0	15.50	12.50
TCD36B42S	TM8E100C20MP11	21.0	CF/CM/CU36C	1250	36.0	28.2	15.50	12.50
TCD36B42S	TM8E100C20MP11	21.0	CF/CM/CU42C	1250	36.0	28.0	15.50	12.50
TCD36B42S	TM8E100C20MP11	21.0	CF/CM/CU48C	1250	36.0	28.2	15.50	12.50
TCD36B42S	TM8E100C20MP11	21.0	CF/CM/CU48D	1275	36.0	28.4	15.50	12.50
TCD36B42S	TM8E100C20MP11	21.0	CF/CM36D	1275	36.0	28.8	15.50	12.50
TCD36B42S	TM8E100C20MP11	21.0	CF/CM42D	1275	36.0	28.2	15.50	12.50
TCD36B42S	TM8E120C16MP11	21.0	CF/CM/CU36C	1125	36.0	27.4	15.50	12.50
TCD36B42S	TM8E120C16MP11	21.0	CF/CM/CU42C	1125	36.0	27.0	15.50	12.50
TCD36B42S	TM8E120C16MP11	21.0	CF/CM/CU48C	1125	36.0	27.4	15.50	12.50
TCD36B42S	TM8E120C16MP11	21.0	CF/CM/CU48D	1125	36.0	27.4	15.50	12.50
TCD36B42S	TM8E120C16MP11	21.0	CF/CM36D	1125	36.0	27.4	15.25	12.25
TCD36B42S	TM8E120C16MP11	21.0	CF/CM42D	1125	36.0	27.0	15.50	12.50
TCD36B42S	TM8E120C20MP11	21.0	CF/CM/CU36C	1275	36.0	28.8	15.50	12.50
TCD36B42S	TM8E120C20MP11	21.0	CF/CM/CU42C	1275	36.0	28.2	15.50	12.50

COOLING CAPACITY - With High Efficiency Motor Furnaces¹ (Continued)

UNIT MODEL	FURNACE		COIL MODEL ²	COOLING				
	MODEL	WIDTH		RATED CFM	NET MBH		SEER	EER
					TOTAL	SENS.		
TCD36B42S	TM8E120C20MP11	21.0	CF/CM/CU48C	1300	36.0	28.6	15.50	12.50
TCD36B42S	TM8E120C20MP11	21.0	CF/CM/CU48D	1300	36.0	28.6	15.50	12.50
TCD36B42S	TM8E120C20MP11	21.0	CF/CM36D	1300	36.0	27.8	14.75	12.25
TCD36B42S	TM8E120C20MP11	21.0	CF/CM42D	1300	36.0	28.6	15.25	12.25
TCD36B42S	TM8E130D20MP11	24.5	CF/CM/CU48D	1300	36.0	28.6	15.50	12.50
TCD36B42S	TM8E130D20MP11	24.5	CF/CM36D	1300	36.0	27.8	15.00	12.25
TCD36B42S	TM8E130D20MP11	24.5	CF/CM42D	1300	36.0	28.6	15.50	12.50
TCD36B42S	TM9E060A10MP12	14.5	CF/CM/CU36B	1025	35.8	26.6	14.25	12.00
TCD36B42S	TM9E060A10MP12	14.5	CF42B	1025	36.0	26.0	14.25	12.00
TCD36B42S	TM9E060B12MP12	17.5	CF/CM/CU36B	1075	36.0	27.0	14.50	12.00
TCD36B42S	TM9E060B12MP12	17.5	CF/CM/CU36C	1100	36.0	27.2	14.50	12.00
TCD36B42S	TM9E060B12MP12	17.5	CF/CM/CU42C	1100	36.0	26.8	14.50	12.00
TCD36B42S	TM9E060B12MP12	17.5	CF/CM/CU48C	1100	36.0	27.0	14.75	12.00
TCD36B42S	TM9E060B12MP12	17.5	CF42B	1050	36.0	26.6	14.50	12.00
TCD36B42S	TM9E080B12MP12	17.5	CF/CM/CU36B	1050	36.0	26.6	15.00	12.25
TCD36B42S	TM9E080B12MP12	17.5	CF/CM/CU36C	1075	36.0	27.0	15.00	12.25
TCD36B42S	TM9E080B12MP12	17.5	CF/CM/CU42C	1075	36.0	26.6	15.00	12.25
TCD36B42S	TM9E080B12MP12	17.5	CF/CM/CU48C	1075	36.0	27.0	15.00	12.25
TCD36B42S	TM9E080B12MP12	17.5	CF42B	1025	36.0	26.0	15.00	12.25
TCD36B42S	TM9E080C16MP12	21.0	CF/CM/CU36C	1075	36.0	27.0	15.25	12.25
TCD36B42S	TM9E080C16MP12	21.0	CF/CM/CU42C	1075	36.0	26.6	15.25	12.25
TCD36B42S	TM9E080C16MP12	21.0	CF/CM/CU48C	1100	36.0	27.0	15.50	12.50
TCD36B42S	TM9E080C16MP12	21.0	CF/CM/CU48D	1100	36.0	27.0	15.25	12.25
TCD36B42S	TM9E080C16MP12	21.0	CF/CM36D	1100	36.0	27.2	15.25	12.25
TCD36B42S	TM9E080C16MP12	21.0	CF/CM42D	1100	36.0	26.8	15.25	12.25
TCD36B42S	TM9E080C20MP12	21.0	CF/CM/CU36C	1225	36.0	28.6	15.50	12.50
TCD36B42S	TM9E080C20MP12	21.0	CF/CM/CU42C	1225	36.0	27.8	15.50	12.50
TCD36B42S	TM9E080C20MP12	21.0	CF/CM/CU48C	1225	36.0	28.2	15.50	12.50
TCD36B42S	TM9E080C20MP12	21.0	CF/CM/CU48D	1250	36.0	28.2	15.50	12.50
TCD36B42S	TM9E080C20MP12	21.0	CF/CM36D	1250	36.0	28.2	15.50	12.50
TCD36B42S	TM9E080C20MP12	21.0	CF/CM42D	1250	36.0	28.0	15.50	12.50
TCD36B42S	TM9E100C16MP12	21.0	CF/CM/CU36C	1075	36.0	27.0	15.50	12.50
TCD36B42S	TM9E100C16MP12	21.0	CF/CM/CU42C	1075	36.0	26.6	15.50	12.50
TCD36B42S	TM9E100C16MP12	21.0	CF/CM/CU48C	1075	36.0	27.0	15.50	12.50
TCD36B42S	TM9E100C16MP12	21.0	CF/CM/CU48D	1075	36.0	27.0	15.50	12.50
TCD36B42S	TM9E100C16MP12	21.0	CF/CM36D	1075	36.0	27.0	15.25	12.25
TCD36B42S	TM9E100C16MP12	21.0	CF/CM42D	1075	36.0	26.6	15.25	12.25
TCD36B42S	TM9E100C20MP12	21.0	CF/CM/CU36C	1200	36.0	28.4	15.50	12.50
TCD36B42S	TM9E100C20MP12	21.0	CF/CM/CU42C	1225	36.0	27.8	15.50	12.50
TCD36B42S	TM9E100C20MP12	21.0	CF/CM/CU48C	1225	36.0	28.2	15.50	12.50
TCD36B42S	TM9E100C20MP12	21.0	CF/CM/CU48D	1225	36.0	28.2	15.50	12.50
TCD36B42S	TM9E100C20MP12	21.0	CF/CM36D	1225	36.0	28.6	15.50	12.50
TCD36B42S	TM9E100C20MP12	21.0	CF/CM42D	1225	36.0	27.8	15.50	12.50
TCD36B42S	TM9E120D20MP12	24.5	CF/CM/CU48D	1250	36.0	28.2	15.50	12.50
TCD36B42S	TM9E120D20MP12	24.5	CF/CM36D	1250	36.0	28.2	15.50	12.50
TCD36B42S	TM9E120D20MP12	24.5	CF/CM42D	1250	36.0	28.0	15.50	12.50
TCD36B42S	TM9V080C16MP11C	21.0	CF/CM/CU36C	1025	36.0	26.6	15.25	12.25
TCD36B42S	TM9V080C16MP11C	21.0	CF/CM/CU42C	1025	36.0	26.0	15.50	12.50
TCD36B42S	TM9V080C16MP11C	21.0	CF/CM/CU48C	1025	36.0	26.4	15.50	12.50
TCD36B42S	TM9V080C16MP11C	21.0	CF/CM/CU48D	1025	36.0	26.4	15.50	12.50
TCD36B42S	TM9V080C16MP11C	21.0	CF/CM36D	1025	36.0	26.6	15.50	12.50
TCD36B42S	TM9V080C16MP11C	21.0	CF/CM42D	1025	36.0	26.0	15.50	12.50
TCD36B42S	TM9V080C16MP12C	21.0	CF/CM/CU36C	1025	36.0	26.6	15.25	12.25

COOLING CAPACITY - With High Efficiency Motor Furnaces¹ (Continued)

UNIT MODEL	FURNACE		COIL MODEL ²	COOLING				
	MODEL	WIDTH		RATED CFM	NET MBH		SEER	EER
					TOTAL	SENS.		
TCD36B42S	TM9V080C16MP12C	21.0	CF/CM/CU42C	1025	36.0	26.0	15.50	12.50
TCD36B42S	TM9V080C16MP12C	21.0	CF/CM/CU48C	1025	36.0	26.4	15.50	12.50
TCD36B42S	TM9V080C16MP12C	21.0	CF/CM/CU48D	1025	36.0	26.4	15.50	12.50
TCD36B42S	TM9V080C16MP12C	21.0	CF/CM36D	1025	36.0	26.6	15.50	12.50
TCD36B42S	TM9V080C16MP12C	21.0	CF/CM42D	1025	36.0	26.0	15.50	12.50
TCD36B42S	TMLE060A12MP11	14.5	CF/CM/CU36B	1025	36.0	26.6	15.00	12.25
TCD36B42S	TMLE060A12MP11	14.5	CF42B	1000	36.0	26.0	15.00	12.25
TCD36B42S	TMLE080B12MP11	17.5	CF/CM/CU36B	1025	36.0	26.6	15.00	12.25
TCD36B42S	TMLE080B12MP11	17.5	CF/CM/CU36C	1050	36.0	26.8	15.00	12.25
TCD36B42S	TMLE080B12MP11	17.5	CF/CM/CU42C	1050	36.0	26.6	15.00	12.25
TCD36B42S	TMLE080B12MP11	17.5	CF/CM/CU48C	1050	36.0	26.6	15.25	12.25
TCD36B42S	TMLE080B12MP11	17.5	CF42B	1025	36.0	26.0	15.00	12.25
TCD36B42S	TMLE080C16MP11	21.0	CF/CM/CU36C	1100	36.0	27.2	15.50	12.50
TCD36B42S	TMLE080C16MP11	21.0	CF/CM/CU42C	1100	36.0	26.8	15.50	12.50
TCD36B42S	TMLE080C16MP11	21.0	CF/CM/CU48C	1100	36.0	27.0	15.75	12.75
TCD36B42S	TMLE080C16MP11	21.0	CF/CM/CU48D	1100	36.0	27.0	15.50	12.50
TCD36B42S	TMLE080C16MP11	21.0	CF/CM36D	1125	36.0	27.4	15.50	12.50
TCD36B42S	TMLE080C16MP11	21.0	CF/CM42D	1125	36.0	27.0	15.50	12.50
TCD36B42S	TMLE080C20MP11	21.0	CF/CM/CU36C	1250	36.0	28.2	15.50	12.50
TCD36B42S	TMLE080C20MP11	21.0	CF/CM/CU42C	1250	36.0	28.0	15.50	12.50
TCD36B42S	TMLE080C20MP11	21.0	CF/CM/CU48C	1250	36.0	28.2	15.50	12.50
TCD36B42S	TMLE080C20MP11	21.0	CF/CM/CU48D	1275	36.0	28.4	15.50	12.50
TCD36B42S	TMLE080C20MP11	21.0	CF/CM36D	1275	36.0	28.8	15.50	12.50
TCD36B42S	TMLE080C20MP11	21.0	CF/CM42D	1275	36.0	28.2	15.50	12.50
TCD36B42S	TMLE100B12MP11	17.5	CF/CM/CU36B	1075	36.0	27.0	15.00	12.25
TCD36B42S	TMLE100B12MP11	17.5	CF/CM/CU36C	1100	36.0	27.4	15.00	12.25
TCD36B42S	TMLE100B12MP11	17.5	CF/CM/CU42C	1100	36.0	26.8	15.00	12.25
TCD36B42S	TMLE100B12MP11	17.5	CF/CM/CU48C	1100	36.0	26.8	15.25	12.25
TCD36B42S	TMLE100B12MP11	17.5	CF42B	1050	36.0	26.6	15.00	12.25
TCD36B42S	TMLE100C16MP11	21.0	CF/CM/CU36C	1125	36.0	27.4	15.50	12.50
TCD36B42S	TMLE100C16MP11	21.0	CF/CM/CU42C	1125	36.0	27.0	15.50	12.50
TCD36B42S	TMLE100C16MP11	21.0	CF/CM/CU48C	1125	36.0	27.4	15.50	12.50
TCD36B42S	TMLE100C16MP11	21.0	CF/CM/CU48D	1125	36.0	27.4	15.50	12.50
TCD36B42S	TMLE100C16MP11	21.0	CF/CM36D	1125	36.0	27.4	15.25	12.25
TCD36B42S	TMLE100C16MP11	21.0	CF/CM42D	1125	36.0	27.0	15.50	12.50
TCD36B42S	TMLE100C20MP11	21.0	CF/CM/CU36C	1250	36.0	28.2	15.50	12.50
TCD36B42S	TMLE100C20MP11	21.0	CF/CM/CU42C	1250	36.0	28.0	15.50	12.50
TCD36B42S	TMLE100C20MP11	21.0	CF/CM/CU48C	1250	36.0	28.2	15.50	12.50
TCD36B42S	TMLE100C20MP11	21.0	CF/CM/CU48D	1275	36.0	28.4	15.50	12.50
TCD36B42S	TMLE100C20MP11	21.0	CF/CM36D	1275	36.0	28.8	15.50	12.50
TCD36B42S	TMLE100C20MP11	21.0	CF/CM42D	1275	36.0	28.2	15.50	12.50
TCD36B42S	TMLE120C16MP11	21.0	CF/CM/CU36C	1125	36.0	27.4	15.50	12.50
TCD36B42S	TMLE120C16MP11	21.0	CF/CM/CU42C	1125	36.0	27.0	15.50	12.50
TCD36B42S	TMLE120C16MP11	21.0	CF/CM/CU48C	1125	36.0	27.4	15.50	12.50
TCD36B42S	TMLE120C16MP11	21.0	CF/CM/CU48D	1125	36.0	27.4	15.50	12.50
TCD36B42S	TMLE120C16MP11	21.0	CF/CM36D	1125	36.0	27.4	15.25	12.25
TCD36B42S	TMLE120C16MP11	21.0	CF/CM42D	1125	36.0	27.0	15.50	12.50
TCD36B42S	TMLE120C20MP11	21.0	CF/CM/CU36C	1275	36.0	28.8	15.50	12.50
TCD36B42S	TMLE120C20MP11	21.0	CF/CM/CU42C	1275	36.0	28.2	15.50	12.50
TCD36B42S	TMLE120C20MP11	21.0	CF/CM/CU48C	1300	36.0	28.6	15.50	12.50
TCD36B42S	TMLE120C20MP11	21.0	CF/CM/CU48D	1300	36.0	28.6	15.50	12.50
TCD36B42S	TMLE120C20MP11	21.0	CF/CM36D	1300	36.0	27.8	14.75	12.25
TCD36B42S	TMLE120C20MP11	21.0	CF/CM42D	1300	36.0	28.6	15.25	12.25
TCD36B42S	TMLE130D20MP11	24.5	CF/CM/CU48D	1300	36.0	28.6	15.50	12.50

COOLING CAPACITY - With High Efficiency Motor Furnaces¹ (Continued)

UNIT MODEL	FURNACE		COIL MODEL ²	COOLING				
	MODEL	WIDTH		RATED CFM	NET MBH		SEER	EER
					TOTAL	SENS.		
TCD36B42S	TMLE130D20MP11	24.5	CF/CM36D	1300	36.0	27.8	15.00	12.25
TCD36B42S	TMLE130D20MP11	24.5	CF/CM42D	1300	36.0	28.6	15.50	12.50
TCD36B42S	TP9C080C16MP13C	21.0	CF/CM/CU36C	1025	36.0	26.6	15.25	12.25
TCD36B42S	TP9C080C16MP13C	21.0	CF/CM/CU42C	1025	36.0	26.0	15.50	12.50
TCD36B42S	TP9C080C16MP13C	21.0	CF/CM/CU48C	1025	36.0	26.4	15.50	12.50
TCD36B42S	TP9C080C16MP13C	21.0	CF/CM/CU48D	1025	36.0	26.4	15.50	12.50
TCD36B42S	TP9C080C16MP13C	21.0	CF/CM36D	1025	36.0	26.6	15.50	12.50
TCD36B42S	TP9C080C16MP13C	21.0	CF/CM42D	1025	36.0	26.0	15.50	12.50
TCD36B42S	YP9C080C16MP13C	21.0	CF/CM/CU36C	1025	36.0	26.6	15.25	12.25
TCD36B42S	YP9C080C16MP13C	21.0	CF/CM/CU42C	1025	36.0	26.0	15.50	12.50
TCD36B42S	YP9C080C16MP13C	21.0	CF/CM/CU48C	1025	36.0	26.4	15.50	12.50
TCD36B42S	YP9C080C16MP13C	21.0	CF/CM/CU48D	1025	36.0	26.4	15.50	12.50
TCD36B42S	YP9C080C16MP13C	21.0	CF/CM36D	1025	36.0	26.6	15.50	12.50
TCD36B42S	YP9C080C16MP13C	21.0	CF/CM42D	1025	36.0	26.0	15.50	12.50
TCD36B52S	TL8E060A12UH11	14.5	CF/CM/CU36B	1025	36.0	26.6	14.75	12.00
TCD36B52S	TL8E060A12UH11	14.5	CF42B	1025	36.0	26.0	14.75	12.25
TCD36B52S	TL8E080C16UH11	21.0	CF/CM/CU36C	1125	36.0	27.4	15.50	12.50
TCD36B52S	TL8E080C16UH11	21.0	CF/CM/CU42C	1125	36.0	27.0	15.50	12.50
TCD36B52S	TL8E080C16UH11	21.0	CF/CM/CU48C	1125	36.0	27.4	15.50	12.50
TCD36B52S	TL8E080C16UH11	21.0	CF/CM/CU48D	1125	36.0	27.4	15.50	12.50
TCD36B52S	TL8E080C16UH11	21.0	CF/CM36D	1125	36.0	27.4	15.25	12.25
TCD36B52S	TL8E080C16UH11	21.0	CF/CM42D	1125	36.0	27.0	15.25	12.25
TCD36B52S	TL8E100C20UH11	21.0	CF/CM/CU36C	1050	36.0	26.8	15.75	12.75
TCD36B52S	TL8E100C20UH11	21.0	CF/CM/CU42C	1050	36.0	26.4	15.75	12.75
TCD36B52S	TL8E100C20UH11	21.0	CF/CM/CU48C	1050	36.0	26.8	15.75	12.75
TCD36B52S	TL8E100C20UH11	21.0	CF/CM/CU48D	1050	36.0	26.8	15.75	12.75
TCD36B52S	TL8E100C20UH11	21.0	CF/CM36D	1050	36.0	26.8	15.50	12.50
TCD36B52S	TL8E100C20UH11	21.0	CF/CM42D	1050	36.0	26.4	15.75	12.75
TCD36B52S	TL9E060B12UH11	17.5	CF/CM/CU36B	1025	36.0	26.8	14.75	12.00
TCD36B52S	TL9E060B12UH11	17.5	CF/CM/CU36C	1050	36.0	26.8	14.50	12.00
TCD36B52S	TL9E060B12UH11	17.5	CF/CM/CU42C	1050	36.0	26.6	14.75	12.00
TCD36B52S	TL9E060B12UH11	17.5	CF/CM/CU48C	1050	36.0	26.8	14.75	12.00
TCD36B52S	TL9E060B12UH11	17.5	CF42B	1025	36.0	26.0	14.75	12.25
TCD36B52S	TL9E080C16UH11	21.0	CF/CM/CU36C	1075	36.0	27.0	15.25	12.25
TCD36B52S	TL9E080C16UH11	21.0	CF/CM/CU42C	1075	36.0	26.6	15.25	12.25
TCD36B52S	TL9E080C16UH11	21.0	CF/CM/CU48C	1075	36.0	27.0	15.50	12.50
TCD36B52S	TL9E080C16UH11	21.0	CF/CM/CU48D	1100	36.0	27.0	15.25	12.25
TCD36B52S	TL9E080C16UH11	21.0	CF/CM36D	1100	36.0	27.2	15.25	12.25
TCD36B52S	TL9E080C16UH11	21.0	CF/CM42D	1100	36.0	26.8	15.25	12.25
TCD36B52S	TL9E100C20UH11	21.0	CF/CM/CU36C	1125	36.0	27.4	15.50	12.50
TCD36B52S	TL9E100C20UH11	21.0	CF/CM/CU42C	1125	36.0	27.0	15.75	12.75
TCD36B52S	TL9E100C20UH11	21.0	CF/CM/CU48C	1125	36.0	27.4	15.75	12.75
TCD36B52S	TL9E100C20UH11	21.0	CF/CM/CU48D	1150	36.0	27.4	15.50	12.50
TCD36B52S	TL9E100C20UH11	21.0	CF/CM36D	1150	36.0	27.6	15.50	12.50
TCD36B52S	TL9E100C20UH11	21.0	CF/CM42D	1150	36.0	27.2	15.50	12.50
TCD36B52S	TM8E060A12MP11	14.5	CF/CM/CU36B	1025	36.0	26.6	15.00	12.25
TCD36B52S	TM8E060A12MP11	14.5	CF42B	1000	36.0	26.0	15.00	12.25
TCD36B52S	TM8E080B12MP11	17.5	CF/CM/CU36B	1025	36.0	26.6	15.00	12.25
TCD36B52S	TM8E080B12MP11	17.5	CF/CM/CU36C	1050	36.0	26.8	15.00	12.25
TCD36B52S	TM8E080B12MP11	17.5	CF/CM/CU42C	1050	36.0	26.6	15.00	12.25
TCD36B52S	TM8E080B12MP11	17.5	CF/CM/CU48C	1050	36.0	26.6	15.25	12.25
TCD36B52S	TM8E080B12MP11	17.5	CF42B	1025	36.0	26.0	15.00	12.25
TCD36B52S	TM8E080C16MP11	21.0	CF/CM/CU36C	1100	36.0	27.2	15.50	12.50

COOLING CAPACITY - With High Efficiency Motor Furnaces¹ (Continued)

UNIT MODEL	FURNACE		COIL MODEL ²	COOLING				
	MODEL	WIDTH		RATED CFM	NET MBH		SEER	EER
					TOTAL	SENS.		
TCD36B52S	TM8E080C16MP11	21.0	CF/CM/CU42C	1100	36.0	26.8	15.50	12.50
TCD36B52S	TM8E080C16MP11	21.0	CF/CM/CU48C	1100	36.0	27.0	15.75	12.75
TCD36B52S	TM8E080C16MP11	21.0	CF/CM/CU48D	1100	36.0	27.0	15.50	12.50
TCD36B52S	TM8E080C16MP11	21.0	CF/CM36D	1125	36.0	27.4	15.50	12.50
TCD36B52S	TM8E080C16MP11	21.0	CF/CM42D	1125	36.0	27.0	15.50	12.50
TCD36B52S	TM8E080C20MP11	21.0	CF/CM/CU36C	1250	36.0	28.2	15.50	12.50
TCD36B52S	TM8E080C20MP11	21.0	CF/CM/CU42C	1250	36.0	28.0	15.50	12.50
TCD36B52S	TM8E080C20MP11	21.0	CF/CM/CU48C	1250	36.0	28.2	15.50	12.50
TCD36B52S	TM8E080C20MP11	21.0	CF/CM/CU48D	1275	36.0	28.4	15.50	12.50
TCD36B52S	TM8E080C20MP11	21.0	CF/CM36D	1275	36.0	28.8	15.50	12.50
TCD36B52S	TM8E080C20MP11	21.0	CF/CM42D	1275	36.0	28.2	15.50	12.50
TCD36B52S	TM8E100B12MP11	17.5	CF/CM/CU36B	1075	36.0	27.0	15.00	12.25
TCD36B52S	TM8E100B12MP11	17.5	CF/CM/CU36C	1100	36.0	27.4	15.00	12.25
TCD36B52S	TM8E100B12MP11	17.5	CF/CM/CU42C	1100	36.0	26.8	15.00	12.25
TCD36B52S	TM8E100B12MP11	17.5	CF/CM/CU48C	1100	36.0	26.8	15.25	12.25
TCD36B52S	TM8E100B12MP11	17.5	CF42B	1050	36.0	26.6	15.00	12.25
TCD36B52S	TM8E100C16MP11	21.0	CF/CM/CU36C	1125	36.0	27.4	15.50	12.50
TCD36B52S	TM8E100C16MP11	21.0	CF/CM/CU42C	1125	36.0	27.0	15.50	12.50
TCD36B52S	TM8E100C16MP11	21.0	CF/CM/CU48C	1125	36.0	27.4	15.50	12.50
TCD36B52S	TM8E100C16MP11	21.0	CF/CM/CU48D	1125	36.0	27.4	15.50	12.50
TCD36B52S	TM8E100C16MP11	21.0	CF/CM36D	1125	36.0	27.4	15.25	12.25
TCD36B52S	TM8E100C16MP11	21.0	CF/CM42D	1125	36.0	27.0	15.50	12.50
TCD36B52S	TM8E100C20MP11	21.0	CF/CM/CU36C	1250	36.0	28.2	15.50	12.50
TCD36B52S	TM8E100C20MP11	21.0	CF/CM/CU42C	1250	36.0	28.0	15.50	12.50
TCD36B52S	TM8E100C20MP11	21.0	CF/CM/CU48C	1250	36.0	28.2	15.50	12.50
TCD36B52S	TM8E100C20MP11	21.0	CF/CM/CU48D	1275	36.0	28.4	15.50	12.50
TCD36B52S	TM8E100C20MP11	21.0	CF/CM36D	1275	36.0	28.8	15.50	12.50
TCD36B52S	TM8E100C20MP11	21.0	CF/CM42D	1275	36.0	28.2	15.50	12.50
TCD36B52S	TM8E120C16MP11	21.0	CF/CM/CU36C	1125	36.0	27.4	15.50	12.50
TCD36B52S	TM8E120C16MP11	21.0	CF/CM/CU42C	1125	36.0	27.0	15.50	12.50
TCD36B52S	TM8E120C16MP11	21.0	CF/CM/CU48C	1125	36.0	27.4	15.50	12.50
TCD36B52S	TM8E120C16MP11	21.0	CF/CM/CU48D	1125	36.0	27.4	15.50	12.50
TCD36B52S	TM8E120C16MP11	21.0	CF/CM36D	1125	36.0	27.4	15.25	12.25
TCD36B52S	TM8E120C16MP11	21.0	CF/CM42D	1125	36.0	27.0	15.50	12.50
TCD36B52S	TM8E120C20MP11	21.0	CF/CM/CU36C	1275	36.0	28.8	15.50	12.50
TCD36B52S	TM8E120C20MP11	21.0	CF/CM/CU42C	1275	36.0	28.2	15.50	12.50
TCD36B52S	TM8E120C20MP11	21.0	CF/CM/CU48C	1300	36.0	28.6	15.50	12.50
TCD36B52S	TM8E120C20MP11	21.0	CF/CM/CU48D	1300	36.0	28.6	15.50	12.50
TCD36B52S	TM8E120C20MP11	21.0	CF/CM36D	1300	36.0	27.8	14.75	12.25
TCD36B52S	TM8E120C20MP11	21.0	CF/CM42D	1300	36.0	28.6	15.25	12.25
TCD36B52S	TM8E130D20MP11	24.5	CF/CM/CU48D	1300	36.0	28.6	15.50	12.50
TCD36B52S	TM8E130D20MP11	24.5	CF/CM36D	1300	36.0	27.8	15.00	12.25
TCD36B52S	TM8E130D20MP11	24.5	CF/CM42D	1300	36.0	28.6	15.50	12.50
TCD36B52S	TM9E060A10MP12	14.5	CF/CM/CU36B	1025	35.8	26.6	14.25	12.00
TCD36B52S	TM9E060A10MP12	14.5	CF42B	1025	36.0	26.0	14.25	12.00
TCD36B52S	TM9E060B12MP12	17.5	CF/CM/CU36B	1075	36.0	27.0	14.50	12.00
TCD36B52S	TM9E060B12MP12	17.5	CF/CM/CU36C	1100	36.0	27.2	14.50	12.00
TCD36B52S	TM9E060B12MP12	17.5	CF/CM/CU42C	1100	36.0	26.8	14.50	12.00
TCD36B52S	TM9E060B12MP12	17.5	CF/CM/CU48C	1100	36.0	27.0	14.75	12.00
TCD36B52S	TM9E060B12MP12	17.5	CF42B	1050	36.0	26.6	14.50	12.00
TCD36B52S	TM9E080B12MP12	17.5	CF/CM/CU36B	1050	36.0	26.6	15.00	12.25
TCD36B52S	TM9E080B12MP12	17.5	CF/CM/CU36C	1075	36.0	27.0	15.00	12.25
TCD36B52S	TM9E080B12MP12	17.5	CF/CM/CU42C	1075	36.0	26.6	15.00	12.25

COOLING CAPACITY - With High Efficiency Motor Furnaces¹ (Continued)

UNIT MODEL	FURNACE		COIL MODEL ²	COOLING				
	MODEL	WIDTH		RATED CFM	NET MBH		SEER	EER
					TOTAL	SENS.		
TCD36B52S	TM9E080B12MP12	17.5	CF/CM/CU48C	1075	36.0	27.0	15.00	12.25
TCD36B52S	TM9E080B12MP12	17.5	CF42B	1025	36.0	26.0	15.00	12.25
TCD36B52S	TM9E080C16MP12	21.0	CF/CM/CU36C	1075	36.0	27.0	15.25	12.25
TCD36B52S	TM9E080C16MP12	21.0	CF/CM/CU42C	1075	36.0	26.6	15.25	12.25
TCD36B52S	TM9E080C16MP12	21.0	CF/CM/CU48C	1100	36.0	27.0	15.50	12.50
TCD36B52S	TM9E080C16MP12	21.0	CF/CM/CU48D	1100	36.0	27.0	15.25	12.25
TCD36B52S	TM9E080C16MP12	21.0	CF/CM36D	1100	36.0	27.2	15.25	12.25
TCD36B52S	TM9E080C16MP12	21.0	CF/CM42D	1100	36.0	26.8	15.25	12.25
TCD36B52S	TM9E080C20MP12	21.0	CF/CM/CU36C	1225	36.0	28.6	15.50	12.50
TCD36B52S	TM9E080C20MP12	21.0	CF/CM/CU42C	1225	36.0	27.8	15.50	12.50
TCD36B52S	TM9E080C20MP12	21.0	CF/CM/CU48C	1225	36.0	28.2	15.50	12.50
TCD36B52S	TM9E080C20MP12	21.0	CF/CM/CU48D	1250	36.0	28.2	15.50	12.50
TCD36B52S	TM9E080C20MP12	21.0	CF/CM36D	1250	36.0	28.2	15.50	12.50
TCD36B52S	TM9E080C20MP12	21.0	CF/CM42D	1250	36.0	28.0	15.50	12.50
TCD36B52S	TM9E100C16MP12	21.0	CF/CM/CU36C	1075	36.0	27.0	15.50	12.50
TCD36B52S	TM9E100C16MP12	21.0	CF/CM/CU42C	1075	36.0	26.6	15.50	12.50
TCD36B52S	TM9E100C16MP12	21.0	CF/CM/CU48C	1075	36.0	27.0	15.50	12.50
TCD36B52S	TM9E100C16MP12	21.0	CF/CM/CU48D	1075	36.0	27.0	15.50	12.50
TCD36B52S	TM9E100C16MP12	21.0	CF/CM36D	1075	36.0	27.0	15.25	12.25
TCD36B52S	TM9E100C16MP12	21.0	CF/CM42D	1075	36.0	26.6	15.25	12.25
TCD36B52S	TM9E100C20MP12	21.0	CF/CM/CU36C	1200	36.0	28.4	15.50	12.50
TCD36B52S	TM9E100C20MP12	21.0	CF/CM/CU42C	1225	36.0	27.8	15.50	12.50
TCD36B52S	TM9E100C20MP12	21.0	CF/CM/CU48C	1225	36.0	28.2	15.50	12.50
TCD36B52S	TM9E100C20MP12	21.0	CF/CM/CU48D	1225	36.0	28.2	15.50	12.50
TCD36B52S	TM9E100C20MP12	21.0	CF/CM36D	1225	36.0	28.6	15.50	12.50
TCD36B52S	TM9E100C20MP12	21.0	CF/CM42D	1225	36.0	27.8	15.50	12.50
TCD36B52S	TM9E120D20MP12	24.5	CF/CM/CU48D	1250	36.0	28.2	15.50	12.50
TCD36B52S	TM9E120D20MP12	24.5	CF/CM36D	1250	36.0	28.2	15.50	12.50
TCD36B52S	TM9E120D20MP12	24.5	CF/CM42D	1250	36.0	28.0	15.50	12.50
TCD36B52S	TM9V080C16MP11C	21.0	CF/CM/CU36C	1025	36.0	26.6	15.25	12.25
TCD36B52S	TM9V080C16MP11C	21.0	CF/CM/CU42C	1025	36.0	26.0	15.50	12.50
TCD36B52S	TM9V080C16MP11C	21.0	CF/CM/CU48C	1025	36.0	26.4	15.50	12.50
TCD36B52S	TM9V080C16MP11C	21.0	CF/CM/CU48D	1025	36.0	26.4	15.50	12.50
TCD36B52S	TM9V080C16MP11C	21.0	CF/CM36D	1025	36.0	26.6	15.50	12.50
TCD36B52S	TM9V080C16MP11C	21.0	CF/CM42D	1025	36.0	26.0	15.50	12.50
TCD36B52S	TM9V080C16MP12C	21.0	CF/CM/CU36C	1025	36.0	26.6	15.25	12.25
TCD36B52S	TM9V080C16MP12C	21.0	CF/CM/CU42C	1025	36.0	26.0	15.50	12.50
TCD36B52S	TM9V080C16MP12C	21.0	CF/CM/CU48C	1025	36.0	26.4	15.50	12.50
TCD36B52S	TM9V080C16MP12C	21.0	CF/CM/CU48D	1025	36.0	26.4	15.50	12.50
TCD36B52S	TM9V080C16MP12C	21.0	CF/CM36D	1025	36.0	26.6	15.50	12.50
TCD36B52S	TM9V080C16MP12C	21.0	CF/CM42D	1025	36.0	26.0	15.50	12.50
TCD36B52S	TMLE060A12MP11	14.5	CF/CM/CU36B	1025	36.0	26.6	15.00	12.25
TCD36B52S	TMLE060A12MP11	14.5	CF42B	1000	36.0	26.0	15.00	12.25
TCD36B52S	TMLE080B12MP11	17.5	CF/CM/CU36B	1025	36.0	26.6	15.00	12.25
TCD36B52S	TMLE080B12MP11	17.5	CF/CM/CU36C	1050	36.0	26.8	15.00	12.25
TCD36B52S	TMLE080B12MP11	17.5	CF/CM/CU42C	1050	36.0	26.6	15.00	12.25
TCD36B52S	TMLE080B12MP11	17.5	CF/CM/CU48C	1050	36.0	26.6	15.25	12.25
TCD36B52S	TMLE080B12MP11	17.5	CF42B	1025	36.0	26.0	15.00	12.25
TCD36B52S	TMLE080C16MP11	21.0	CF/CM/CU36C	1100	36.0	27.2	15.50	12.50
TCD36B52S	TMLE080C16MP11	21.0	CF/CM/CU42C	1100	36.0	26.8	15.50	12.50
TCD36B52S	TMLE080C16MP11	21.0	CF/CM/CU48C	1100	36.0	27.0	15.75	12.75
TCD36B52S	TMLE080C16MP11	21.0	CF/CM/CU48D	1100	36.0	27.0	15.50	12.50
TCD36B52S	TMLE080C16MP11	21.0	CF/CM36D	1125	36.0	27.4	15.50	12.50

COOLING CAPACITY - With High Efficiency Motor Furnaces¹ (Continued)

UNIT MODEL	FURNACE		COIL MODEL ²	COOLING				
	MODEL	WIDTH		RATED CFM	NET MBH		SEER	EER
					TOTAL	SENS.		
TCD36B52S	TMLE080C16MP11	21.0	CF/CM42D	1125	36.0	27.0	15.50	12.50
TCD36B52S	TMLE080C20MP11	21.0	CF/CM/CU36C	1250	36.0	28.2	15.50	12.50
TCD36B52S	TMLE080C20MP11	21.0	CF/CM/CU42C	1250	36.0	28.0	15.50	12.50
TCD36B52S	TMLE080C20MP11	21.0	CF/CM/CU48C	1250	36.0	28.2	15.50	12.50
TCD36B52S	TMLE080C20MP11	21.0	CF/CM/CU48D	1275	36.0	28.4	15.50	12.50
TCD36B52S	TMLE080C20MP11	21.0	CF/CM36D	1275	36.0	28.8	15.50	12.50
TCD36B52S	TMLE080C20MP11	21.0	CF/CM42D	1275	36.0	28.2	15.50	12.50
TCD36B52S	TMLE100B12MP11	17.5	CF/CM/CU36B	1075	36.0	27.0	15.00	12.25
TCD36B52S	TMLE100B12MP11	17.5	CF/CM/CU36C	1100	36.0	27.4	15.00	12.25
TCD36B52S	TMLE100B12MP11	17.5	CF/CM/CU42C	1100	36.0	26.8	15.00	12.25
TCD36B52S	TMLE100B12MP11	17.5	CF/CM/CU48C	1100	36.0	26.8	15.25	12.25
TCD36B52S	TMLE100B12MP11	17.5	CF42B	1050	36.0	26.6	15.00	12.25
TCD36B52S	TMLE100C16MP11	21.0	CF/CM/CU36C	1125	36.0	27.4	15.50	12.50
TCD36B52S	TMLE100C16MP11	21.0	CF/CM/CU42C	1125	36.0	27.0	15.50	12.50
TCD36B52S	TMLE100C16MP11	21.0	CF/CM/CU48C	1125	36.0	27.4	15.50	12.50
TCD36B52S	TMLE100C16MP11	21.0	CF/CM/CU48D	1125	36.0	27.4	15.50	12.50
TCD36B52S	TMLE100C16MP11	21.0	CF/CM36D	1125	36.0	27.4	15.25	12.25
TCD36B52S	TMLE100C16MP11	21.0	CF/CM42D	1125	36.0	27.0	15.50	12.50
TCD36B52S	TMLE100C20MP11	21.0	CF/CM/CU36C	1250	36.0	28.2	15.50	12.50
TCD36B52S	TMLE100C20MP11	21.0	CF/CM/CU42C	1250	36.0	28.0	15.50	12.50
TCD36B52S	TMLE100C20MP11	21.0	CF/CM/CU48C	1250	36.0	28.2	15.50	12.50
TCD36B52S	TMLE100C20MP11	21.0	CF/CM/CU48D	1275	36.0	28.4	15.50	12.50
TCD36B52S	TMLE100C20MP11	21.0	CF/CM36D	1275	36.0	28.8	15.50	12.50
TCD36B52S	TMLE100C20MP11	21.0	CF/CM42D	1275	36.0	28.2	15.50	12.50
TCD36B52S	TMLE120C16MP11	21.0	CF/CM/CU36C	1125	36.0	27.4	15.50	12.50
TCD36B52S	TMLE120C16MP11	21.0	CF/CM/CU42C	1125	36.0	27.0	15.50	12.50
TCD36B52S	TMLE120C16MP11	21.0	CF/CM/CU48C	1125	36.0	27.4	15.50	12.50
TCD36B52S	TMLE120C16MP11	21.0	CF/CM/CU48D	1125	36.0	27.4	15.50	12.50
TCD36B52S	TMLE120C16MP11	21.0	CF/CM36D	1125	36.0	27.4	15.25	12.25
TCD36B52S	TMLE120C16MP11	21.0	CF/CM42D	1125	36.0	27.0	15.50	12.50
TCD36B52S	TMLE120C20MP11	21.0	CF/CM/CU36C	1275	36.0	28.8	15.50	12.50
TCD36B52S	TMLE120C20MP11	21.0	CF/CM/CU42C	1275	36.0	28.2	15.50	12.50
TCD36B52S	TMLE120C20MP11	21.0	CF/CM/CU48C	1300	36.0	28.6	15.50	12.50
TCD36B52S	TMLE120C20MP11	21.0	CF/CM/CU48D	1300	36.0	28.6	15.50	12.50
TCD36B52S	TMLE120C20MP11	21.0	CF/CM36D	1300	36.0	27.8	14.75	12.25
TCD36B52S	TMLE120C20MP11	21.0	CF/CM42D	1300	36.0	28.6	15.25	12.25
TCD36B52S	TMLE130D20MP11	24.5	CF/CM/CU48D	1300	36.0	28.6	15.50	12.50
TCD36B52S	TMLE130D20MP11	24.5	CF/CM36D	1300	36.0	27.8	15.00	12.25
TCD36B52S	TMLE130D20MP11	24.5	CF/CM42D	1300	36.0	28.6	15.50	12.50
TCD36B52S	TP9C080C16MP13C	21.0	CF/CM/CU36C	1025	36.0	26.6	15.25	12.25
TCD36B52S	TP9C080C16MP13C	21.0	CF/CM/CU42C	1025	36.0	26.0	15.50	12.50
TCD36B52S	TP9C080C16MP13C	21.0	CF/CM/CU48C	1025	36.0	26.4	15.50	12.50
TCD36B52S	TP9C080C16MP13C	21.0	CF/CM/CU48D	1025	36.0	26.4	15.50	12.50
TCD36B52S	TP9C080C16MP13C	21.0	CF/CM36D	1025	36.0	26.6	15.50	12.50
TCD36B52S	TP9C080C16MP13C	21.0	CF/CM42D	1025	36.0	26.0	15.50	12.50
TCD36B52S	YP9C080C16MP13C	21.0	CF/CM/CU36C	1025	36.0	26.6	15.25	12.25
TCD36B52S	YP9C080C16MP13C	21.0	CF/CM/CU42C	1025	36.0	26.0	15.50	12.50
TCD36B52S	YP9C080C16MP13C	21.0	CF/CM/CU48C	1025	36.0	26.4	15.50	12.50
TCD36B52S	YP9C080C16MP13C	21.0	CF/CM/CU48D	1025	36.0	26.4	15.50	12.50
TCD36B52S	YP9C080C16MP13C	21.0	CF/CM36D	1025	36.0	26.6	15.50	12.50
TCD36B52S	YP9C080C16MP13C	21.0	CF/CM42D	1025	36.0	26.0	15.50	12.50
TCD42B32S	TL8E080C16UH11	21.0	CF/CM/CU42C	1275	40.5	31.2	15.00	12.25
TCD42B32S	TL8E080C16UH11	21.0	CF/CM/CU48C	1275	41.0	31.2	15.00	12.25

COOLING CAPACITY - With High Efficiency Motor Furnaces¹ (Continued)

UNIT MODEL	FURNACE		COIL MODEL ²	COOLING				
	MODEL	WIDTH		RATED CFM	NET MBH		SEER	EER
					TOTAL	SENS.		
TCD42B32S	TL8E080C16UH11	21.0	CF/CM/CU48D	1300	41.0	31.4	15.00	12.25
TCD42B32S	TL8E080C16UH11	21.0	CF/CM/CU60C	1275	40.5	30.6	14.75	12.25
TCD42B32S	TL8E080C16UH11	21.0	CF/CM/CU60D	1300	41.0	31.6	15.25	12.25
TCD42B32S	TL8E080C16UH11	21.0	CF/CM42D	1300	40.5	31.4	14.75	12.25
TCD42B32S	TL8E080C16UH11	21.0	CF/CM64D	1275	42.0	32.0	15.25	12.25
TCD42B32S	TL8E100C20UH11	21.0	CF/CM/CU42C	1250	40.5	31.0	15.25	12.25
TCD42B32S	TL8E100C20UH11	21.0	CF/CM/CU48C	1250	41.0	31.0	15.50	12.50
TCD42B32S	TL8E100C20UH11	21.0	CF/CM/CU48D	1275	41.0	31.2	15.25	12.25
TCD42B32S	TL8E100C20UH11	21.0	CF/CM/CU60C	1250	40.5	30.4	15.25	12.25
TCD42B32S	TL8E100C20UH11	21.0	CF/CM/CU60D	1275	41.5	31.6	15.50	12.50
TCD42B32S	TL8E100C20UH11	21.0	CF/CM42D	1275	41.0	31.4	15.25	12.25
TCD42B32S	TL8E100C20UH11	21.0	CF/CM64D	1250	42.0	31.8	15.50	12.50
TCD42B32S	TL9E060B12UH11	17.5	CF/CM/CU42C	1225	40.0	30.0	14.00	11.75
TCD42B32S	TL9E060B12UH11	17.5	CF/CM/CU48C	1225	40.5	30.2	14.00	11.75
TCD42B32S	TL9E060B12UH11	17.5	CF/CM/CU60C	1225	40.0	29.8	14.00	11.75
TCD42B32S	TL9E080C16UH11	21.0	CF/CM/CU42C	1250	40.5	31.0	14.75	12.25
TCD42B32S	TL9E080C16UH11	21.0	CF/CM/CU48C	1250	41.0	31.0	14.75	12.25
TCD42B32S	TL9E080C16UH11	21.0	CF/CM/CU48D	1275	41.0	31.2	14.75	12.25
TCD42B32S	TL9E080C16UH11	21.0	CF/CM/CU60C	1250	40.5	30.4	14.75	12.25
TCD42B32S	TL9E080C16UH11	21.0	CF/CM/CU60D	1275	41.0	31.2	14.75	12.25
TCD42B32S	TL9E080C16UH11	21.0	CF/CM42D	1275	40.5	31.2	14.75	12.25
TCD42B32S	TL9E080C16UH11	21.0	CF/CM64D	1250	41.5	31.4	15.00	12.25
TCD42B32S	TL9E100C20UH11	21.0	CF/CM/CU42C	1225	40.5	30.4	15.25	12.25
TCD42B32S	TL9E100C20UH11	21.0	CF/CM/CU48C	1225	41.0	30.8	15.25	12.25
TCD42B32S	TL9E100C20UH11	21.0	CF/CM/CU48D	1250	41.0	31.0	15.25	12.25
TCD42B32S	TL9E100C20UH11	21.0	CF/CM/CU60C	1225	40.5	30.0	15.25	12.25
TCD42B32S	TL9E100C20UH11	21.0	CF/CM/CU60D	1250	41.0	31.2	15.50	12.50
TCD42B32S	TL9E100C20UH11	21.0	CF/CM42D	1250	40.5	31.0	15.25	12.25
TCD42B32S	TL9E100C20UH11	21.0	CF/CM64D	1225	41.5	31.0	15.50	12.50
TCD42B32S	TM8E080B12MP11	17.5	CF/CM/CU42C	1250	40.0	30.6	14.25	12.00
TCD42B32S	TM8E080B12MP11	17.5	CF/CM/CU48C	1250	40.5	30.4	14.25	12.00
TCD42B32S	TM8E080B12MP11	17.5	CF/CM/CU60C	1250	40.0	30.0	14.25	12.00
TCD42B32S	TM8E080C16MP11	21.0	CF/CM/CU42C	1275	40.5	31.2	15.00	12.25
TCD42B32S	TM8E080C16MP11	21.0	CF/CM/CU48C	1275	41.0	31.2	15.00	12.25
TCD42B32S	TM8E080C16MP11	21.0	CF/CM/CU48D	1300	41.0	31.4	15.00	12.25
TCD42B32S	TM8E080C16MP11	21.0	CF/CM/CU60C	1275	40.5	30.6	14.75	12.25
TCD42B32S	TM8E080C16MP11	21.0	CF/CM/CU60D	1300	41.0	31.6	15.00	12.25
TCD42B32S	TM8E080C16MP11	21.0	CF/CM42D	1300	41.0	31.8	15.00	12.25
TCD42B32S	TM8E080C16MP11	21.0	CF/CM64D	1275	42.0	32.0	15.25	12.25
TCD42B32S	TM8E080C20MP11	21.0	CF/CM/CU42C	1250	40.5	31.0	15.25	12.25
TCD42B32S	TM8E080C20MP11	21.0	CF/CM/CU48C	1250	41.0	31.0	15.25	12.25
TCD42B32S	TM8E080C20MP11	21.0	CF/CM/CU48D	1275	41.0	31.2	15.25	12.25
TCD42B32S	TM8E080C20MP11	21.0	CF/CM/CU60C	1250	40.5	30.4	15.25	12.25
TCD42B32S	TM8E080C20MP11	21.0	CF/CM/CU60D	1275	41.5	31.6	15.50	12.50
TCD42B32S	TM8E080C20MP11	21.0	CF/CM42D	1275	41.0	31.4	15.25	12.50
TCD42B32S	TM8E080C20MP11	21.0	CF/CM64D	1250	42.0	31.8	15.50	12.50
TCD42B32S	TM8E100B12MP11	17.5	CF/CM/CU42C	1250	40.5	31.0	14.50	12.00
TCD42B32S	TM8E100B12MP11	17.5	CF/CM/CU48C	1250	40.5	30.4	14.50	12.25
TCD42B32S	TM8E100B12MP11	17.5	CF/CM/CU60C	1250	40.0	30.0	14.25	12.00
TCD42B32S	TM8E100C16MP11	21.0	CF/CM/CU42C	1300	40.5	31.4	15.00	12.25
TCD42B32S	TM8E100C16MP11	21.0	CF/CM/CU48C	1300	41.0	31.4	15.00	12.25
TCD42B32S	TM8E100C16MP11	21.0	CF/CM/CU48D	1325	41.0	31.6	15.00	12.25
TCD42B32S	TM8E100C16MP11	21.0	CF/CM/CU60C	1300	40.5	30.8	14.75	12.25

COOLING CAPACITY - With High Efficiency Motor Furnaces¹ (Continued)

UNIT MODEL	FURNACE		COIL MODEL ²	COOLING				
	MODEL	WIDTH		RATED CFM	NET MBH		SEER	EER
					TOTAL	SENS.		
TCD42B32S	TM8E100C16MP11	21.0	CF/CM/CU60D	1325	41.5	32.4	15.00	12.25
TCD42B32S	TM8E100C16MP11	21.0	CF/CM42D	1325	41.0	31.6	14.75	12.25
TCD42B32S	TM8E100C16MP11	21.0	CF/CM64D	1325	42.0	32.6	15.25	12.25
TCD42B32S	TM8E100C20MP11	21.0	CF/CM/CU42C	1250	40.5	31.0	15.25	12.25
TCD42B32S	TM8E100C20MP11	21.0	CF/CM/CU48C	1250	41.0	31.0	15.25	12.25
TCD42B32S	TM8E100C20MP11	21.0	CF/CM/CU48D	1275	41.0	31.2	15.25	12.25
TCD42B32S	TM8E100C20MP11	21.0	CF/CM/CU60C	1250	40.5	30.4	15.25	12.25
TCD42B32S	TM8E100C20MP11	21.0	CF/CM/CU60D	1275	41.5	31.8	15.50	12.50
TCD42B32S	TM8E100C20MP11	21.0	CF/CM42D	1275	41.0	31.4	15.25	12.25
TCD42B32S	TM8E100C20MP11	21.0	CF/CM64D	1250	42.0	31.8	15.50	12.50
TCD42B32S	TM8E120C16MP11	21.0	CF/CM/CU42C	1300	40.5	31.4	15.00	12.25
TCD42B32S	TM8E120C16MP11	21.0	CF/CM/CU48C	1325	41.0	31.6	15.25	12.25
TCD42B32S	TM8E120C16MP11	21.0	CF/CM/CU48D	1325	41.0	31.6	15.00	12.25
TCD42B32S	TM8E120C16MP11	21.0	CF/CM/CU60C	1300	40.5	30.8	14.75	12.25
TCD42B32S	TM8E120C16MP11	21.0	CF/CM/CU60D	1325	41.5	32.4	15.00	12.25
TCD42B32S	TM8E120C16MP11	21.0	CF/CM42D	1325	41.0	31.6	15.00	12.25
TCD42B32S	TM8E120C16MP11	21.0	CF/CM64D	1325	42.0	32.6	15.25	12.25
TCD42B32S	TM8E120C20MP11	21.0	CF/CM/CU42C	1275	40.5	31.2	15.25	12.25
TCD42B32S	TM8E120C20MP11	21.0	CF/CM/CU48C	1300	41.0	31.4	15.25	12.25
TCD42B32S	TM8E120C20MP11	21.0	CF/CM/CU48D	1300	41.0	31.4	15.25	12.25
TCD42B32S	TM8E120C20MP11	21.0	CF/CM/CU60C	1275	40.5	30.4	15.00	12.25
TCD42B32S	TM8E120C20MP11	21.0	CF/CM/CU60D	1325	41.5	32.4	15.25	12.50
TCD42B32S	TM8E120C20MP11	21.0	CF/CM42D	1300	41.0	31.8	15.25	12.25
TCD42B32S	TM8E120C20MP11	21.0	CF/CM64D	1300	42.0	32.2	15.50	12.50
TCD42B32S	TM8E130D20MP11	24.5	CF/CM/CU48D	1300	41.5	31.6	15.25	12.25
TCD42B32S	TM8E130D20MP11	24.5	CF/CM/CU60D	1325	41.5	32.2	15.50	12.50
TCD42B32S	TM8E130D20MP11	24.5	CF/CM42D	1300	41.0	31.8	15.25	12.25
TCD42B32S	TM8E130D20MP11	24.5	CF/CM64D	1300	42.0	32.2	15.50	12.50
TCD42B32S	TM9E060B12MP12	17.5	CF/CM/CU42C	1225	40.0	30.0	14.00	11.75
TCD42B32S	TM9E060B12MP12	17.5	CF/CM/CU48C	1225	40.5	30.2	14.00	11.75
TCD42B32S	TM9E060B12MP12	17.5	CF/CM/CU60C	1225	40.0	29.8	14.00	11.75
TCD42B32S	TM9E080B12MP12	17.5	CF/CM/CU42C	1250	40.0	30.6	14.25	12.00
TCD42B32S	TM9E080B12MP12	17.5	CF/CM/CU48C	1250	40.5	30.4	14.25	12.00
TCD42B32S	TM9E080B12MP12	17.5	CF/CM/CU60C	1250	40.0	30.0	14.25	12.00
TCD42B32S	TM9E080C16MP12	21.0	CF/CM/CU42C	1275	40.5	31.2	14.75	12.25
TCD42B32S	TM9E080C16MP12	21.0	CF/CM/CU48C	1275	41.0	31.2	14.75	12.25
TCD42B32S	TM9E080C16MP12	21.0	CF/CM/CU48D	1275	41.0	31.2	14.75	12.25
TCD42B32S	TM9E080C16MP12	21.0	CF/CM/CU60C	1275	40.5	30.6	14.75	12.25
TCD42B32S	TM9E080C16MP12	21.0	CF/CM/CU60D	1275	41.0	31.2	14.75	12.25
TCD42B32S	TM9E080C16MP12	21.0	CF/CM42D	1275	40.5	31.2	14.75	12.25
TCD42B32S	TM9E080C16MP12	21.0	CF/CM64D	1275	41.5	31.6	15.00	12.25
TCD42B32S	TM9E080C20MP12	21.0	CF/CM/CU42C	1225	40.5	30.4	15.25	12.25
TCD42B32S	TM9E080C20MP12	21.0	CF/CM/CU48C	1225	41.0	30.8	15.25	12.25
TCD42B32S	TM9E080C20MP12	21.0	CF/CM/CU48D	1250	41.0	31.0	15.25	12.25
TCD42B32S	TM9E080C20MP12	21.0	CF/CM/CU60C	1225	40.5	30.0	15.25	12.25
TCD42B32S	TM9E080C20MP12	21.0	CF/CM/CU60D	1250	41.0	31.2	15.50	12.50
TCD42B32S	TM9E080C20MP12	21.0	CF/CM42D	1250	40.5	31.0	15.25	12.25
TCD42B32S	TM9E080C20MP12	21.0	CF/CM64D	1250	42.0	31.8	15.50	12.50
TCD42B32S	TM9E100C16MP12	21.0	CF/CM/CU42C	1275	40.5	31.2	14.75	12.25
TCD42B32S	TM9E100C16MP12	21.0	CF/CM/CU48C	1275	41.0	31.2	14.75	12.25
TCD42B32S	TM9E100C16MP12	21.0	CF/CM/CU48D	1300	41.0	31.4	14.75	12.25
TCD42B32S	TM9E100C16MP12	21.0	CF/CM/CU60C	1275	40.5	30.6	14.75	12.25
TCD42B32S	TM9E100C16MP12	21.0	CF/CM/CU60D	1300	41.0	31.6	15.00	12.25

COOLING CAPACITY - With High Efficiency Motor Furnaces¹ (Continued)

UNIT MODEL	FURNACE		COIL MODEL ²	COOLING				
	MODEL	WIDTH		RATED CFM	NET MBH		SEER	EER
					TOTAL	SENS.		
TCD42B32S	TM9E100C16MP12	21.0	CF/CM42D	1300	40.5	31.4	14.75	12.25
TCD42B32S	TM9E100C16MP12	21.0	CF/CM64D	1275	41.5	31.6	15.00	12.25
TCD42B32S	TM9E100C20MP12	21.0	CF/CM/CU42C	1225	40.5	30.4	15.25	12.25
TCD42B32S	TM9E100C20MP12	21.0	CF/CM/CU48C	1225	41.0	30.6	15.25	12.25
TCD42B32S	TM9E100C20MP12	21.0	CF/CM/CU48D	1225	41.0	30.6	15.25	12.25
TCD42B32S	TM9E100C20MP12	21.0	CF/CM/CU60C	1225	40.5	30.0	15.25	12.25
TCD42B32S	TM9E100C20MP12	21.0	CF/CM/CU60D	1250	41.0	31.2	15.50	12.50
TCD42B32S	TM9E100C20MP12	21.0	CF/CM42D	1225	40.5	30.4	15.25	12.25
TCD42B32S	TM9E100C20MP12	21.0	CF/CM64D	1225	41.5	31.0	15.50	12.50
TCD42B32S	TM9E120D20MP12	24.5	CF/CM/CU48D	1250	41.0	31.0	15.25	12.25
TCD42B32S	TM9E120D20MP12	24.5	CF/CM/CU60D	1250	41.0	31.2	15.50	12.50
TCD42B32S	TM9E120D20MP12	24.5	CF/CM42D	1250	40.5	31.0	15.25	12.25
TCD42B32S	TM9E120D20MP12	24.5	CF/CM64D	1250	42.0	31.8	15.50	12.50
TCD42B32S	TM9V080C16MP11C	21.0	CF/CM/CU42C	1225	40.5	30.4	14.75	12.25
TCD42B32S	TM9V080C16MP11C	21.0	CF/CM/CU48C	1225	40.5	30.2	14.75	12.25
TCD42B32S	TM9V080C16MP11C	21.0	CF/CM/CU48D	1225	40.5	30.2	15.00	12.25
TCD42B32S	TM9V080C16MP11C	21.0	CF/CM/CU60C	1225	40.5	30.0	14.75	12.25
TCD42B32S	TM9V080C16MP11C	21.0	CF/CM/CU60D	1225	40.5	30.2	14.75	12.25
TCD42B32S	TM9V080C16MP11C	21.0	CF/CM42D	1225	40.5	30.4	14.75	12.25
TCD42B32S	TM9V080C16MP11C	21.0	CF/CM64D	1225	41.5	31.0	15.00	12.25
TCD42B32S	TM9V080C16MP12C	21.0	CF/CM/CU42C	1225	40.5	30.4	14.75	12.25
TCD42B32S	TM9V080C16MP12C	21.0	CF/CM/CU48C	1225	40.5	30.2	14.75	12.25
TCD42B32S	TM9V080C16MP12C	21.0	CF/CM/CU48D	1225	40.5	30.2	15.00	12.25
TCD42B32S	TM9V080C16MP12C	21.0	CF/CM/CU60C	1225	40.5	30.0	14.75	12.25
TCD42B32S	TM9V080C16MP12C	21.0	CF/CM/CU60D	1225	40.5	30.2	14.75	12.25
TCD42B32S	TM9V080C16MP12C	21.0	CF/CM42D	1225	40.5	30.4	14.75	12.25
TCD42B32S	TM9V080C16MP12C	21.0	CF/CM64D	1225	41.5	31.0	15.00	12.25
TCD42B32S	TMLE080B12MP11	17.5	CF/CM/CU42C	1250	40.0	30.6	14.25	12.00
TCD42B32S	TMLE080B12MP11	17.5	CF/CM/CU48C	1250	40.5	30.4	14.25	12.00
TCD42B32S	TMLE080B12MP11	17.5	CF/CM/CU60C	1250	40.0	30.0	14.25	12.00
TCD42B32S	TMLE080C16MP11	21.0	CF/CM/CU42C	1275	40.5	31.2	15.00	12.25
TCD42B32S	TMLE080C16MP11	21.0	CF/CM/CU48C	1275	41.0	31.2	15.00	12.25
TCD42B32S	TMLE080C16MP11	21.0	CF/CM/CU48D	1300	41.0	31.4	15.00	12.25
TCD42B32S	TMLE080C16MP11	21.0	CF/CM/CU60C	1275	40.5	30.6	14.75	12.25
TCD42B32S	TMLE080C16MP11	21.0	CF/CM/CU60D	1300	41.0	31.6	15.00	12.25
TCD42B32S	TMLE080C16MP11	21.0	CF/CM42D	1300	41.0	31.8	15.00	12.25
TCD42B32S	TMLE080C16MP11	21.0	CF/CM64D	1275	42.0	32.0	15.25	12.25
TCD42B32S	TMLE080C20MP11	21.0	CF/CM/CU42C	1250	40.5	31.0	15.25	12.25
TCD42B32S	TMLE080C20MP11	21.0	CF/CM/CU48C	1250	41.0	31.0	15.25	12.25
TCD42B32S	TMLE080C20MP11	21.0	CF/CM/CU48D	1275	41.0	31.2	15.25	12.25
TCD42B32S	TMLE080C20MP11	21.0	CF/CM/CU60C	1250	40.5	30.4	15.25	12.25
TCD42B32S	TMLE080C20MP11	21.0	CF/CM/CU60D	1275	41.5	31.6	15.50	12.50
TCD42B32S	TMLE080C20MP11	21.0	CF/CM42D	1275	41.0	31.4	15.25	12.50
TCD42B32S	TMLE080C20MP11	21.0	CF/CM64D	1250	42.0	31.8	15.50	12.50
TCD42B32S	TMLE100B12MP11	17.5	CF/CM/CU42C	1250	40.5	31.0	14.50	12.00
TCD42B32S	TMLE100B12MP11	17.5	CF/CM/CU48C	1250	40.5	30.4	14.50	12.25
TCD42B32S	TMLE100B12MP11	17.5	CF/CM/CU60C	1250	40.0	30.0	14.25	12.00
TCD42B32S	TMLE100C16MP11	21.0	CF/CM/CU42C	1300	40.5	31.4	15.00	12.25
TCD42B32S	TMLE100C16MP11	21.0	CF/CM/CU48C	1300	41.0	31.4	15.00	12.25
TCD42B32S	TMLE100C16MP11	21.0	CF/CM/CU48D	1325	41.0	31.6	15.00	12.25
TCD42B32S	TMLE100C16MP11	21.0	CF/CM/CU60C	1300	40.5	30.8	14.75	12.25
TCD42B32S	TMLE100C16MP11	21.0	CF/CM/CU60D	1325	41.5	32.4	15.00	12.25
TCD42B32S	TMLE100C16MP11	21.0	CF/CM42D	1325	41.0	31.6	14.75	12.25

COOLING CAPACITY - With High Efficiency Motor Furnaces¹ (Continued)

UNIT MODEL	FURNACE		COIL MODEL ²	COOLING				
	MODEL	WIDTH		RATED CFM	NET MBH		SEER	EER
					TOTAL	SENS.		
TCD42B32S	TMLE100C16MP11	21.0	CF/CM64D	1325	42.0	32.6	15.25	12.25
TCD42B32S	TMLE100C20MP11	21.0	CF/CM/CU42C	1250	40.5	31.0	15.25	12.25
TCD42B32S	TMLE100C20MP11	21.0	CF/CM/CU48C	1250	41.0	31.0	15.25	12.25
TCD42B32S	TMLE100C20MP11	21.0	CF/CM/CU48D	1275	41.0	31.2	15.25	12.25
TCD42B32S	TMLE100C20MP11	21.0	CF/CM/CU60C	1250	40.5	30.4	15.25	12.25
TCD42B32S	TMLE100C20MP11	21.0	CF/CM/CU60D	1275	41.5	31.8	15.50	12.50
TCD42B32S	TMLE100C20MP11	21.0	CF/CM42D	1275	41.0	31.4	15.25	12.25
TCD42B32S	TMLE100C20MP11	21.0	CF/CM64D	1250	42.0	31.8	15.50	12.50
TCD42B32S	TMLE120C16MP11	21.0	CF/CM/CU42C	1300	40.5	31.4	15.00	12.25
TCD42B32S	TMLE120C16MP11	21.0	CF/CM/CU48C	1325	41.0	31.6	15.25	12.25
TCD42B32S	TMLE120C16MP11	21.0	CF/CM/CU48D	1325	41.0	31.6	15.00	12.25
TCD42B32S	TMLE120C16MP11	21.0	CF/CM/CU60C	1300	40.5	30.8	14.75	12.25
TCD42B32S	TMLE120C16MP11	21.0	CF/CM/CU60D	1325	41.5	32.4	15.00	12.25
TCD42B32S	TMLE120C16MP11	21.0	CF/CM42D	1325	41.0	31.6	15.00	12.25
TCD42B32S	TMLE120C16MP11	21.0	CF/CM64D	1325	42.0	32.6	15.25	12.25
TCD42B32S	TMLE120C20MP11	21.0	CF/CM/CU42C	1275	40.5	31.2	15.25	12.25
TCD42B32S	TMLE120C20MP11	21.0	CF/CM/CU48C	1300	41.0	31.4	15.25	12.25
TCD42B32S	TMLE120C20MP11	21.0	CF/CM/CU48D	1300	41.0	31.4	15.25	12.25
TCD42B32S	TMLE120C20MP11	21.0	CF/CM/CU60C	1275	40.5	30.4	15.00	12.25
TCD42B32S	TMLE120C20MP11	21.0	CF/CM/CU60D	1325	41.5	32.4	15.25	12.50
TCD42B32S	TMLE120C20MP11	21.0	CF/CM42D	1300	41.0	31.8	15.25	12.25
TCD42B32S	TMLE120C20MP11	21.0	CF/CM64D	1300	42.0	32.2	15.50	12.50
TCD42B32S	TMLE130D20MP11	24.5	CF/CM/CU48D	1300	41.5	31.6	15.25	12.25
TCD42B32S	TMLE130D20MP11	24.5	CF/CM/CU60D	1325	41.5	32.2	15.50	12.50
TCD42B32S	TMLE130D20MP11	24.5	CF/CM42D	1300	41.0	31.8	15.25	12.25
TCD42B32S	TMLE130D20MP11	24.5	CF/CM64D	1300	42.0	32.2	15.50	12.50
TCD42B32S	TP9C080C16MP13C	21.0	CF/CM/CU42C	1225	40.5	30.4	14.75	12.25
TCD42B32S	TP9C080C16MP13C	21.0	CF/CM/CU48C	1225	40.5	30.2	14.75	12.25
TCD42B32S	TP9C080C16MP13C	21.0	CF/CM/CU48D	1225	40.5	30.2	15.00	12.25
TCD42B32S	TP9C080C16MP13C	21.0	CF/CM/CU60C	1225	40.5	30.0	14.75	12.25
TCD42B32S	TP9C080C16MP13C	21.0	CF/CM/CU60D	1225	40.5	30.2	14.75	12.25
TCD42B32S	TP9C080C16MP13C	21.0	CF/CM42D	1225	40.5	30.4	14.75	12.25
TCD42B32S	TP9C080C16MP13C	21.0	CF/CM64D	1225	41.5	31.0	15.00	12.25
TCD42B32S	YP9C080C16MP13C	21.0	CF/CM/CU42C	1225	40.5	30.4	14.75	12.25
TCD42B32S	YP9C080C16MP13C	21.0	CF/CM/CU48C	1225	40.5	30.2	14.75	12.25
TCD42B32S	YP9C080C16MP13C	21.0	CF/CM/CU48D	1225	40.5	30.2	15.00	12.25
TCD42B32S	YP9C080C16MP13C	21.0	CF/CM/CU60C	1225	40.5	30.0	14.75	12.25
TCD42B32S	YP9C080C16MP13C	21.0	CF/CM/CU60D	1225	40.5	30.2	14.75	12.25
TCD42B32S	YP9C080C16MP13C	21.0	CF/CM42D	1225	40.5	30.4	14.75	12.25
TCD42B32S	YP9C080C16MP13C	21.0	CF/CM64D	1225	41.5	31.0	15.00	12.25
TCD42B42S	TL8E080C16UH11	21.0	CF/CM/CU42C	1275	40.5	31.2	15.00	12.25
TCD42B42S	TL8E080C16UH11	21.0	CF/CM/CU48C	1275	41.0	31.2	15.00	12.25
TCD42B42S	TL8E080C16UH11	21.0	CF/CM/CU48D	1300	41.0	31.4	15.00	12.25
TCD42B42S	TL8E080C16UH11	21.0	CF/CM/CU60C	1275	40.5	30.6	14.75	12.25
TCD42B42S	TL8E080C16UH11	21.0	CF/CM/CU60D	1300	41.0	31.6	15.25	12.25
TCD42B42S	TL8E080C16UH11	21.0	CF/CM42D	1300	40.5	31.4	14.75	12.25
TCD42B42S	TL8E080C16UH11	21.0	CF/CM64D	1275	42.0	32.0	15.25	12.25
TCD42B42S	TL8E100C20UH11	21.0	CF/CM/CU42C	1250	40.5	31.0	15.25	12.25
TCD42B42S	TL8E100C20UH11	21.0	CF/CM/CU48C	1250	41.0	31.0	15.50	12.50
TCD42B42S	TL8E100C20UH11	21.0	CF/CM/CU48D	1275	41.0	31.2	15.25	12.25
TCD42B42S	TL8E100C20UH11	21.0	CF/CM/CU60C	1250	40.5	30.4	15.25	12.25
TCD42B42S	TL8E100C20UH11	21.0	CF/CM/CU60D	1275	41.5	31.6	15.50	12.50
TCD42B42S	TL8E100C20UH11	21.0	CF/CM42D	1275	41.0	31.4	15.25	12.25

COOLING CAPACITY - With High Efficiency Motor Furnaces¹ (Continued)

UNIT MODEL	FURNACE		COIL MODEL ²	COOLING				
	MODEL	WIDTH		RATED CFM	NET MBH		SEER	EER
					TOTAL	SENS.		
TCD42B42S	TL8E100C20UH11	21.0	CF/CM64D	1250	42.0	31.8	15.50	12.50
TCD42B42S	TL9E060B12UH11	17.5	CF/CM/CU42C	1225	40.0	30.0	14.00	11.75
TCD42B42S	TL9E060B12UH11	17.5	CF/CM/CU48C	1225	40.5	30.2	14.00	11.75
TCD42B42S	TL9E060B12UH11	17.5	CF/CM/CU60C	1225	40.0	29.8	14.00	11.75
TCD42B42S	TL9E080C16UH11	21.0	CF/CM/CU42C	1250	40.5	31.0	14.75	12.25
TCD42B42S	TL9E080C16UH11	21.0	CF/CM/CU48C	1250	41.0	31.0	14.75	12.25
TCD42B42S	TL9E080C16UH11	21.0	CF/CM/CU48D	1275	41.0	31.2	14.75	12.25
TCD42B42S	TL9E080C16UH11	21.0	CF/CM/CU60C	1250	40.5	30.4	14.75	12.25
TCD42B42S	TL9E080C16UH11	21.0	CF/CM/CU60D	1275	41.0	31.2	14.75	12.25
TCD42B42S	TL9E080C16UH11	21.0	CF/CM42D	1275	40.5	31.2	14.75	12.25
TCD42B42S	TL9E080C16UH11	21.0	CF/CM64D	1250	41.5	31.4	15.00	12.25
TCD42B42S	TL9E100C20UH11	21.0	CF/CM/CU42C	1225	40.5	30.4	15.25	12.25
TCD42B42S	TL9E100C20UH11	21.0	CF/CM/CU48C	1225	41.0	30.8	15.25	12.25
TCD42B42S	TL9E100C20UH11	21.0	CF/CM/CU48D	1250	41.0	31.0	15.25	12.25
TCD42B42S	TL9E100C20UH11	21.0	CF/CM/CU60C	1225	40.5	30.0	15.25	12.25
TCD42B42S	TL9E100C20UH11	21.0	CF/CM/CU60D	1250	41.0	31.2	15.50	12.50
TCD42B42S	TL9E100C20UH11	21.0	CF/CM42D	1250	40.5	31.0	15.25	12.25
TCD42B42S	TL9E100C20UH11	21.0	CF/CM64D	1225	41.5	31.0	15.50	12.50
TCD42B42S	TM8E080B12MP11	17.5	CF/CM/CU42C	1250	40.0	30.6	14.25	12.00
TCD42B42S	TM8E080B12MP11	17.5	CF/CM/CU48C	1250	40.5	30.4	14.25	12.00
TCD42B42S	TM8E080B12MP11	17.5	CF/CM/CU60C	1250	40.0	30.0	14.25	12.00
TCD42B42S	TM8E080C16MP11	21.0	CF/CM/CU42C	1275	40.5	31.2	15.00	12.25
TCD42B42S	TM8E080C16MP11	21.0	CF/CM/CU48C	1275	41.0	31.2	15.00	12.25
TCD42B42S	TM8E080C16MP11	21.0	CF/CM/CU48D	1300	41.0	31.4	15.00	12.25
TCD42B42S	TM8E080C16MP11	21.0	CF/CM/CU60C	1275	40.5	30.6	14.75	12.25
TCD42B42S	TM8E080C16MP11	21.0	CF/CM/CU60D	1300	41.0	31.6	15.00	12.25
TCD42B42S	TM8E080C16MP11	21.0	CF/CM42D	1300	41.0	31.8	15.00	12.25
TCD42B42S	TM8E080C16MP11	21.0	CF/CM64D	1275	42.0	32.0	15.25	12.25
TCD42B42S	TM8E080C20MP11	21.0	CF/CM/CU42C	1250	40.5	31.0	15.25	12.25
TCD42B42S	TM8E080C20MP11	21.0	CF/CM/CU48C	1250	41.0	31.0	15.25	12.25
TCD42B42S	TM8E080C20MP11	21.0	CF/CM/CU48D	1275	41.0	31.2	15.25	12.25
TCD42B42S	TM8E080C20MP11	21.0	CF/CM/CU60C	1250	40.5	30.4	15.25	12.25
TCD42B42S	TM8E080C20MP11	21.0	CF/CM/CU60D	1275	41.5	31.6	15.50	12.50
TCD42B42S	TM8E080C20MP11	21.0	CF/CM42D	1275	41.0	31.4	15.25	12.50
TCD42B42S	TM8E080C20MP11	21.0	CF/CM64D	1250	42.0	31.8	15.50	12.50
TCD42B42S	TM8E100B12MP11	17.5	CF/CM/CU42C	1250	40.5	31.0	14.50	12.00
TCD42B42S	TM8E100B12MP11	17.5	CF/CM/CU48C	1250	40.5	30.4	14.50	12.25
TCD42B42S	TM8E100B12MP11	17.5	CF/CM/CU60C	1250	40.0	30.0	14.25	12.00
TCD42B42S	TM8E100C16MP11	21.0	CF/CM/CU42C	1300	40.5	31.4	15.00	12.25
TCD42B42S	TM8E100C16MP11	21.0	CF/CM/CU48C	1300	41.0	31.4	15.00	12.25
TCD42B42S	TM8E100C16MP11	21.0	CF/CM/CU48D	1325	41.0	31.6	15.00	12.25
TCD42B42S	TM8E100C16MP11	21.0	CF/CM/CU60C	1300	40.5	30.8	14.75	12.25
TCD42B42S	TM8E100C16MP11	21.0	CF/CM/CU60D	1325	41.5	32.4	15.00	12.25
TCD42B42S	TM8E100C16MP11	21.0	CF/CM42D	1325	41.0	31.6	14.75	12.25
TCD42B42S	TM8E100C16MP11	21.0	CF/CM64D	1325	42.0	32.6	15.25	12.25
TCD42B42S	TM8E100C20MP11	21.0	CF/CM/CU42C	1250	40.5	31.0	15.25	12.25
TCD42B42S	TM8E100C20MP11	21.0	CF/CM/CU48C	1250	41.0	31.0	15.25	12.25
TCD42B42S	TM8E100C20MP11	21.0	CF/CM/CU48D	1275	41.0	31.2	15.25	12.25
TCD42B42S	TM8E100C20MP11	21.0	CF/CM/CU60C	1250	40.5	30.4	15.25	12.25
TCD42B42S	TM8E100C20MP11	21.0	CF/CM/CU60D	1275	41.5	31.8	15.50	12.50
TCD42B42S	TM8E100C20MP11	21.0	CF/CM42D	1275	41.0	31.4	15.25	12.25
TCD42B42S	TM8E100C20MP11	21.0	CF/CM64D	1250	42.0	31.8	15.50	12.50
TCD42B42S	TM8E120C16MP11	21.0	CF/CM/CU42C	1300	40.5	31.4	15.00	12.25

COOLING CAPACITY - With High Efficiency Motor Furnaces¹ (Continued)

UNIT MODEL	FURNACE		COIL MODEL ²	COOLING				
	MODEL	WIDTH		RATED CFM	NET MBH		SEER	EER
					TOTAL	SENS.		
TCD42B42S	TM8E120C16MP11	21.0	CF/CM/CU48C	1325	41.0	31.6	15.25	12.25
TCD42B42S	TM8E120C16MP11	21.0	CF/CM/CU48D	1325	41.0	31.6	15.00	12.25
TCD42B42S	TM8E120C16MP11	21.0	CF/CM/CU60C	1300	40.5	30.8	14.75	12.25
TCD42B42S	TM8E120C16MP11	21.0	CF/CM/CU60D	1325	41.5	32.4	15.00	12.25
TCD42B42S	TM8E120C16MP11	21.0	CF/CM42D	1325	41.0	31.6	15.00	12.25
TCD42B42S	TM8E120C16MP11	21.0	CF/CM64D	1325	42.0	32.6	15.25	12.25
TCD42B42S	TM8E120C20MP11	21.0	CF/CM/CU42C	1275	40.5	31.2	15.25	12.25
TCD42B42S	TM8E120C20MP11	21.0	CF/CM/CU48C	1300	41.0	31.4	15.25	12.25
TCD42B42S	TM8E120C20MP11	21.0	CF/CM/CU48D	1300	41.0	31.4	15.25	12.25
TCD42B42S	TM8E120C20MP11	21.0	CF/CM/CU60C	1275	40.5	30.4	15.00	12.25
TCD42B42S	TM8E120C20MP11	21.0	CF/CM/CU60D	1325	41.5	32.4	15.25	12.50
TCD42B42S	TM8E120C20MP11	21.0	CF/CM42D	1300	41.0	31.8	15.25	12.25
TCD42B42S	TM8E120C20MP11	21.0	CF/CM64D	1300	42.0	32.2	15.50	12.50
TCD42B42S	TM8E130D20MP11	24.5	CF/CM/CU48D	1300	41.5	31.6	15.25	12.25
TCD42B42S	TM8E130D20MP11	24.5	CF/CM/CU60D	1325	41.5	32.2	15.50	12.50
TCD42B42S	TM8E130D20MP11	24.5	CF/CM42D	1300	41.0	31.8	15.25	12.25
TCD42B42S	TM8E130D20MP11	24.5	CF/CM64D	1300	42.0	32.2	15.50	12.50
TCD42B42S	TM9E060B12MP12	17.5	CF/CM/CU42C	1225	40.0	30.0	14.00	11.75
TCD42B42S	TM9E060B12MP12	17.5	CF/CM/CU48C	1225	40.5	30.2	14.00	11.75
TCD42B42S	TM9E060B12MP12	17.5	CF/CM/CU60C	1225	40.0	29.8	14.00	11.75
TCD42B42S	TM9E080B12MP12	17.5	CF/CM/CU42C	1250	40.0	30.6	14.25	12.00
TCD42B42S	TM9E080B12MP12	17.5	CF/CM/CU48C	1250	40.5	30.4	14.25	12.00
TCD42B42S	TM9E080B12MP12	17.5	CF/CM/CU60C	1250	40.0	30.0	14.25	12.00
TCD42B42S	TM9E080C16MP12	21.0	CF/CM/CU42C	1275	40.5	31.2	14.75	12.25
TCD42B42S	TM9E080C16MP12	21.0	CF/CM/CU48C	1275	41.0	31.2	14.75	12.25
TCD42B42S	TM9E080C16MP12	21.0	CF/CM/CU48D	1275	41.0	31.2	14.75	12.25
TCD42B42S	TM9E080C16MP12	21.0	CF/CM/CU60C	1275	40.5	30.6	14.75	12.25
TCD42B42S	TM9E080C16MP12	21.0	CF/CM/CU60D	1275	41.0	31.2	14.75	12.25
TCD42B42S	TM9E080C16MP12	21.0	CF/CM42D	1275	40.5	31.2	14.75	12.25
TCD42B42S	TM9E080C16MP12	21.0	CF/CM64D	1275	41.5	31.6	15.00	12.25
TCD42B42S	TM9E080C20MP12	21.0	CF/CM/CU42C	1225	40.5	30.4	15.25	12.25
TCD42B42S	TM9E080C20MP12	21.0	CF/CM/CU48C	1225	41.0	30.8	15.25	12.25
TCD42B42S	TM9E080C20MP12	21.0	CF/CM/CU48D	1250	41.0	31.0	15.25	12.25
TCD42B42S	TM9E080C20MP12	21.0	CF/CM/CU60C	1225	40.5	30.0	15.25	12.25
TCD42B42S	TM9E080C20MP12	21.0	CF/CM/CU60D	1250	41.0	31.2	15.50	12.50
TCD42B42S	TM9E080C20MP12	21.0	CF/CM42D	1250	40.5	31.0	15.25	12.25
TCD42B42S	TM9E080C20MP12	21.0	CF/CM64D	1250	42.0	31.8	15.50	12.50
TCD42B42S	TM9E100C16MP12	21.0	CF/CM/CU42C	1275	40.5	31.2	14.75	12.25
TCD42B42S	TM9E100C16MP12	21.0	CF/CM/CU48C	1275	41.0	31.2	14.75	12.25
TCD42B42S	TM9E100C16MP12	21.0	CF/CM/CU48D	1300	41.0	31.4	14.75	12.25
TCD42B42S	TM9E100C16MP12	21.0	CF/CM/CU60C	1275	40.5	30.6	14.75	12.25
TCD42B42S	TM9E100C16MP12	21.0	CF/CM/CU60D	1300	41.0	31.6	15.00	12.25
TCD42B42S	TM9E100C16MP12	21.0	CF/CM42D	1300	40.5	31.4	14.75	12.25
TCD42B42S	TM9E100C16MP12	21.0	CF/CM64D	1275	41.5	31.6	15.00	12.25
TCD42B42S	TM9E100C20MP12	21.0	CF/CM/CU42C	1225	40.5	30.4	15.25	12.25
TCD42B42S	TM9E100C20MP12	21.0	CF/CM/CU48C	1225	41.0	30.6	15.25	12.25
TCD42B42S	TM9E100C20MP12	21.0	CF/CM/CU48D	1225	41.0	30.6	15.25	12.25
TCD42B42S	TM9E100C20MP12	21.0	CF/CM/CU60C	1225	40.5	30.0	15.25	12.25
TCD42B42S	TM9E100C20MP12	21.0	CF/CM/CU60D	1250	41.0	31.2	15.50	12.50
TCD42B42S	TM9E100C20MP12	21.0	CF/CM42D	1225	40.5	30.4	15.25	12.25
TCD42B42S	TM9E100C20MP12	21.0	CF/CM64D	1225	41.5	31.0	15.50	12.50
TCD42B42S	TM9E120D20MP12	24.5	CF/CM/CU48D	1250	41.0	31.0	15.25	12.25
TCD42B42S	TM9E120D20MP12	24.5	CF/CM/CU60D	1250	41.0	31.2	15.50	12.50

COOLING CAPACITY - With High Efficiency Motor Furnaces¹ (Continued)

UNIT MODEL	FURNACE		COIL MODEL ²	COOLING				
	MODEL	WIDTH		RATED CFM	NET MBH		SEER	EER
					TOTAL	SENS.		
TCD42B42S	TM9E120D20MP12	24.5	CF/CM42D	1250	40.5	31.0	15.25	12.25
TCD42B42S	TM9E120D20MP12	24.5	CF/CM64D	1250	42.0	31.8	15.50	12.50
TCD42B42S	TM9V080C16MP11C	21.0	CF/CM/CU42C	1225	40.5	30.4	14.75	12.25
TCD42B42S	TM9V080C16MP11C	21.0	CF/CM/CU48C	1225	40.5	30.2	14.75	12.25
TCD42B42S	TM9V080C16MP11C	21.0	CF/CM/CU48D	1225	40.5	30.2	15.00	12.25
TCD42B42S	TM9V080C16MP11C	21.0	CF/CM/CU60C	1225	40.5	30.0	14.75	12.25
TCD42B42S	TM9V080C16MP11C	21.0	CF/CM/CU60D	1225	40.5	30.2	14.75	12.25
TCD42B42S	TM9V080C16MP11C	21.0	CF/CM42D	1225	40.5	30.4	14.75	12.25
TCD42B42S	TM9V080C16MP11C	21.0	CF/CM64D	1225	41.5	31.0	15.00	12.25
TCD42B42S	TM9V080C16MP12C	21.0	CF/CM/CU42C	1225	40.5	30.4	14.75	12.25
TCD42B42S	TM9V080C16MP12C	21.0	CF/CM/CU48C	1225	40.5	30.2	14.75	12.25
TCD42B42S	TM9V080C16MP12C	21.0	CF/CM/CU48D	1225	40.5	30.2	15.00	12.25
TCD42B42S	TM9V080C16MP12C	21.0	CF/CM/CU60C	1225	40.5	30.0	14.75	12.25
TCD42B42S	TM9V080C16MP12C	21.0	CF/CM/CU60D	1225	40.5	30.2	14.75	12.25
TCD42B42S	TM9V080C16MP12C	21.0	CF/CM42D	1225	40.5	30.4	14.75	12.25
TCD42B42S	TM9V080C16MP12C	21.0	CF/CM64D	1225	41.5	31.0	15.00	12.25
TCD42B42S	TMLE080B12MP11	17.5	CF/CM/CU42C	1250	40.0	30.6	14.25	12.00
TCD42B42S	TMLE080B12MP11	17.5	CF/CM/CU48C	1250	40.5	30.4	14.25	12.00
TCD42B42S	TMLE080B12MP11	17.5	CF/CM/CU60C	1250	40.0	30.0	14.25	12.00
TCD42B42S	TMLE080C16MP11	21.0	CF/CM/CU42C	1275	40.5	31.2	15.00	12.25
TCD42B42S	TMLE080C16MP11	21.0	CF/CM/CU48C	1275	41.0	31.2	15.00	12.25
TCD42B42S	TMLE080C16MP11	21.0	CF/CM/CU48D	1300	41.0	31.4	15.00	12.25
TCD42B42S	TMLE080C16MP11	21.0	CF/CM/CU60C	1275	40.5	30.6	14.75	12.25
TCD42B42S	TMLE080C16MP11	21.0	CF/CM/CU60D	1300	41.0	31.6	15.00	12.25
TCD42B42S	TMLE080C16MP11	21.0	CF/CM42D	1300	41.0	31.8	15.00	12.25
TCD42B42S	TMLE080C16MP11	21.0	CF/CM64D	1275	42.0	32.0	15.25	12.25
TCD42B42S	TMLE080C20MP11	21.0	CF/CM/CU42C	1250	40.5	31.0	15.25	12.25
TCD42B42S	TMLE080C20MP11	21.0	CF/CM/CU48C	1250	41.0	31.0	15.25	12.25
TCD42B42S	TMLE080C20MP11	21.0	CF/CM/CU48D	1275	41.0	31.2	15.25	12.25
TCD42B42S	TMLE080C20MP11	21.0	CF/CM/CU60C	1250	40.5	30.4	15.25	12.25
TCD42B42S	TMLE080C20MP11	21.0	CF/CM/CU60D	1275	41.5	31.6	15.50	12.50
TCD42B42S	TMLE080C20MP11	21.0	CF/CM42D	1275	41.0	31.4	15.25	12.50
TCD42B42S	TMLE080C20MP11	21.0	CF/CM64D	1250	42.0	31.8	15.50	12.50
TCD42B42S	TMLE100B12MP11	17.5	CF/CM/CU42C	1250	40.5	31.0	14.50	12.00
TCD42B42S	TMLE100B12MP11	17.5	CF/CM/CU48C	1250	40.5	30.4	14.50	12.25
TCD42B42S	TMLE100B12MP11	17.5	CF/CM/CU60C	1250	40.0	30.0	14.25	12.00
TCD42B42S	TMLE100C16MP11	21.0	CF/CM/CU42C	1300	40.5	31.4	15.00	12.25
TCD42B42S	TMLE100C16MP11	21.0	CF/CM/CU48C	1300	41.0	31.4	15.00	12.25
TCD42B42S	TMLE100C16MP11	21.0	CF/CM/CU48D	1325	41.0	31.6	15.00	12.25
TCD42B42S	TMLE100C16MP11	21.0	CF/CM/CU60C	1300	40.5	30.8	14.75	12.25
TCD42B42S	TMLE100C16MP11	21.0	CF/CM/CU60D	1325	41.5	32.4	15.00	12.25
TCD42B42S	TMLE100C16MP11	21.0	CF/CM42D	1325	41.0	31.6	14.75	12.25
TCD42B42S	TMLE100C16MP11	21.0	CF/CM64D	1325	42.0	32.6	15.25	12.25
TCD42B42S	TMLE100C20MP11	21.0	CF/CM/CU42C	1250	40.5	31.0	15.25	12.25
TCD42B42S	TMLE100C20MP11	21.0	CF/CM/CU48C	1250	41.0	31.0	15.25	12.25
TCD42B42S	TMLE100C20MP11	21.0	CF/CM/CU48D	1275	41.0	31.2	15.25	12.25
TCD42B42S	TMLE100C20MP11	21.0	CF/CM/CU60C	1250	40.5	30.4	15.25	12.25
TCD42B42S	TMLE100C20MP11	21.0	CF/CM/CU60D	1275	41.5	31.8	15.50	12.50
TCD42B42S	TMLE100C20MP11	21.0	CF/CM42D	1275	41.0	31.4	15.25	12.25
TCD42B42S	TMLE100C20MP11	21.0	CF/CM64D	1250	42.0	31.8	15.50	12.50
TCD42B42S	TMLE120C16MP11	21.0	CF/CM/CU42C	1300	40.5	31.4	15.00	12.25
TCD42B42S	TMLE120C16MP11	21.0	CF/CM/CU48C	1325	41.0	31.6	15.25	12.25
TCD42B42S	TMLE120C16MP11	21.0	CF/CM/CU48D	1325	41.0	31.6	15.00	12.25

COOLING CAPACITY - With High Efficiency Motor Furnaces¹ (Continued)

UNIT MODEL	FURNACE		COIL MODEL ²	COOLING				
	MODEL	WIDTH		RATED CFM	NET MBH		SEER	EER
					TOTAL	SENS.		
TCD42B42S	TMLE120C16MP11	21.0	CF/CM/CU60C	1300	40.5	30.8	14.75	12.25
TCD42B42S	TMLE120C16MP11	21.0	CF/CM/CU60D	1325	41.5	32.4	15.00	12.25
TCD42B42S	TMLE120C16MP11	21.0	CF/CM42D	1325	41.0	31.6	15.00	12.25
TCD42B42S	TMLE120C16MP11	21.0	CF/CM64D	1325	42.0	32.6	15.25	12.25
TCD42B42S	TMLE120C20MP11	21.0	CF/CM/CU42C	1275	40.5	31.2	15.25	12.25
TCD42B42S	TMLE120C20MP11	21.0	CF/CM/CU48C	1300	41.0	31.4	15.25	12.25
TCD42B42S	TMLE120C20MP11	21.0	CF/CM/CU48D	1300	41.0	31.4	15.25	12.25
TCD42B42S	TMLE120C20MP11	21.0	CF/CM/CU60C	1275	40.5	30.4	15.00	12.25
TCD42B42S	TMLE120C20MP11	21.0	CF/CM/CU60D	1325	41.5	32.4	15.25	12.50
TCD42B42S	TMLE120C20MP11	21.0	CF/CM42D	1300	41.0	31.8	15.25	12.25
TCD42B42S	TMLE120C20MP11	21.0	CF/CM64D	1300	42.0	32.2	15.50	12.50
TCD42B42S	TMLE130D20MP11	24.5	CF/CM/CU48D	1300	41.5	31.6	15.25	12.25
TCD42B42S	TMLE130D20MP11	24.5	CF/CM/CU60D	1325	41.5	32.2	15.50	12.50
TCD42B42S	TMLE130D20MP11	24.5	CF/CM42D	1300	41.0	31.8	15.25	12.25
TCD42B42S	TMLE130D20MP11	24.5	CF/CM64D	1300	42.0	32.2	15.50	12.50
TCD42B42S	TP9C080C16MP13C	21.0	CF/CM/CU42C	1225	40.5	30.4	14.75	12.25
TCD42B42S	TP9C080C16MP13C	21.0	CF/CM/CU48C	1225	40.5	30.2	14.75	12.25
TCD42B42S	TP9C080C16MP13C	21.0	CF/CM/CU48D	1225	40.5	30.2	15.00	12.25
TCD42B42S	TP9C080C16MP13C	21.0	CF/CM/CU60C	1225	40.5	30.0	14.75	12.25
TCD42B42S	TP9C080C16MP13C	21.0	CF/CM/CU60D	1225	40.5	30.2	14.75	12.25
TCD42B42S	TP9C080C16MP13C	21.0	CF/CM42D	1225	40.5	30.4	14.75	12.25
TCD42B42S	TP9C080C16MP13C	21.0	CF/CM64D	1225	41.5	31.0	15.00	12.25
TCD42B42S	YP9C080C16MP13C	21.0	CF/CM/CU42C	1225	40.5	30.4	14.75	12.25
TCD42B42S	YP9C080C16MP13C	21.0	CF/CM/CU48C	1225	40.5	30.2	14.75	12.25
TCD42B42S	YP9C080C16MP13C	21.0	CF/CM/CU48D	1225	40.5	30.2	15.00	12.25
TCD42B42S	YP9C080C16MP13C	21.0	CF/CM/CU60C	1225	40.5	30.0	14.75	12.25
TCD42B42S	YP9C080C16MP13C	21.0	CF/CM/CU60D	1225	40.5	30.2	14.75	12.25
TCD42B42S	YP9C080C16MP13C	21.0	CF/CM42D	1225	40.5	30.4	14.75	12.25
TCD42B42S	YP9C080C16MP13C	21.0	CF/CM64D	1225	41.5	31.0	15.00	12.25
TCD48B31S	TL8E080C16UH11	21.0	CF/CM/CU48C	1400	48.0	35.0	15.00	12.50
TCD48B31S	TL8E080C16UH11	21.0	CF/CM/CU48D	1400	48.0	35.0	15.00	12.25
TCD48B31S	TL8E080C16UH11	21.0	CF/CM/CU60C	1375	48.0	35.0	14.75	12.25
TCD48B31S	TL8E080C16UH11	21.0	CF/CM/CU60D	1400	48.0	35.2	15.00	12.50
TCD48B31S	TL8E080C16UH11	21.0	CF/CM64D	1400	48.0	35.0	15.25	12.50
TCD48B31S	TL8E100C20UH11	21.0	CF/CM/CU48C	1400	48.0	35.0	15.25	12.50
TCD48B31S	TL8E100C20UH11	21.0	CF/CM/CU48D	1425	48.0	35.2	15.25	12.50
TCD48B31S	TL8E100C20UH11	21.0	CF/CM/CU60C	1400	48.0	35.0	15.25	12.50
TCD48B31S	TL8E100C20UH11	21.0	CF/CM/CU60D	1425	48.0	35.6	15.25	12.50
TCD48B31S	TL8E100C20UH11	21.0	CF/CM64D	1400	48.0	35.2	15.50	12.75
TCD48B31S	TL9E080C16UH11	21.0	CF/CM/CU48C	1400	48.0	35.0	14.75	12.25
TCD48B31S	TL9E080C16UH11	21.0	CF/CM/CU48D	1400	48.0	35.0	14.75	12.25
TCD48B31S	TL9E080C16UH11	21.0	CF/CM/CU60C	1400	48.0	35.0	14.50	12.25
TCD48B31S	TL9E080C16UH11	21.0	CF/CM/CU60D	1425	48.0	35.6	14.75	12.25
TCD48B31S	TL9E080C16UH11	21.0	CF/CM64D	1400	48.0	35.2	15.00	12.50
TCD48B31S	TL9E100C20UH11	21.0	CF/CM/CU48C	1400	48.0	35.0	15.25	12.50
TCD48B31S	TL9E100C20UH11	21.0	CF/CM/CU48D	1425	48.0	35.2	15.25	12.50
TCD48B31S	TL9E100C20UH11	21.0	CF/CM/CU60C	1400	48.0	35.0	15.00	12.50
TCD48B31S	TL9E100C20UH11	21.0	CF/CM/CU60D	1425	48.0	35.4	15.25	12.50
TCD48B31S	TL9E100C20UH11	21.0	CF/CM64D	1400	48.0	35.2	15.50	12.75
TCD48B31S	TM8E080B12MP11	17.5	CF/CM/CU48C	1325	48.0	34.6	14.25	12.00
TCD48B31S	TM8E080C16MP11	21.0	CF/CM/CU48C	1575	47.5	34.8	14.00	11.75
TCD48B31S	TM8E080C16MP11	21.0	CF/CM/CU48D	1600	48.0	35.4	14.00	11.75
TCD48B31S	TM8E080C16MP11	21.0	CF/CM/CU60C	1575	48.0	36.4	14.50	12.25

COOLING CAPACITY - With High Efficiency Motor Furnaces¹ (Continued)

UNIT MODEL	FURNACE		COIL MODEL ²	COOLING				
	MODEL	WIDTH		RATED CFM	NET MBH		SEER	EER
					TOTAL	SENS.		
TCD48B31S	TM8E080C16MP11	21.0	CF/CM/CU60D	1600	48.0	36.8	14.50	12.25
TCD48B31S	TM8E080C16MP11	21.0	CF/CM64D	1575	48.0	36.6	14.75	12.25
TCD48B31S	TM8E080C20MP11	21.0	CF/CM/CU48C	1450	48.0	35.6	15.25	12.50
TCD48B31S	TM8E080C20MP11	21.0	CF/CM/CU48D	1475	48.0	35.4	15.25	12.50
TCD48B31S	TM8E080C20MP11	21.0	CF/CM/CU60C	1450	48.0	35.4	15.25	12.50
TCD48B31S	TM8E080C20MP11	21.0	CF/CM/CU60D	1475	48.0	35.8	15.25	12.50
TCD48B31S	TM8E080C20MP11	21.0	CF/CM64D	1450	48.0	35.6	15.50	12.75
TCD48B31S	TM8E100C16MP11	21.0	CF/CM/CU48C	1300	48.0	33.8	15.25	12.50
TCD48B31S	TM8E100C16MP11	21.0	CF/CM/CU48D	1300	48.0	33.8	15.25	12.50
TCD48B31S	TM8E100C16MP11	21.0	CF/CM/CU60C	1575	48.0	36.4	14.50	12.25
TCD48B31S	TM8E100C16MP11	21.0	CF/CM/CU60D	1300	48.0	34.2	15.25	12.50
TCD48B31S	TM8E100C16MP11	21.0	CF/CM64D	1300	48.0	34.2	15.50	12.75
TCD48B31S	TM8E100C20MP11	21.0	CF/CM/CU48C	1425	48.0	35.2	15.25	12.50
TCD48B31S	TM8E100C20MP11	21.0	CF/CM/CU48D	1450	48.0	35.6	15.25	12.50
TCD48B31S	TM8E100C20MP11	21.0	CF/CM/CU60C	1425	48.0	35.0	15.00	12.50
TCD48B31S	TM8E100C20MP11	21.0	CF/CM/CU60D	1450	48.0	35.6	15.25	12.50
TCD48B31S	TM8E100C20MP11	21.0	CF/CM64D	1425	48.0	35.2	15.50	12.75
TCD48B31S	TM8E120C16MP11	21.0	CF/CM/CU48C	1300	48.0	33.8	15.25	12.50
TCD48B31S	TM8E120C16MP11	21.0	CF/CM/CU48D	1300	48.0	33.8	15.25	12.50
TCD48B31S	TM8E120C16MP11	21.0	CF/CM/CU60C	1300	48.0	34.0	15.25	12.50
TCD48B31S	TM8E120C16MP11	21.0	CF/CM/CU60D	1325	48.0	34.6	15.25	12.50
TCD48B31S	TM8E120C16MP11	21.0	CF/CM64D	1300	48.0	34.2	15.50	12.75
TCD48B31S	TM8E120C20MP11	21.0	CF/CM/CU48C	1425	48.0	35.2	15.25	12.50
TCD48B31S	TM8E120C20MP11	21.0	CF/CM/CU48D	1450	48.0	35.4	15.25	12.50
TCD48B31S	TM8E120C20MP11	21.0	CF/CM/CU60C	1425	48.0	35.0	15.25	12.50
TCD48B31S	TM8E120C20MP11	21.0	CF/CM/CU60D	1300	48.0	34.4	15.50	12.75
TCD48B31S	TM8E120C20MP11	21.0	CF/CM64D	1425	48.0	35.2	15.50	12.75
TCD48B31S	TM8E130D20MP11	24.5	CF/CM/CU48D	1425	48.0	35.2	15.50	12.75
TCD48B31S	TM8E130D20MP11	24.5	CF/CM/CU60D	1450	48.0	35.6	15.50	12.75
TCD48B31S	TM8E130D20MP11	24.5	CF/CM64D	1425	48.0	35.2	15.75	13.00
TCD48B31S	TM9E080B12MP12	17.5	CF/CM/CU48C	1325	48.0	34.6	14.25	12.00
TCD48B31S	TM9E080B12MP12	17.5	CF/CM/CU60C	1325	47.5	34.0	14.25	11.75
TCD48B31S	TM9E080C20MP12	21.0	CF/CM/CU48C	1400	48.0	35.0	15.25	12.50
TCD48B31S	TM9E080C20MP12	21.0	CF/CM/CU48D	1425	48.0	35.2	15.25	12.50
TCD48B31S	TM9E080C20MP12	21.0	CF/CM/CU60C	1400	48.0	35.0	15.00	12.50
TCD48B31S	TM9E080C20MP12	21.0	CF/CM/CU60D	1425	48.0	35.4	15.25	12.50
TCD48B31S	TM9E080C20MP12	21.0	CF/CM64D	1400	48.0	35.2	15.50	12.75
TCD48B31S	TM9E100C16MP12	21.0	CF/CM/CU60D	1600	48.0	37.0	14.25	12.00
TCD48B31S	TM9E100C20MP12	21.0	CF/CM/CU48C	1400	48.0	35.0	15.25	12.50
TCD48B31S	TM9E100C20MP12	21.0	CF/CM/CU48D	1425	48.0	35.2	15.25	12.50
TCD48B31S	TM9E100C20MP12	21.0	CF/CM/CU60C	1400	48.0	35.0	15.25	12.50
TCD48B31S	TM9E100C20MP12	21.0	CF/CM/CU60D	1425	48.0	35.4	15.25	12.50
TCD48B31S	TM9E100C20MP12	21.0	CF/CM64D	1400	48.0	35.2	15.50	12.75
TCD48B31S	TM9E120D20MP12	24.5	CF/CM/CU48D	1450	48.0	35.6	15.25	12.50
TCD48B31S	TM9E120D20MP12	24.5	CF/CM/CU60D	1450	48.0	35.6	15.25	12.50
TCD48B31S	TM9E120D20MP12	24.5	CF/CM64D	1450	48.0	35.6	15.50	12.75
TCD48B31S	TM9V080C16MP11C	21.0	CF/CM/CU48C	1300	47.0	33.2	15.25	12.50
TCD48B31S	TM9V080C16MP11C	21.0	CF/CM/CU48D	1300	47.0	33.0	15.25	12.75
TCD48B31S	TM9V080C16MP11C	21.0	CF/CM/CU60C	1300	47.0	33.2	15.00	12.50
TCD48B31S	TM9V080C16MP11C	21.0	CF/CM/CU60D	1300	47.0	33.2	15.00	12.50
TCD48B31S	TM9V080C16MP11C	21.0	CF/CM64D	1300	47.0	33.4	15.50	12.75
TCD48B31S	TM9V080C16MP12C	21.0	CF/CM/CU48C	1300	47.0	33.2	15.25	12.50
TCD48B31S	TM9V080C16MP12C	21.0	CF/CM/CU48D	1300	47.0	33.0	15.25	12.75

COOLING CAPACITY - With High Efficiency Motor Furnaces¹ (Continued)

UNIT MODEL	FURNACE		COIL MODEL ²	COOLING				
	MODEL	WIDTH		RATED CFM	NET MBH		SEER	EER
					TOTAL	SENS.		
TCD48B31S	TM9V080C16MP12C	21.0	CF/CM/CU60C	1300	47.0	33.2	15.00	12.50
TCD48B31S	TM9V080C16MP12C	21.0	CF/CM/CU60D	1300	47.0	33.2	15.00	12.50
TCD48B31S	TM9V080C16MP12C	21.0	CF/CM64D	1300	47.0	33.4	15.50	12.75
TCD48B31S	TMLE080B12MP11	17.5	CF/CM/CU48C	1325	48.0	34.6	14.25	12.00
TCD48B31S	TMLE080C16MP11	21.0	CF/CM/CU48C	1575	47.5	34.8	14.00	11.75
TCD48B31S	TMLE080C16MP11	21.0	CF/CM/CU48D	1600	48.0	35.4	14.00	11.75
TCD48B31S	TMLE080C16MP11	21.0	CF/CM/CU60C	1575	48.0	36.4	14.50	12.25
TCD48B31S	TMLE080C16MP11	21.0	CF/CM/CU60D	1600	48.0	36.8	14.50	12.25
TCD48B31S	TMLE080C16MP11	21.0	CF/CM64D	1575	48.0	36.6	14.75	12.25
TCD48B31S	TMLE080C20MP11	21.0	CF/CM/CU48C	1450	48.0	35.6	15.25	12.50
TCD48B31S	TMLE080C20MP11	21.0	CF/CM/CU48D	1475	48.0	35.4	15.25	12.50
TCD48B31S	TMLE080C20MP11	21.0	CF/CM/CU60C	1450	48.0	35.4	15.25	12.50
TCD48B31S	TMLE080C20MP11	21.0	CF/CM/CU60D	1475	48.0	35.8	15.25	12.50
TCD48B31S	TMLE080C20MP11	21.0	CF/CM64D	1450	48.0	35.6	15.50	12.75
TCD48B31S	TMLE100C16MP11	21.0	CF/CM/CU48C	1300	48.0	33.8	15.25	12.50
TCD48B31S	TMLE100C16MP11	21.0	CF/CM/CU48D	1300	48.0	33.8	15.25	12.50
TCD48B31S	TMLE100C16MP11	21.0	CF/CM/CU60C	1575	48.0	36.4	14.50	12.25
TCD48B31S	TMLE100C16MP11	21.0	CF/CM/CU60D	1300	48.0	34.2	15.25	12.50
TCD48B31S	TMLE100C16MP11	21.0	CF/CM64D	1300	48.0	34.2	15.50	12.75
TCD48B31S	TMLE100C20MP11	21.0	CF/CM/CU48C	1425	48.0	35.2	15.25	12.50
TCD48B31S	TMLE100C20MP11	21.0	CF/CM/CU48D	1450	48.0	35.6	15.25	12.50
TCD48B31S	TMLE100C20MP11	21.0	CF/CM/CU60C	1425	48.0	35.0	15.00	12.50
TCD48B31S	TMLE100C20MP11	21.0	CF/CM/CU60D	1450	48.0	35.6	15.25	12.50
TCD48B31S	TMLE100C20MP11	21.0	CF/CM64D	1425	48.0	35.2	15.50	12.75
TCD48B31S	TMLE120C16MP11	21.0	CF/CM/CU48C	1300	48.0	33.8	15.25	12.50
TCD48B31S	TMLE120C16MP11	21.0	CF/CM/CU48D	1300	48.0	33.8	15.25	12.50
TCD48B31S	TMLE120C16MP11	21.0	CF/CM/CU60C	1300	48.0	34.0	15.25	12.50
TCD48B31S	TMLE120C16MP11	21.0	CF/CM/CU60D	1325	48.0	34.6	15.25	12.50
TCD48B31S	TMLE120C16MP11	21.0	CF/CM64D	1300	48.0	34.2	15.50	12.75
TCD48B31S	TMLE120C20MP11	21.0	CF/CM/CU48C	1425	48.0	35.2	15.25	12.50
TCD48B31S	TMLE120C20MP11	21.0	CF/CM/CU48D	1450	48.0	35.4	15.25	12.50
TCD48B31S	TMLE120C20MP11	21.0	CF/CM/CU60C	1425	48.0	35.0	15.25	12.50
TCD48B31S	TMLE120C20MP11	21.0	CF/CM/CU60D	1300	48.0	34.4	15.50	12.75
TCD48B31S	TMLE120C20MP11	21.0	CF/CM64D	1425	48.0	35.2	15.50	12.75
TCD48B31S	TMLE130D20MP11	24.5	CF/CM/CU48D	1425	48.0	35.2	15.50	12.75
TCD48B31S	TMLE130D20MP11	24.5	CF/CM/CU60D	1450	48.0	35.6	15.50	12.75
TCD48B31S	TMLE130D20MP11	24.5	CF/CM64D	1425	48.0	35.2	15.75	13.00
TCD48B31S	TP9C080C16MP13C	21.0	CF/CM/CU48C	1300	47.0	33.2	15.25	12.50
TCD48B31S	TP9C080C16MP13C	21.0	CF/CM/CU48D	1300	47.0	33.0	15.25	12.75
TCD48B31S	TP9C080C16MP13C	21.0	CF/CM/CU60C	1300	47.0	33.2	15.00	12.50
TCD48B31S	TP9C080C16MP13C	21.0	CF/CM/CU60D	1300	47.0	33.2	15.00	12.50
TCD48B31S	TP9C080C16MP13C	21.0	CF/CM64D	1300	47.0	33.4	15.50	12.75
TCD48B31S	YP9C080C16MP13C	21.0	CF/CM/CU48C	1300	47.0	33.2	15.25	12.50
TCD48B31S	YP9C080C16MP13C	21.0	CF/CM/CU48D	1300	47.0	33.0	15.25	12.75
TCD48B31S	YP9C080C16MP13C	21.0	CF/CM/CU60C	1300	47.0	33.2	15.00	12.50
TCD48B31S	YP9C080C16MP13C	21.0	CF/CM/CU60D	1300	47.0	33.2	15.00	12.50
TCD48B31S	YP9C080C16MP13C	21.0	CF/CM64D	1300	47.0	33.4	15.50	12.75
TCD48B41S	TL8E080C16UH11	21.0	CF/CM/CU48C	1400	48.0	35.0	15.00	12.50
TCD48B41S	TL8E080C16UH11	21.0	CF/CM/CU48D	1400	48.0	35.0	15.00	12.25
TCD48B41S	TL8E080C16UH11	21.0	CF/CM/CU60C	1375	48.0	35.0	14.75	12.25
TCD48B41S	TL8E080C16UH11	21.0	CF/CM/CU60D	1400	48.0	35.2	15.00	12.50
TCD48B41S	TL8E080C16UH11	21.0	CF/CM64D	1400	48.0	35.0	15.25	12.50
TCD48B41S	TL8E100C20UH11	21.0	CF/CM/CU48C	1400	48.0	35.0	15.25	12.50

COOLING CAPACITY - With High Efficiency Motor Furnaces¹ (Continued)

UNIT MODEL	FURNACE		COIL MODEL ²	COOLING				
	MODEL	WIDTH		RATED CFM	NET MBH		SEER	EER
					TOTAL	SENS.		
TCD48B41S	TL8E100C20UH11	21.0	CF/CM/CU48D	1425	48.0	35.2	15.25	12.50
TCD48B41S	TL8E100C20UH11	21.0	CF/CM/CU60C	1400	48.0	35.0	15.25	12.50
TCD48B41S	TL8E100C20UH11	21.0	CF/CM/CU60D	1425	48.0	35.6	15.25	12.50
TCD48B41S	TL8E100C20UH11	21.0	CF/CM64D	1400	48.0	35.2	15.50	12.75
TCD48B41S	TL9E080C16UH11	21.0	CF/CM/CU48C	1400	48.0	35.0	14.75	12.25
TCD48B41S	TL9E080C16UH11	21.0	CF/CM/CU48D	1400	48.0	35.0	14.75	12.25
TCD48B41S	TL9E080C16UH11	21.0	CF/CM/CU60C	1400	48.0	35.0	14.50	12.25
TCD48B41S	TL9E080C16UH11	21.0	CF/CM/CU60D	1425	48.0	35.6	14.75	12.25
TCD48B41S	TL9E080C16UH11	21.0	CF/CM64D	1400	48.0	35.2	15.00	12.50
TCD48B41S	TL9E100C20UH11	21.0	CF/CM/CU48C	1400	48.0	35.0	15.25	12.50
TCD48B41S	TL9E100C20UH11	21.0	CF/CM/CU48D	1425	48.0	35.2	15.25	12.50
TCD48B41S	TL9E100C20UH11	21.0	CF/CM/CU60C	1400	48.0	35.0	15.00	12.50
TCD48B41S	TL9E100C20UH11	21.0	CF/CM/CU60D	1425	48.0	35.4	15.25	12.50
TCD48B41S	TL9E100C20UH11	21.0	CF/CM64D	1400	48.0	35.2	15.50	12.75
TCD48B41S	TM8E080B12MP11	17.5	CF/CM/CU48C	1325	48.0	34.6	14.25	12.00
TCD48B41S	TM8E080C16MP11	21.0	CF/CM/CU48C	1575	47.5	34.8	14.00	11.75
TCD48B41S	TM8E080C16MP11	21.0	CF/CM/CU48D	1600	48.0	35.4	14.00	11.75
TCD48B41S	TM8E080C16MP11	21.0	CF/CM/CU60C	1575	48.0	36.4	14.50	12.25
TCD48B41S	TM8E080C16MP11	21.0	CF/CM/CU60D	1600	48.0	36.8	14.50	12.25
TCD48B41S	TM8E080C16MP11	21.0	CF/CM64D	1575	48.0	36.6	14.75	12.25
TCD48B41S	TM8E080C20MP11	21.0	CF/CM/CU48C	1450	48.0	35.6	15.25	12.50
TCD48B41S	TM8E080C20MP11	21.0	CF/CM/CU48D	1475	48.0	35.4	15.25	12.50
TCD48B41S	TM8E080C20MP11	21.0	CF/CM/CU60C	1450	48.0	35.4	15.25	12.50
TCD48B41S	TM8E080C20MP11	21.0	CF/CM/CU60D	1475	48.0	35.8	15.25	12.50
TCD48B41S	TM8E080C20MP11	21.0	CF/CM64D	1450	48.0	35.6	15.50	12.75
TCD48B41S	TM8E100C16MP11	21.0	CF/CM/CU48C	1300	48.0	33.8	15.25	12.50
TCD48B41S	TM8E100C16MP11	21.0	CF/CM/CU48D	1300	48.0	33.8	15.25	12.50
TCD48B41S	TM8E100C16MP11	21.0	CF/CM/CU60C	1575	48.0	36.4	14.50	12.25
TCD48B41S	TM8E100C16MP11	21.0	CF/CM/CU60D	1300	48.0	34.2	15.25	12.50
TCD48B41S	TM8E100C16MP11	21.0	CF/CM64D	1300	48.0	34.2	15.50	12.75
TCD48B41S	TM8E100C20MP11	21.0	CF/CM/CU48C	1425	48.0	35.2	15.25	12.50
TCD48B41S	TM8E100C20MP11	21.0	CF/CM/CU48D	1450	48.0	35.6	15.25	12.50
TCD48B41S	TM8E100C20MP11	21.0	CF/CM/CU60C	1425	48.0	35.0	15.00	12.50
TCD48B41S	TM8E100C20MP11	21.0	CF/CM/CU60D	1450	48.0	35.6	15.25	12.50
TCD48B41S	TM8E100C20MP11	21.0	CF/CM64D	1425	48.0	35.2	15.50	12.75
TCD48B41S	TM8E120C16MP11	21.0	CF/CM/CU48C	1300	48.0	33.8	15.25	12.50
TCD48B41S	TM8E120C16MP11	21.0	CF/CM/CU48D	1300	48.0	33.8	15.25	12.50
TCD48B41S	TM8E120C16MP11	21.0	CF/CM/CU60C	1300	48.0	34.0	15.25	12.50
TCD48B41S	TM8E120C16MP11	21.0	CF/CM/CU60D	1325	48.0	34.6	15.25	12.50
TCD48B41S	TM8E120C16MP11	21.0	CF/CM64D	1300	48.0	34.2	15.50	12.75
TCD48B41S	TM8E120C20MP11	21.0	CF/CM/CU48C	1425	48.0	35.2	15.25	12.50
TCD48B41S	TM8E120C20MP11	21.0	CF/CM/CU48D	1450	48.0	35.4	15.25	12.50
TCD48B41S	TM8E120C20MP11	21.0	CF/CM/CU60C	1425	48.0	35.0	15.25	12.50
TCD48B41S	TM8E120C20MP11	21.0	CF/CM/CU60D	1300	48.0	34.4	15.50	12.75
TCD48B41S	TM8E120C20MP11	21.0	CF/CM64D	1425	48.0	35.2	15.50	12.75
TCD48B41S	TM8E130D20MP11	24.5	CF/CM/CU48D	1425	48.0	35.2	15.50	12.75
TCD48B41S	TM8E130D20MP11	24.5	CF/CM/CU60D	1450	48.0	35.6	15.50	12.75
TCD48B41S	TM8E130D20MP11	24.5	CF/CM64D	1425	48.0	35.2	15.75	13.00
TCD48B41S	TM9E080B12MP12	17.5	CF/CM/CU48C	1325	48.0	34.6	14.25	12.00
TCD48B41S	TM9E080B12MP12	17.5	CF/CM/CU60C	1325	47.5	34.0	14.25	11.75
TCD48B41S	TM9E080C20MP12	21.0	CF/CM/CU48C	1400	48.0	35.0	15.25	12.50
TCD48B41S	TM9E080C20MP12	21.0	CF/CM/CU48D	1425	48.0	35.2	15.25	12.50
TCD48B41S	TM9E080C20MP12	21.0	CF/CM/CU60C	1400	48.0	35.0	15.00	12.50

COOLING CAPACITY - With High Efficiency Motor Furnaces¹ (Continued)

UNIT MODEL	FURNACE		COIL MODEL ²	COOLING				
	MODEL	WIDTH		RATED CFM	NET MBH		SEER	EER
					TOTAL	SENS.		
TCD48B41S	TM9E080C20MP12	21.0	CF/CM/CU60D	1425	48.0	35.4	15.25	12.50
TCD48B41S	TM9E080C20MP12	21.0	CF/CM64D	1400	48.0	35.2	15.50	12.75
TCD48B41S	TM9E100C16MP12	21.0	CF/CM/CU60D	1600	48.0	37.0	14.25	12.00
TCD48B41S	TM9E100C20MP12	21.0	CF/CM/CU48C	1400	48.0	35.0	15.25	12.50
TCD48B41S	TM9E100C20MP12	21.0	CF/CM/CU48D	1425	48.0	35.2	15.25	12.50
TCD48B41S	TM9E100C20MP12	21.0	CF/CM/CU60C	1400	48.0	35.0	15.25	12.50
TCD48B41S	TM9E100C20MP12	21.0	CF/CM/CU60D	1425	48.0	35.4	15.25	12.50
TCD48B41S	TM9E100C20MP12	21.0	CF/CM64D	1400	48.0	35.2	15.50	12.75
TCD48B41S	TM9E120D20MP12	24.5	CF/CM/CU48D	1450	48.0	35.6	15.25	12.50
TCD48B41S	TM9E120D20MP12	24.5	CF/CM/CU60D	1450	48.0	35.6	15.25	12.50
TCD48B41S	TM9E120D20MP12	24.5	CF/CM64D	1450	48.0	35.6	15.50	12.75
TCD48B41S	TM9V080C16MP11C	21.0	CF/CM/CU48C	1300	47.0	33.2	15.25	12.50
TCD48B41S	TM9V080C16MP11C	21.0	CF/CM/CU48D	1300	47.0	33.0	15.25	12.75
TCD48B41S	TM9V080C16MP11C	21.0	CF/CM/CU60C	1300	47.0	33.2	15.00	12.50
TCD48B41S	TM9V080C16MP11C	21.0	CF/CM/CU60D	1300	47.0	33.2	15.00	12.50
TCD48B41S	TM9V080C16MP11C	21.0	CF/CM64D	1300	47.0	33.4	15.50	12.75
TCD48B41S	TM9V080C16MP12C	21.0	CF/CM/CU48C	1300	47.0	33.2	15.25	12.50
TCD48B41S	TM9V080C16MP12C	21.0	CF/CM/CU48D	1300	47.0	33.0	15.25	12.75
TCD48B41S	TM9V080C16MP12C	21.0	CF/CM/CU60C	1300	47.0	33.2	15.00	12.50
TCD48B41S	TM9V080C16MP12C	21.0	CF/CM/CU60D	1300	47.0	33.2	15.00	12.50
TCD48B41S	TM9V080C16MP12C	21.0	CF/CM64D	1300	47.0	33.4	15.50	12.75
TCD48B41S	TMLE080B12MP11	17.5	CF/CM/CU48C	1325	48.0	34.6	14.25	12.00
TCD48B41S	TMLE080C16MP11	21.0	CF/CM/CU48C	1575	47.5	34.8	14.00	11.75
TCD48B41S	TMLE080C16MP11	21.0	CF/CM/CU48D	1600	48.0	35.4	14.00	11.75
TCD48B41S	TMLE080C16MP11	21.0	CF/CM/CU60C	1575	48.0	36.4	14.50	12.25
TCD48B41S	TMLE080C16MP11	21.0	CF/CM/CU60D	1600	48.0	36.8	14.50	12.25
TCD48B41S	TMLE080C16MP11	21.0	CF/CM64D	1575	48.0	36.6	14.75	12.25
TCD48B41S	TMLE080C20MP11	21.0	CF/CM/CU48C	1450	48.0	35.6	15.25	12.50
TCD48B41S	TMLE080C20MP11	21.0	CF/CM/CU48D	1475	48.0	35.4	15.25	12.50
TCD48B41S	TMLE080C20MP11	21.0	CF/CM/CU60C	1450	48.0	35.4	15.25	12.50
TCD48B41S	TMLE080C20MP11	21.0	CF/CM/CU60D	1475	48.0	35.8	15.25	12.50
TCD48B41S	TMLE080C20MP11	21.0	CF/CM64D	1450	48.0	35.6	15.50	12.75
TCD48B41S	TMLE100C16MP11	21.0	CF/CM/CU48C	1300	48.0	33.8	15.25	12.50
TCD48B41S	TMLE100C16MP11	21.0	CF/CM/CU48D	1300	48.0	33.8	15.25	12.50
TCD48B41S	TMLE100C16MP11	21.0	CF/CM/CU60C	1575	48.0	36.4	14.50	12.25
TCD48B41S	TMLE100C16MP11	21.0	CF/CM/CU60D	1300	48.0	34.2	15.25	12.50
TCD48B41S	TMLE100C16MP11	21.0	CF/CM64D	1300	48.0	34.2	15.50	12.75
TCD48B41S	TMLE100C20MP11	21.0	CF/CM/CU48C	1425	48.0	35.2	15.25	12.50
TCD48B41S	TMLE100C20MP11	21.0	CF/CM/CU48D	1450	48.0	35.6	15.25	12.50
TCD48B41S	TMLE100C20MP11	21.0	CF/CM/CU60C	1425	48.0	35.0	15.00	12.50
TCD48B41S	TMLE100C20MP11	21.0	CF/CM/CU60D	1450	48.0	35.6	15.25	12.50
TCD48B41S	TMLE100C20MP11	21.0	CF/CM64D	1425	48.0	35.2	15.50	12.75
TCD48B41S	TMLE120C16MP11	21.0	CF/CM/CU48C	1300	48.0	33.8	15.25	12.50
TCD48B41S	TMLE120C16MP11	21.0	CF/CM/CU48D	1300	48.0	33.8	15.25	12.50
TCD48B41S	TMLE120C16MP11	21.0	CF/CM/CU60C	1300	48.0	34.0	15.25	12.50
TCD48B41S	TMLE120C16MP11	21.0	CF/CM/CU60D	1325	48.0	34.6	15.25	12.50
TCD48B41S	TMLE120C16MP11	21.0	CF/CM64D	1300	48.0	34.2	15.50	12.75
TCD48B41S	TMLE120C20MP11	21.0	CF/CM/CU48C	1425	48.0	35.2	15.25	12.50
TCD48B41S	TMLE120C20MP11	21.0	CF/CM/CU48D	1450	48.0	35.4	15.25	12.50
TCD48B41S	TMLE120C20MP11	21.0	CF/CM/CU60C	1425	48.0	35.0	15.25	12.50
TCD48B41S	TMLE120C20MP11	21.0	CF/CM/CU60D	1300	48.0	34.4	15.50	12.75
TCD48B41S	TMLE120C20MP11	21.0	CF/CM64D	1425	48.0	35.2	15.50	12.75
TCD48B41S	TMLE130D20MP11	24.5	CF/CM/CU48D	1425	48.0	35.2	15.50	12.75

COOLING CAPACITY - With High Efficiency Motor Furnaces¹ (Continued)

UNIT MODEL	FURNACE		COIL MODEL ²	COOLING				
	MODEL	WIDTH		RATED CFM	NET MBH		SEER	EER
					TOTAL	SENS.		
TCD48B41S	TMLE130D20MP11	24.5	CF/CM/CU60D	1450	48.0	35.6	15.50	12.75
TCD48B41S	TMLE130D20MP11	24.5	CF/CM64D	1425	48.0	35.2	15.75	13.00
TCD48B41S	TP9C080C16MP13C	21.0	CF/CM/CU48C	1300	47.0	33.2	15.25	12.50
TCD48B41S	TP9C080C16MP13C	21.0	CF/CM/CU48D	1300	47.0	33.0	15.25	12.75
TCD48B41S	TP9C080C16MP13C	21.0	CF/CM/CU60C	1300	47.0	33.2	15.00	12.50
TCD48B41S	TP9C080C16MP13C	21.0	CF/CM/CU60D	1300	47.0	33.2	15.00	12.50
TCD48B41S	TP9C080C16MP13C	21.0	CF/CM64D	1300	47.0	33.4	15.50	12.75
TCD48B41S	YP9C080C16MP13C	21.0	CF/CM/CU48C	1300	47.0	33.2	15.25	12.50
TCD48B41S	YP9C080C16MP13C	21.0	CF/CM/CU48D	1300	47.0	33.0	15.25	12.75
TCD48B41S	YP9C080C16MP13C	21.0	CF/CM/CU60C	1300	47.0	33.2	15.00	12.50
TCD48B41S	YP9C080C16MP13C	21.0	CF/CM/CU60D	1300	47.0	33.2	15.00	12.50
TCD48B41S	YP9C080C16MP13C	21.0	CF/CM64D	1300	47.0	33.4	15.50	12.75
TCD48B51S	TL8E080C16UH11	21.0	CF/CM/CU48C	1400	48.0	35.0	15.00	12.50
TCD48B51S	TL8E080C16UH11	21.0	CF/CM/CU48D	1400	48.0	35.0	15.00	12.25
TCD48B51S	TL8E080C16UH11	21.0	CF/CM/CU60C	1375	48.0	35.0	14.75	12.25
TCD48B51S	TL8E080C16UH11	21.0	CF/CM/CU60D	1400	48.0	35.2	15.00	12.50
TCD48B51S	TL8E080C16UH11	21.0	CF/CM64D	1400	48.0	35.0	15.25	12.50
TCD48B51S	TL8E100C20UH11	21.0	CF/CM/CU48C	1400	48.0	35.0	15.25	12.50
TCD48B51S	TL8E100C20UH11	21.0	CF/CM/CU48D	1425	48.0	35.2	15.25	12.50
TCD48B51S	TL8E100C20UH11	21.0	CF/CM/CU60C	1400	48.0	35.0	15.25	12.50
TCD48B51S	TL8E100C20UH11	21.0	CF/CM/CU60D	1425	48.0	35.6	15.25	12.50
TCD48B51S	TL8E100C20UH11	21.0	CF/CM64D	1400	48.0	35.2	15.50	12.75
TCD48B51S	TL9E080C16UH11	21.0	CF/CM/CU48C	1400	48.0	35.0	14.75	12.25
TCD48B51S	TL9E080C16UH11	21.0	CF/CM/CU48D	1400	48.0	35.0	14.75	12.25
TCD48B51S	TL9E080C16UH11	21.0	CF/CM/CU60C	1400	48.0	35.0	14.50	12.25
TCD48B51S	TL9E080C16UH11	21.0	CF/CM/CU60D	1425	48.0	35.6	14.75	12.25
TCD48B51S	TL9E080C16UH11	21.0	CF/CM64D	1400	48.0	35.2	15.00	12.50
TCD48B51S	TL9E100C20UH11	21.0	CF/CM/CU48C	1400	48.0	35.0	15.25	12.50
TCD48B51S	TL9E100C20UH11	21.0	CF/CM/CU48D	1425	48.0	35.2	15.25	12.50
TCD48B51S	TL9E100C20UH11	21.0	CF/CM/CU60C	1400	48.0	35.0	15.00	12.50
TCD48B51S	TL9E100C20UH11	21.0	CF/CM/CU60D	1425	48.0	35.4	15.25	12.50
TCD48B51S	TL9E100C20UH11	21.0	CF/CM64D	1400	48.0	35.2	15.50	12.75
TCD48B51S	TM8E080B12MP11	17.5	CF/CM/CU48C	1325	48.0	34.6	14.25	12.00
TCD48B51S	TM8E080C16MP11	21.0	CF/CM/CU48C	1575	47.5	34.8	14.00	11.75
TCD48B51S	TM8E080C16MP11	21.0	CF/CM/CU48D	1600	48.0	35.4	14.00	11.75
TCD48B51S	TM8E080C16MP11	21.0	CF/CM/CU60C	1575	48.0	36.4	14.50	12.25
TCD48B51S	TM8E080C16MP11	21.0	CF/CM/CU60D	1600	48.0	36.8	14.50	12.25
TCD48B51S	TM8E080C16MP11	21.0	CF/CM64D	1575	48.0	36.6	14.75	12.25
TCD48B51S	TM8E080C20MP11	21.0	CF/CM/CU48C	1450	48.0	35.6	15.25	12.50
TCD48B51S	TM8E080C20MP11	21.0	CF/CM/CU48D	1475	48.0	35.4	15.25	12.50
TCD48B51S	TM8E080C20MP11	21.0	CF/CM/CU60C	1450	48.0	35.4	15.25	12.50
TCD48B51S	TM8E080C20MP11	21.0	CF/CM/CU60D	1475	48.0	35.8	15.25	12.50
TCD48B51S	TM8E080C20MP11	21.0	CF/CM64D	1450	48.0	35.6	15.50	12.75
TCD48B51S	TM8E100C16MP11	21.0	CF/CM/CU48C	1300	48.0	33.8	15.25	12.50
TCD48B51S	TM8E100C16MP11	21.0	CF/CM/CU48D	1300	48.0	33.8	15.25	12.50
TCD48B51S	TM8E100C16MP11	21.0	CF/CM/CU60C	1575	48.0	36.4	14.50	12.25
TCD48B51S	TM8E100C16MP11	21.0	CF/CM/CU60D	1300	48.0	34.2	15.25	12.50
TCD48B51S	TM8E100C16MP11	21.0	CF/CM64D	1300	48.0	34.2	15.50	12.75
TCD48B51S	TM8E100C20MP11	21.0	CF/CM/CU48C	1425	48.0	35.2	15.25	12.50
TCD48B51S	TM8E100C20MP11	21.0	CF/CM/CU48D	1450	48.0	35.6	15.25	12.50
TCD48B51S	TM8E100C20MP11	21.0	CF/CM/CU60C	1425	48.0	35.0	15.00	12.50
TCD48B51S	TM8E100C20MP11	21.0	CF/CM/CU60D	1450	48.0	35.6	15.25	12.50
TCD48B51S	TM8E100C20MP11	21.0	CF/CM64D	1425	48.0	35.2	15.50	12.75

COOLING CAPACITY - With High Efficiency Motor Furnaces¹ (Continued)

UNIT MODEL	FURNACE		COIL MODEL ²	COOLING				
	MODEL	WIDTH		RATED CFM	NET MBH		SEER	EER
					TOTAL	SENS.		
TCD48B51S	TM8E120C16MP11	21.0	CF/CM/CU48C	1300	48.0	33.8	15.25	12.50
TCD48B51S	TM8E120C16MP11	21.0	CF/CM/CU48D	1300	48.0	33.8	15.25	12.50
TCD48B51S	TM8E120C16MP11	21.0	CF/CM/CU60C	1300	48.0	34.0	15.25	12.50
TCD48B51S	TM8E120C16MP11	21.0	CF/CM/CU60D	1325	48.0	34.6	15.25	12.50
TCD48B51S	TM8E120C16MP11	21.0	CF/CM64D	1300	48.0	34.2	15.50	12.75
TCD48B51S	TM8E120C20MP11	21.0	CF/CM/CU48C	1425	48.0	35.2	15.25	12.50
TCD48B51S	TM8E120C20MP11	21.0	CF/CM/CU48D	1450	48.0	35.4	15.25	12.50
TCD48B51S	TM8E120C20MP11	21.0	CF/CM/CU60C	1425	48.0	35.0	15.25	12.50
TCD48B51S	TM8E120C20MP11	21.0	CF/CM/CU60D	1300	48.0	34.4	15.50	12.75
TCD48B51S	TM8E120C20MP11	21.0	CF/CM64D	1425	48.0	35.2	15.50	12.75
TCD48B51S	TM8E130D20MP11	24.5	CF/CM/CU48D	1425	48.0	35.2	15.50	12.75
TCD48B51S	TM8E130D20MP11	24.5	CF/CM/CU60D	1450	48.0	35.6	15.50	12.75
TCD48B51S	TM8E130D20MP11	24.5	CF/CM64D	1425	48.0	35.2	15.75	13.00
TCD48B51S	TM9E080B12MP12	17.5	CF/CM/CU48C	1325	48.0	34.6	14.25	12.00
TCD48B51S	TM9E080B12MP12	17.5	CF/CM/CU60C	1325	47.5	34.0	14.25	11.75
TCD48B51S	TM9E080C20MP12	21.0	CF/CM/CU48C	1400	48.0	35.0	15.25	12.50
TCD48B51S	TM9E080C20MP12	21.0	CF/CM/CU48D	1425	48.0	35.2	15.25	12.50
TCD48B51S	TM9E080C20MP12	21.0	CF/CM/CU60C	1400	48.0	35.0	15.00	12.50
TCD48B51S	TM9E080C20MP12	21.0	CF/CM/CU60D	1425	48.0	35.4	15.25	12.50
TCD48B51S	TM9E080C20MP12	21.0	CF/CM64D	1400	48.0	35.2	15.50	12.75
TCD48B51S	TM9E100C16MP12	21.0	CF/CM/CU60D	1600	48.0	37.0	14.25	12.00
TCD48B51S	TM9E100C20MP12	21.0	CF/CM/CU48C	1400	48.0	35.0	15.25	12.50
TCD48B51S	TM9E100C20MP12	21.0	CF/CM/CU48D	1425	48.0	35.2	15.25	12.50
TCD48B51S	TM9E100C20MP12	21.0	CF/CM/CU60C	1400	48.0	35.0	15.25	12.50
TCD48B51S	TM9E100C20MP12	21.0	CF/CM/CU60D	1425	48.0	35.4	15.25	12.50
TCD48B51S	TM9E100C20MP12	21.0	CF/CM64D	1400	48.0	35.2	15.50	12.75
TCD48B51S	TM9E120D20MP12	24.5	CF/CM/CU48D	1450	48.0	35.6	15.25	12.50
TCD48B51S	TM9E120D20MP12	24.5	CF/CM/CU60D	1450	48.0	35.6	15.25	12.50
TCD48B51S	TM9E120D20MP12	24.5	CF/CM64D	1450	48.0	35.6	15.50	12.75
TCD48B51S	TM9V080C16MP11C	21.0	CF/CM/CU48C	1300	47.0	33.2	15.25	12.50
TCD48B51S	TM9V080C16MP11C	21.0	CF/CM/CU48D	1300	47.0	33.0	15.25	12.75
TCD48B51S	TM9V080C16MP11C	21.0	CF/CM/CU60C	1300	47.0	33.2	15.00	12.50
TCD48B51S	TM9V080C16MP11C	21.0	CF/CM/CU60D	1300	47.0	33.2	15.00	12.50
TCD48B51S	TM9V080C16MP11C	21.0	CF/CM64D	1300	47.0	33.4	15.50	12.75
TCD48B51S	TM9V080C16MP12C	21.0	CF/CM/CU48C	1300	47.0	33.2	15.25	12.50
TCD48B51S	TM9V080C16MP12C	21.0	CF/CM/CU48D	1300	47.0	33.0	15.25	12.75
TCD48B51S	TM9V080C16MP12C	21.0	CF/CM/CU60C	1300	47.0	33.2	15.00	12.50
TCD48B51S	TM9V080C16MP12C	21.0	CF/CM/CU60D	1300	47.0	33.2	15.00	12.50
TCD48B51S	TM9V080C16MP12C	21.0	CF/CM64D	1300	47.0	33.4	15.50	12.75
TCD48B51S	TMLE080B12MP11	17.5	CF/CM/CU48C	1325	48.0	34.6	14.25	12.00
TCD48B51S	TMLE080C16MP11	21.0	CF/CM/CU48C	1575	47.5	34.8	14.00	11.75
TCD48B51S	TMLE080C16MP11	21.0	CF/CM/CU48D	1600	48.0	35.4	14.00	11.75
TCD48B51S	TMLE080C16MP11	21.0	CF/CM/CU60C	1575	48.0	36.4	14.50	12.25
TCD48B51S	TMLE080C16MP11	21.0	CF/CM/CU60D	1600	48.0	36.8	14.50	12.25
TCD48B51S	TMLE080C16MP11	21.0	CF/CM64D	1575	48.0	36.6	14.75	12.25
TCD48B51S	TMLE080C20MP11	21.0	CF/CM/CU48C	1450	48.0	35.6	15.25	12.50
TCD48B51S	TMLE080C20MP11	21.0	CF/CM/CU48D	1475	48.0	35.4	15.25	12.50
TCD48B51S	TMLE080C20MP11	21.0	CF/CM/CU60C	1450	48.0	35.4	15.25	12.50
TCD48B51S	TMLE080C20MP11	21.0	CF/CM/CU60D	1475	48.0	35.8	15.25	12.50
TCD48B51S	TMLE080C20MP11	21.0	CF/CM64D	1450	48.0	35.6	15.50	12.75
TCD48B51S	TMLE100C16MP11	21.0	CF/CM/CU48C	1300	48.0	33.8	15.25	12.50
TCD48B51S	TMLE100C16MP11	21.0	CF/CM/CU48D	1300	48.0	33.8	15.25	12.50
TCD48B51S	TMLE100C16MP11	21.0	CF/CM/CU60C	1575	48.0	36.4	14.50	12.25

COOLING CAPACITY - With High Efficiency Motor Furnaces¹ (Continued)

UNIT MODEL	FURNACE		COIL MODEL ²	COOLING				
	MODEL	WIDTH		RATED CFM	NET MBH		SEER	EER
					TOTAL	SENS.		
TCD48B51S	TMLE100C16MP11	21.0	CF/CM/CU60D	1300	48.0	34.2	15.25	12.50
TCD48B51S	TMLE100C16MP11	21.0	CF/CM64D	1300	48.0	34.2	15.50	12.75
TCD48B51S	TMLE100C20MP11	21.0	CF/CM/CU48C	1425	48.0	35.2	15.25	12.50
TCD48B51S	TMLE100C20MP11	21.0	CF/CM/CU48D	1450	48.0	35.6	15.25	12.50
TCD48B51S	TMLE100C20MP11	21.0	CF/CM/CU60C	1425	48.0	35.0	15.00	12.50
TCD48B51S	TMLE100C20MP11	21.0	CF/CM/CU60D	1450	48.0	35.6	15.25	12.50
TCD48B51S	TMLE100C20MP11	21.0	CF/CM64D	1425	48.0	35.2	15.50	12.75
TCD48B51S	TMLE120C16MP11	21.0	CF/CM/CU48C	1300	48.0	33.8	15.25	12.50
TCD48B51S	TMLE120C16MP11	21.0	CF/CM/CU48D	1300	48.0	33.8	15.25	12.50
TCD48B51S	TMLE120C16MP11	21.0	CF/CM/CU60C	1300	48.0	34.0	15.25	12.50
TCD48B51S	TMLE120C16MP11	21.0	CF/CM/CU60D	1325	48.0	34.6	15.25	12.50
TCD48B51S	TMLE120C16MP11	21.0	CF/CM64D	1300	48.0	34.2	15.50	12.75
TCD48B51S	TMLE120C20MP11	21.0	CF/CM/CU48C	1425	48.0	35.2	15.25	12.50
TCD48B51S	TMLE120C20MP11	21.0	CF/CM/CU48D	1450	48.0	35.4	15.25	12.50
TCD48B51S	TMLE120C20MP11	21.0	CF/CM/CU60C	1425	48.0	35.0	15.25	12.50
TCD48B51S	TMLE120C20MP11	21.0	CF/CM/CU60D	1300	48.0	34.4	15.50	12.75
TCD48B51S	TMLE120C20MP11	21.0	CF/CM64D	1425	48.0	35.2	15.50	12.75
TCD48B51S	TMLE130D20MP11	24.5	CF/CM/CU48D	1425	48.0	35.2	15.50	12.75
TCD48B51S	TMLE130D20MP11	24.5	CF/CM/CU60D	1450	48.0	35.6	15.50	12.75
TCD48B51S	TMLE130D20MP11	24.5	CF/CM64D	1425	48.0	35.2	15.75	13.00
TCD48B51S	TP9C080C16MP13C	21.0	CF/CM/CU48C	1300	47.0	33.2	15.25	12.50
TCD48B51S	TP9C080C16MP13C	21.0	CF/CM/CU48D	1300	47.0	33.0	15.25	12.75
TCD48B51S	TP9C080C16MP13C	21.0	CF/CM/CU60C	1300	47.0	33.2	15.00	12.50
TCD48B51S	TP9C080C16MP13C	21.0	CF/CM/CU60D	1300	47.0	33.2	15.00	12.50
TCD48B51S	TP9C080C16MP13C	21.0	CF/CM64D	1300	47.0	33.4	15.50	12.75
TCD48B51S	YP9C080C16MP13C	21.0	CF/CM/CU48C	1300	47.0	33.2	15.25	12.50
TCD48B51S	YP9C080C16MP13C	21.0	CF/CM/CU48D	1300	47.0	33.0	15.25	12.75
TCD48B51S	YP9C080C16MP13C	21.0	CF/CM/CU60C	1300	47.0	33.2	15.00	12.50
TCD48B51S	YP9C080C16MP13C	21.0	CF/CM/CU60D	1300	47.0	33.2	15.00	12.50
TCD48B51S	YP9C080C16MP13C	21.0	CF/CM64D	1300	47.0	33.4	15.50	12.75
TCD60B31S	TL8E080C16UH11	21.0	CF/CM/CU60D	1575	55.5	40.5	13.75	11.50
TCD60B31S	TL8E080C16UH11	21.0	CF/CM64D	1550	56.0	40.5	14.00	11.75
TCD60B31S	TL8E100C20UH11	21.0	CF/CM/CU60C	1600	55.0	40.0	13.75	11.50
TCD60B31S	TL8E100C20UH11	21.0	CF/CM/CU60D	1625	56.0	41.5	14.00	11.75
TCD60B31S	TL8E100C20UH11	21.0	CF/CM64D	1600	57.0	41.5	14.25	12.00
TCD60B31S	TL9E100C20UH11	21.0	CF/CM/CU60C	1600	54.5	39.5	13.75	11.50
TCD60B31S	TL9E100C20UH11	21.0	CF/CM/CU60D	1625	56.0	41.5	14.00	11.75
TCD60B31S	TL9E100C20UH11	21.0	CF/CM64D	1600	57.0	41.5	14.00	11.75
TCD60B31S	TM8E080C16MP11	21.0	CF/CM/CU60D	1600	55.5	41.0	13.75	11.50
TCD60B31S	TM8E080C16MP11	21.0	CF/CM64D	1575	56.5	41.0	14.00	11.75
TCD60B31S	TM8E080C20MP11	21.0	CF/CM/CU60C	1550	55.0	39.5	13.75	11.50
TCD60B31S	TM8E080C20MP11	21.0	CF/CM/CU60D	1575	55.5	40.5	14.25	11.75
TCD60B31S	TM8E080C20MP11	21.0	CF/CM64D	1575	56.5	41.0	14.25	12.00
TCD60B31S	TM8E100C16MP11	21.0	CF/CM/CU60D	1600	55.5	41.0	13.75	11.50
TCD60B31S	TM8E100C16MP11	21.0	CF/CM64D	1575	56.5	41.0	14.00	11.75
TCD60B31S	TM8E100C20MP11	21.0	CF/CM/CU60D	1550	55.5	40.0	14.25	11.75
TCD60B31S	TM8E100C20MP11	21.0	CF/CM64D	1525	56.5	40.5	14.25	12.00
TCD60B31S	TM8E120C16MP11	21.0	CF/CM/CU60D	1600	55.5	41.0	14.00	11.50
TCD60B31S	TM8E120C16MP11	21.0	CF/CM64D	1575	56.5	41.0	14.00	11.75
TCD60B31S	TM8E120C20MP11	21.0	CF/CM/CU60D	1525	55.5	40.0	14.25	11.75
TCD60B31S	TM8E120C20MP11	21.0	CF/CM64D	1525	56.5	40.5	14.25	12.00
TCD60B31S	TM8E130D20MP11	24.5	CF/CM/CU60D	1650	56.0	41.5	14.00	11.75
TCD60B31S	TM8E130D20MP11	24.5	CF/CM64D	1625	57.0	42.0	14.25	12.00

COOLING CAPACITY - With High Efficiency Motor Furnaces¹ (Continued)

UNIT MODEL	FURNACE		COIL MODEL ²	COOLING				
	MODEL	WIDTH		RATED CFM	NET MBH		SEER	EER
					TOTAL	SENS.		
TCD60B31S	TM8V080C16MP11C	21.0	CF/CM64D	1650	56.5	40.0	14.00	11.75
TCD60B31S	TM8V080C16MP12C	21.0	CF/CM/CU60D	1700	55.5	41.5	14.00	11.70
TCD60B31S	TM8V100C16MP11C	21.0	CF/CM64D	1650	56.5	40.0	14.00	11.75
TCD60B31S	TM8V100C16MP12C	21.0	CF/CM/CU60D	1700	55.5	41.5	14.00	11.70
TCD60B31S	TM8V100C20MP11C	21.0	CF/CM/CU60D	1700	55.5	40.0	13.75	11.50
TCD60B31S	TM8V100C20MP12C	21.0	CF/CM/CU60C	1625	55.0	41.0	14.00	11.75
TCD60B31S	TM8V100C20MP12C	21.0	CF/CM/CU60D	1625	55.5	41.0	14.50	12.00
TCD60B31S	TM8V100C20MP12C	21.0	CF/CM64D	1550	55.0	39.5	14.00	11.75
TCD60B31S	TM8V120C20MP11C	21.0	CF/CM/CU60D	1700	55.5	40.0	13.75	11.50
TCD60B31S	TM8V120C20MP12C	21.0	CF/CM/CU60C	1625	55.0	41.0	14.00	11.75
TCD60B31S	TM8V120C20MP12C	21.0	CF/CM/CU60D	1625	55.5	41.0	14.50	12.00
TCD60B31S	TM8V120C20MP12C	21.0	CF/CM64D	1550	55.0	39.5	14.00	11.75
TCD60B31S	TM8X080C16MP11	21.0	CF/CM/CU60D	1550	54.0	39.0	14.00	11.70
TCD60B31S	TM8X080C16MP11	21.0	CF/CM64D	1525	55.0	39.0	13.75	11.50
TCD60B31S	TM8X100C16MP11	21.0	CF/CM/CU60D	1550	54.0	39.0	14.00	11.70
TCD60B31S	TM8X100C16MP11	21.0	CF/CM64D	1525	55.0	39.0	13.75	11.50
TCD60B31S	TM8X100C20MP11	21.0	CF/CM/CU60C	1550	54.5	39.5	14.00	11.75
TCD60B31S	TM8X100C20MP11	21.0	CF/CM/CU60D	1650	56.0	40.5	14.00	11.75
TCD60B31S	TM8X100C20MP11	21.0	CF/CM64D	1550	55.0	39.5	14.25	12.00
TCD60B31S	TM8X120C20MP11	21.0	CF/CM/CU60C	1550	54.5	39.5	14.00	11.75
TCD60B31S	TM8X120C20MP11	21.0	CF/CM/CU60D	1650	56.0	40.5	14.00	11.75
TCD60B31S	TM8X120C20MP11	21.0	CF/CM64D	1550	55.0	39.5	14.25	12.00
TCD60B31S	TM8Y080C16MP11	21.0	CF/CM/CU60D	1550	54.0	39.0	14.00	11.70
TCD60B31S	TM8Y080C16MP11	21.0	CF/CM64D	1525	55.0	39.0	13.75	11.50
TCD60B31S	TM8Y100C16MP11	21.0	CF/CM/CU60D	1550	54.0	39.0	14.00	11.70
TCD60B31S	TM8Y100C16MP11	21.0	CF/CM64D	1525	55.0	39.0	13.75	11.50
TCD60B31S	TM8Y100C20MP11	21.0	CF/CM/CU60C	1550	54.5	39.5	14.00	11.75
TCD60B31S	TM8Y100C20MP11	21.0	CF/CM/CU60D	1650	56.0	40.5	14.00	11.75
TCD60B31S	TM8Y100C20MP11	21.0	CF/CM64D	1550	55.0	39.5	14.25	12.00
TCD60B31S	TM8Y120C20MP11	21.0	CF/CM/CU60C	1550	54.5	39.5	14.00	11.75
TCD60B31S	TM8Y120C20MP11	21.0	CF/CM/CU60D	1650	56.0	40.5	14.00	11.75
TCD60B31S	TM8Y120C20MP11	21.0	CF/CM64D	1550	55.0	39.5	14.25	12.00
TCD60B31S	TM9E080C20MP12	21.0	CF/CM/CU60D	1525	55.5	40.0	14.25	11.75
TCD60B31S	TM9E080C20MP12	21.0	CF/CM64D	1750	57.5	43.5	14.00	11.75
TCD60B31S	TM9E100C20MP11	21.0	CF/CM/CU60C	1525	54.0	39.0	14.00	11.70
TCD60B31S	TM9E100C20MP11	21.0	CF/CM/CU60D	1625	56.0	40.0	13.75	11.75
TCD60B31S	TM9E100C20MP11	21.0	CF/CM64D	1550	55.0	39.5	13.75	11.50
TCD60B31S	TM9E100C20MP12	21.0	CF/CM/CU60D	1550	55.5	40.0	14.25	11.75
TCD60B31S	TM9E100C20MP12	21.0	CF/CM64D	1525	56.5	40.5	14.25	12.00
TCD60B31S	TM9E120D20MP11	24.5	CF/CM/CU60D	1625	56.0	40.0	14.00	11.75
TCD60B31S	TM9E120D20MP11	24.5	CF/CM64D	1575	55.5	40.0	14.00	11.50
TCD60B31S	TM9E120D20MP12	24.5	CF/CM/CU60D	1625	56.0	41.5	14.00	11.75
TCD60B31S	TM9E120D20MP12	24.5	CF/CM64D	1600	57.0	41.5	14.00	11.75
TCD60B31S	TM9V080C16MP11C	21.0	CF/CM/CU60C	1650	55.5	40.0	14.00	11.75
TCD60B31S	TM9V080C16MP11C	21.0	CF/CM64D	1650	56.5	40.0	14.00	11.75
TCD60B31S	TM9V100C16MP11C	21.0	CF/CM/CU60C	1600	54.5	40.0	13.75	11.50
TCD60B31S	TM9V100C16MP11C	21.0	CF/CM64D	1600	56.0	41.0	13.75	11.75
TCD60B31S	TM9V100C16MP12C	21.0	CF/CM/CU60C	1600	54.5	40.0	13.75	11.50
TCD60B31S	TM9V100C16MP12C	21.0	CF/CM/CU60D	1600	55.0	40.5	14.00	11.75
TCD60B31S	TM9V100C16MP12C	21.0	CF/CM64D	1600	56.0	41.0	13.75	11.75
TCD60B31S	TM9V100C20MP11C	21.0	CF/CM64D	1600	56.0	41.0	13.75	11.50
TCD60B31S	TM9V100C20MP12C	21.0	CF/CM/CU60C	1600	54.5	40.0	13.75	11.50
TCD60B31S	TM9V100C20MP12C	21.0	CF/CM64D	1600	56.0	41.0	13.75	11.50

COOLING CAPACITY - With High Efficiency Motor Furnaces¹ (Continued)

UNIT MODEL	FURNACE		COIL MODEL ²	COOLING				
	MODEL	WIDTH		RATED CFM	NET MBH		SEER	EER
					TOTAL	SENS.		
TCD60B31S	TM9V120D20MP11C	24.5	CF/CM/CU60D	1575	55.0	40.5	14.25	11.75
TCD60B31S	TM9V120D20MP11C	24.5	CF/CM64D	1575	56.0	40.5	14.00	11.50
TCD60B31S	TM9V120D20MP12C	24.5	CF/CM/CU60D	1575	55.0	40.5	14.25	11.75
TCD60B31S	TM9V120D20MP12C	24.5	CF/CM64D	1575	56.0	40.5	14.00	11.50
TCD60B31S	TM9Y100C20MP11	21.0	CF/CM/CU60C	1525	54.0	39.0	14.00	11.70
TCD60B31S	TM9Y100C20MP11	21.0	CF/CM/CU60D	1625	56.0	40.0	13.75	11.75
TCD60B31S	TM9Y100C20MP11	21.0	CF/CM64D	1550	55.0	39.5	13.75	11.50
TCD60B31S	TM9Y120D20MP11	24.5	CF/CM/CU60D	1625	56.0	40.0	14.00	11.75
TCD60B31S	TM9Y120D20MP11	24.5	CF/CM64D	1575	55.5	40.0	14.00	11.50
TCD60B31S	TMLE080C16MP11	21.0	CF/CM/CU60D	1600	55.5	41.0	13.75	11.50
TCD60B31S	TMLE080C16MP11	21.0	CF/CM64D	1575	56.5	41.0	14.00	11.75
TCD60B31S	TMLE080C20MP11	21.0	CF/CM/CU60C	1550	55.0	39.5	13.75	11.50
TCD60B31S	TMLE080C20MP11	21.0	CF/CM/CU60D	1575	55.5	40.5	14.25	11.75
TCD60B31S	TMLE080C20MP11	21.0	CF/CM64D	1575	56.5	41.0	14.25	12.00
TCD60B31S	TMLE100C16MP11	21.0	CF/CM/CU60D	1600	55.5	41.0	13.75	11.50
TCD60B31S	TMLE100C16MP11	21.0	CF/CM64D	1575	56.5	41.0	14.00	11.75
TCD60B31S	TMLE100C20MP11	21.0	CF/CM/CU60D	1550	55.5	40.0	14.25	11.75
TCD60B31S	TMLE100C20MP11	21.0	CF/CM64D	1525	56.5	40.5	14.25	12.00
TCD60B31S	TMLE120C16MP11	21.0	CF/CM/CU60D	1600	55.5	41.0	14.00	11.50
TCD60B31S	TMLE120C16MP11	21.0	CF/CM64D	1575	56.5	41.0	14.00	11.75
TCD60B31S	TMLE120C20MP11	21.0	CF/CM/CU60D	1525	55.5	40.0	14.25	11.75
TCD60B31S	TMLE120C20MP11	21.0	CF/CM64D	1525	56.5	40.5	14.25	12.00
TCD60B31S	TMLE130D20MP11	24.5	CF/CM/CU60D	1650	56.0	41.5	14.00	11.75
TCD60B31S	TMLE130D20MP11	24.5	CF/CM64D	1625	57.0	42.0	14.25	12.00
TCD60B31S	TMLV080C16MP11C	21.0	CF/CM64D	1650	56.5	40.0	14.00	11.75
TCD60B31S	TMLV080C16MP12C	21.0	CF/CM/CU60D	1700	55.5	41.5	14.00	11.70
TCD60B31S	TMLV100C16MP11C	21.0	CF/CM64D	1650	56.5	40.0	14.00	11.75
TCD60B31S	TMLV100C16MP12C	21.0	CF/CM/CU60D	1700	55.5	41.5	14.00	11.70
TCD60B31S	TMLV100C20MP11C	21.0	CF/CM/CU60D	1700	55.5	40.0	13.75	11.50
TCD60B31S	TMLV100C20MP12C	21.0	CF/CM/CU60C	1625	55.0	41.0	14.00	11.75
TCD60B31S	TMLV100C20MP12C	21.0	CF/CM/CU60D	1625	55.5	41.0	14.50	12.00
TCD60B31S	TMLV100C20MP12C	21.0	CF/CM64D	1550	55.0	39.5	14.00	11.75
TCD60B31S	TMLV120C20MP11C	21.0	CF/CM/CU60D	1700	55.5	40.0	13.75	11.50
TCD60B31S	TMLV120C20MP12C	21.0	CF/CM/CU60C	1625	55.0	41.0	14.00	11.75
TCD60B31S	TMLV120C20MP12C	21.0	CF/CM/CU60D	1625	55.5	41.0	14.50	12.00
TCD60B31S	TMLV120C20MP12C	21.0	CF/CM64D	1550	55.0	39.5	14.00	11.75
TCD60B31S	TMLX080C16MP11	21.0	CF/CM/CU60D	1550	54.0	39.0	14.00	11.70
TCD60B31S	TMLX080C16MP11	21.0	CF/CM64D	1525	55.0	39.0	13.75	11.50
TCD60B31S	TMLX100C16MP11	21.0	CF/CM/CU60D	1550	54.0	39.0	14.00	11.70
TCD60B31S	TMLX100C16MP11	21.0	CF/CM64D	1525	55.0	39.0	13.75	11.50
TCD60B31S	TMLX100C20MP11	21.0	CF/CM/CU60C	1550	54.5	39.5	14.00	11.75
TCD60B31S	TMLX100C20MP11	21.0	CF/CM/CU60D	1650	56.0	40.5	14.00	11.75
TCD60B31S	TMLX100C20MP11	21.0	CF/CM64D	1550	55.0	39.5	14.25	12.00
TCD60B31S	TMLX120C20MP11	21.0	CF/CM/CU60C	1550	54.5	39.5	14.00	11.75
TCD60B31S	TMLX120C20MP11	21.0	CF/CM/CU60D	1650	56.0	40.5	14.00	11.75
TCD60B31S	TMLX120C20MP11	21.0	CF/CM64D	1550	55.0	39.5	14.25	12.00
TCD60B31S	TP9C080C16MP12C	21.0	CF/CM/CU60C	1650	55.5	40.0	14.00	11.75
TCD60B31S	TP9C080C16MP12C	21.0	CF/CM64D	1650	56.5	40.0	14.00	11.75
TCD60B31S	TP9C100C16MP12C	21.0	CF/CM/CU60C	1600	54.5	40.0	13.75	11.50
TCD60B31S	TP9C100C16MP12C	21.0	CF/CM64D	1600	56.0	41.0	13.75	11.75
TCD60B31S	TP9C100C16MP13C	21.0	CF/CM/CU60C	1600	54.5	40.0	13.75	11.50
TCD60B31S	TP9C100C16MP13C	21.0	CF/CM/CU60D	1600	55.0	40.5	14.00	11.75
TCD60B31S	TP9C100C16MP13C	21.0	CF/CM64D	1600	56.0	41.0	13.75	11.75

COOLING CAPACITY - With High Efficiency Motor Furnaces¹ (Continued)

UNIT MODEL	FURNACE		COIL MODEL ²	COOLING				
	MODEL	WIDTH		RATED CFM	NET MBH		SEER	EER
					TOTAL	SENS.		
TCD60B31S	TP9C100C20MP12C	21.0	CF/CM64D	1600	56.0	41.0	13.75	11.50
TCD60B31S	TP9C100C20MP13C	21.0	CF/CM/CU60C	1600	54.5	40.0	13.75	11.50
TCD60B31S	TP9C100C20MP13C	21.0	CF/CM64D	1600	56.0	41.0	13.75	11.50
TCD60B31S	TP9C120D20MP12C	24.5	CF/CM/CU60D	1575	55.0	40.5	14.25	11.75
TCD60B31S	TP9C120D20MP12C	24.5	CF/CM64D	1575	56.0	40.5	14.00	11.50
TCD60B31S	TP9C120D20MP13C	24.5	CF/CM/CU60D	1575	55.0	40.5	14.25	11.75
TCD60B31S	TP9C120D20MP13C	24.5	CF/CM64D	1575	56.0	40.5	14.00	11.50
TCD60B31S	TPLC080C16MP12C	21.0	CF/CM64D	1650	56.5	40.0	14.00	11.75
TCD60B31S	TPLC080C16MP13C	21.0	CF/CM/CU60D	1700	55.5	41.5	14.00	11.70
TCD60B31S	TPLC100C16MP12C	21.0	CF/CM64D	1650	56.5	40.0	14.00	11.75
TCD60B31S	TPLC100C16MP13C	21.0	CF/CM/CU60D	1700	55.5	41.5	14.00	11.70
TCD60B31S	TPLC100C20MP12C	21.0	CF/CM/CU60D	1700	55.5	40.0	13.75	11.50
TCD60B31S	TPLC100C20MP13C	21.0	CF/CM/CU60C	1625	55.0	41.0	14.00	11.75
TCD60B31S	TPLC100C20MP13C	21.0	CF/CM/CU60D	1625	55.5	41.0	14.50	12.00
TCD60B31S	TPLC100C20MP13C	21.0	CF/CM64D	1550	55.0	39.5	14.00	11.75
TCD60B31S	TPLC120C20MP12C	21.0	CF/CM/CU60D	1700	55.5	40.0	13.75	11.50
TCD60B31S	TPLC120C20MP13C	21.0	CF/CM/CU60C	1625	55.0	41.0	14.00	11.75
TCD60B31S	TPLC120C20MP13C	21.0	CF/CM/CU60D	1625	55.5	41.0	14.50	12.00
TCD60B31S	TPLC120C20MP13C	21.0	CF/CM64D	1550	55.0	39.5	14.00	11.75
TCD60B31S	YP9C080C16MP12C	21.0	CF/CM/CU60C	1650	55.5	40.0	14.00	11.75
TCD60B31S	YP9C080C16MP12C	21.0	CF/CM64D	1650	56.5	40.0	14.00	11.75
TCD60B31S	YP9C100C16MP12C	21.0	CF/CM/CU60C	1600	54.5	40.0	13.75	11.50
TCD60B31S	YP9C100C16MP12C	21.0	CF/CM64D	1600	56.0	41.0	13.75	11.75
TCD60B31S	YP9C100C16MP13C	21.0	CF/CM/CU60C	1600	54.5	40.0	13.75	11.50
TCD60B31S	YP9C100C16MP13C	21.0	CF/CM/CU60D	1600	55.0	40.5	14.00	11.75
TCD60B31S	YP9C100C16MP13C	21.0	CF/CM64D	1600	56.0	41.0	13.75	11.75
TCD60B31S	YP9C100C20MP12C	21.0	CF/CM64D	1600	56.0	41.0	13.75	11.50
TCD60B31S	YP9C100C20MP13C	21.0	CF/CM/CU60C	1600	54.5	40.0	13.75	11.50
TCD60B31S	YP9C100C20MP13C	21.0	CF/CM64D	1600	56.0	41.0	13.75	11.50
TCD60B31S	YP9C100C20MP13C	21.0	CF/CM64D	1600	56.0	41.0	13.75	11.50
TCD60B31S	YP9C100C20MP13C	21.0	CF/CM64D	1600	56.0	41.0	13.75	11.50
TCD60B31S	YP9C120D20MP12C	24.5	CF/CM/CU60D	1575	55.0	40.5	14.25	11.75
TCD60B31S	YP9C120D20MP12C	24.5	CF/CM64D	1575	56.0	40.5	14.00	11.50
TCD60B31S	YP9C120D20MP13C	24.5	CF/CM/CU60D	1575	55.0	40.5	14.25	11.75
TCD60B31S	YP9C120D20MP13C	24.5	CF/CM64D	1575	56.0	40.5	14.00	11.50
TCD60B31S	YPLC080C16MP12C	21.0	CF/CM64D	1650	56.5	40.0	14.00	11.75
TCD60B31S	YPLC080C16MP13C	21.0	CF/CM/CU60D	1700	55.5	41.5	14.00	11.70
TCD60B31S	YPLC100C16MP12C	21.0	CF/CM64D	1650	56.5	40.0	14.00	11.75
TCD60B31S	YPLC100C16MP13C	21.0	CF/CM/CU60D	1700	55.5	41.5	14.00	11.70
TCD60B31S	YPLC100C20MP12C	21.0	CF/CM/CU60D	1700	55.5	40.0	13.75	11.50
TCD60B31S	YPLC100C20MP13C	21.0	CF/CM/CU60C	1625	55.0	41.0	14.00	11.75
TCD60B31S	YPLC100C20MP13C	21.0	CF/CM/CU60D	1625	55.5	41.0	14.50	12.00
TCD60B31S	YPLC100C20MP13C	21.0	CF/CM64D	1550	55.0	39.5	14.00	11.75
TCD60B31S	YPLC120C20MP12C	21.0	CF/CM/CU60D	1700	55.5	40.0	13.75	11.50
TCD60B31S	YPLC120C20MP13C	21.0	CF/CM/CU60C	1625	55.0	41.0	14.00	11.75
TCD60B31S	YPLC120C20MP13C	21.0	CF/CM/CU60D	1625	55.5	41.0	14.50	12.00
TCD60B31S	YPLC120C20MP13C	21.0	CF/CM64D	1550	55.0	39.5	14.00	11.75
TCD60B41S	TL8E080C16UH11	21.0	CF/CM/CU60D	1575	55.5	40.5	13.75	11.50
TCD60B41S	TL8E080C16UH11	21.0	CF/CM64D	1550	56.0	40.5	14.00	11.75
TCD60B41S	TL8E100C20UH11	21.0	CF/CM/CU60C	1600	55.0	40.0	13.75	11.50
TCD60B41S	TL8E100C20UH11	21.0	CF/CM/CU60D	1625	56.0	41.5	14.00	11.75
TCD60B41S	TL8E100C20UH11	21.0	CF/CM64D	1600	57.0	41.5	14.25	12.00
TCD60B41S	TL9E100C20UH11	21.0	CF/CM/CU60C	1600	54.5	39.5	13.75	11.50
TCD60B41S	TL9E100C20UH11	21.0	CF/CM/CU60D	1625	56.0	41.5	14.00	11.75
TCD60B41S	TL9E100C20UH11	21.0	CF/CM64D	1600	57.0	41.5	14.00	11.75

COOLING CAPACITY - With High Efficiency Motor Furnaces¹ (Continued)

UNIT MODEL	FURNACE		COIL MODEL ²	COOLING				
	MODEL	WIDTH		RATED CFM	NET MBH		SEER	EER
					TOTAL	SENS.		
TCD60B41S	TM8E080C16MP11	21.0	CF/CM/CU60D	1600	55.5	41.0	13.75	11.50
TCD60B41S	TM8E080C16MP11	21.0	CF/CM64D	1575	56.5	41.0	14.00	11.75
TCD60B41S	TM8E080C20MP11	21.0	CF/CM/CU60C	1550	55.0	39.5	13.75	11.50
TCD60B41S	TM8E080C20MP11	21.0	CF/CM/CU60D	1575	55.5	40.5	14.25	11.75
TCD60B41S	TM8E080C20MP11	21.0	CF/CM64D	1575	56.5	41.0	14.25	12.00
TCD60B41S	TM8E100C16MP11	21.0	CF/CM/CU60D	1600	55.5	41.0	13.75	11.50
TCD60B41S	TM8E100C16MP11	21.0	CF/CM64D	1575	56.5	41.0	14.00	11.75
TCD60B41S	TM8E100C20MP11	21.0	CF/CM/CU60D	1550	55.5	40.0	14.25	11.75
TCD60B41S	TM8E100C20MP11	21.0	CF/CM64D	1525	56.5	40.5	14.25	12.00
TCD60B41S	TM8E120C16MP11	21.0	CF/CM/CU60D	1600	55.5	41.0	14.00	11.50
TCD60B41S	TM8E120C16MP11	21.0	CF/CM64D	1575	56.5	41.0	14.00	11.75
TCD60B41S	TM8E120C20MP11	21.0	CF/CM/CU60D	1525	55.5	40.0	14.25	11.75
TCD60B41S	TM8E120C20MP11	21.0	CF/CM64D	1525	56.5	40.5	14.25	12.00
TCD60B41S	TM8E130D20MP11	24.5	CF/CM/CU60D	1650	56.0	41.5	14.00	11.75
TCD60B41S	TM8E130D20MP11	24.5	CF/CM64D	1625	57.0	42.0	14.25	12.00
TCD60B41S	TM8V080C16MP11C	21.0	CF/CM64D	1650	56.5	40.0	13.75	11.50
TCD60B41S	TM8V080C16MP12C	21.0	CF/CM/CU60D	1700	55.5	41.5	14.00	11.70
TCD60B41S	TM8V100C16MP11C	21.0	CF/CM64D	1650	56.5	40.0	13.75	11.50
TCD60B41S	TM8V100C16MP12C	21.0	CF/CM/CU60D	1700	55.5	41.5	14.00	11.70
TCD60B41S	TM8V100C20MP11C	21.0	CF/CM/CU60D	1700	55.5	40.0	13.75	11.50
TCD60B41S	TM8V100C20MP12C	21.0	CF/CM/CU60C	1625	55.0	41.0	14.00	11.75
TCD60B41S	TM8V100C20MP12C	21.0	CF/CM/CU60D	1625	55.5	41.0	14.50	12.00
TCD60B41S	TM8V100C20MP12C	21.0	CF/CM64D	1550	55.5	40.0	14.00	12.00
TCD60B41S	TM8V120C20MP11C	21.0	CF/CM/CU60D	1700	55.5	40.0	13.75	11.50
TCD60B41S	TM8V120C20MP12C	21.0	CF/CM/CU60C	1625	55.0	41.0	14.00	11.75
TCD60B41S	TM8V120C20MP12C	21.0	CF/CM/CU60D	1625	55.5	41.0	14.50	12.00
TCD60B41S	TM8V120C20MP12C	21.0	CF/CM64D	1550	55.5	40.0	14.00	12.00
TCD60B41S	TM8X080C16MP11	21.0	CF/CM/CU60D	1550	54.0	39.0	14.00	11.70
TCD60B41S	TM8X080C16MP11	21.0	CF/CM64D	1525	55.0	39.0	13.75	11.50
TCD60B41S	TM8X100C16MP11	21.0	CF/CM/CU60D	1550	54.0	39.0	14.00	11.70
TCD60B41S	TM8X100C16MP11	21.0	CF/CM64D	1525	55.0	39.0	13.75	11.50
TCD60B41S	TM8X100C20MP11	21.0	CF/CM/CU60C	1625	56.0	40.0	14.00	11.75
TCD60B41S	TM8X100C20MP11	21.0	CF/CM/CU60D	1650	56.0	40.5	14.00	11.75
TCD60B41S	TM8X100C20MP11	21.0	CF/CM64D	1550	55.5	40.0	14.25	12.00
TCD60B41S	TM8X120C20MP11	21.0	CF/CM/CU60C	1625	56.0	40.0	14.00	11.75
TCD60B41S	TM8X120C20MP11	21.0	CF/CM/CU60D	1650	56.0	40.5	14.00	11.75
TCD60B41S	TM8X120C20MP11	21.0	CF/CM64D	1550	55.5	40.0	14.25	12.00
TCD60B41S	TM8Y080C16MP11	21.0	CF/CM/CU60D	1550	54.0	39.0	14.00	11.70
TCD60B41S	TM8Y080C16MP11	21.0	CF/CM64D	1525	55.0	39.0	13.75	11.50
TCD60B41S	TM8Y100C16MP11	21.0	CF/CM/CU60D	1550	54.0	39.0	14.00	11.70
TCD60B41S	TM8Y100C16MP11	21.0	CF/CM64D	1525	55.0	39.0	13.75	11.50
TCD60B41S	TM8Y100C20MP11	21.0	CF/CM/CU60C	1625	56.0	40.0	14.00	11.75
TCD60B41S	TM8Y100C20MP11	21.0	CF/CM/CU60D	1650	56.0	40.5	14.00	11.75
TCD60B41S	TM8Y100C20MP11	21.0	CF/CM64D	1550	55.5	40.0	14.25	12.00
TCD60B41S	TM8Y120C20MP11	21.0	CF/CM/CU60C	1625	56.0	40.0	14.00	11.75
TCD60B41S	TM8Y120C20MP11	21.0	CF/CM/CU60D	1650	56.0	40.5	14.00	11.75
TCD60B41S	TM8Y120C20MP11	21.0	CF/CM64D	1550	55.5	40.0	14.25	12.00
TCD60B41S	TM9E080C20MP12	21.0	CF/CM/CU60D	1525	55.5	40.0	14.25	11.75
TCD60B41S	TM9E080C20MP12	21.0	CF/CM64D	1750	57.5	43.5	14.00	11.75
TCD60B41S	TM9E100C20MP11	21.0	CF/CM/CU60C	1525	54.0	39.0	14.00	11.70
TCD60B41S	TM9E100C20MP11	21.0	CF/CM/CU60D	1625	56.0	39.5	13.75	11.75
TCD60B41S	TM9E100C20MP11	21.0	CF/CM64D	1550	55.5	40.0	13.75	11.50
TCD60B41S	TM9E100C20MP12	21.0	CF/CM/CU60D	1550	55.5	40.0	14.25	11.75

COOLING CAPACITY - With High Efficiency Motor Furnaces¹ (Continued)

UNIT MODEL	FURNACE		COIL MODEL ²	COOLING				
	MODEL	WIDTH		RATED CFM	NET MBH		SEER	EER
					TOTAL	SENS.		
TCD60B41S	TM9E100C20MP12	21.0	CF/CM64D	1525	56.5	40.5	14.25	12.00
TCD60B41S	TM9E120D20MP11	24.5	CF/CM/CU60D	1625	56.0	40.0	14.00	11.75
TCD60B41S	TM9E120D20MP11	24.5	CF/CM64D	1575	56.0	40.5	14.00	11.50
TCD60B41S	TM9E120D20MP12	24.5	CF/CM/CU60D	1625	56.0	41.5	14.00	11.75
TCD60B41S	TM9E120D20MP12	24.5	CF/CM64D	1600	57.0	41.5	14.00	11.75
TCD60B41S	TM9V080C16MP11C	21.0	CF/CM/CU60C	1650	55.5	40.0	14.00	11.75
TCD60B41S	TM9V080C16MP11C	21.0	CF/CM64D	1650	56.5	40.0	14.00	11.75
TCD60B41S	TM9V100C16MP11C	21.0	CF/CM/CU60C	1600	54.5	40.0	13.75	11.50
TCD60B41S	TM9V100C16MP11C	21.0	CF/CM64D	1650	56.5	40.0	14.00	11.75
TCD60B41S	TM9V100C16MP12C	21.0	CF/CM/CU60C	1600	54.5	40.0	13.75	11.50
TCD60B41S	TM9V100C16MP12C	21.0	CF/CM/CU60D	1600	55.0	40.5	14.00	11.75
TCD60B41S	TM9V100C16MP12C	21.0	CF/CM64D	1600	56.0	41.0	13.75	11.75
TCD60B41S	TM9V100C20MP11C	21.0	CF/CM64D	1675	56.5	40.0	13.75	11.50
TCD60B41S	TM9V100C20MP12C	21.0	CF/CM/CU60C	1600	55.0	40.5	13.75	11.50
TCD60B41S	TM9V100C20MP12C	21.0	CF/CM64D	1600	56.0	41.0	13.75	11.50
TCD60B41S	TM9V120D20MP11C	24.5	CF/CM/CU60D	1775	56.5	42.0	13.75	11.50
TCD60B41S	TM9V120D20MP11C	24.5	CF/CM64D	1750	57.0	41.5	13.75	11.50
TCD60B41S	TM9V120D20MP12C	24.5	CF/CM/CU60D	1575	55.0	40.5	14.25	11.75
TCD60B41S	TM9V120D20MP12C	24.5	CF/CM64D	1575	56.0	40.5	14.00	11.50
TCD60B41S	TM9Y100C20MP11	21.0	CF/CM/CU60C	1525	54.0	39.0	14.00	11.70
TCD60B41S	TM9Y100C20MP11	21.0	CF/CM/CU60D	1625	56.0	39.5	13.75	11.75
TCD60B41S	TM9Y100C20MP11	21.0	CF/CM64D	1550	55.5	40.0	13.75	11.50
TCD60B41S	TM9Y120D20MP11	24.5	CF/CM/CU60D	1625	56.0	40.0	14.00	11.75
TCD60B41S	TM9Y120D20MP11	24.5	CF/CM64D	1575	56.0	40.5	14.00	11.50
TCD60B41S	TMLE080C16MP11	21.0	CF/CM/CU60D	1600	55.5	41.0	13.75	11.50
TCD60B41S	TMLE080C16MP11	21.0	CF/CM64D	1575	56.5	41.0	14.00	11.75
TCD60B41S	TMLE080C20MP11	21.0	CF/CM/CU60C	1550	55.0	39.5	13.75	11.50
TCD60B41S	TMLE080C20MP11	21.0	CF/CM/CU60D	1575	55.5	40.5	14.25	11.75
TCD60B41S	TMLE080C20MP11	21.0	CF/CM64D	1575	56.5	41.0	14.25	12.00
TCD60B41S	TMLE100C16MP11	21.0	CF/CM/CU60D	1600	55.5	41.0	13.75	11.50
TCD60B41S	TMLE100C16MP11	21.0	CF/CM64D	1575	56.5	41.0	14.00	11.75
TCD60B41S	TMLE100C20MP11	21.0	CF/CM/CU60D	1550	55.5	40.0	14.25	11.75
TCD60B41S	TMLE100C20MP11	21.0	CF/CM64D	1525	56.5	40.5	14.25	12.00
TCD60B41S	TMLE120C16MP11	21.0	CF/CM/CU60D	1600	55.5	41.0	14.00	11.50
TCD60B41S	TMLE120C16MP11	21.0	CF/CM64D	1575	56.5	41.0	14.00	11.75
TCD60B41S	TMLE120C20MP11	21.0	CF/CM/CU60D	1525	55.5	40.0	14.25	11.75
TCD60B41S	TMLE120C20MP11	21.0	CF/CM64D	1525	56.5	40.5	14.25	12.00
TCD60B41S	TMLE130D20MP11	24.5	CF/CM/CU60D	1650	56.0	41.5	14.00	11.75
TCD60B41S	TMLE130D20MP11	24.5	CF/CM64D	1625	57.0	42.0	14.25	12.00
TCD60B41S	TMLV080C16MP11C	21.0	CF/CM64D	1650	56.5	40.0	13.75	11.50
TCD60B41S	TMLV080C16MP12C	21.0	CF/CM/CU60D	1700	55.5	41.5	14.00	11.70
TCD60B41S	TMLV100C16MP11C	21.0	CF/CM64D	1650	56.5	40.0	13.75	11.50
TCD60B41S	TMLV100C16MP12C	21.0	CF/CM/CU60D	1700	55.5	41.5	14.00	11.70
TCD60B41S	TMLV100C20MP11C	21.0	CF/CM/CU60D	1700	55.5	40.0	13.75	11.50
TCD60B41S	TMLV100C20MP12C	21.0	CF/CM/CU60C	1625	55.0	41.0	14.00	11.75
TCD60B41S	TMLV100C20MP12C	21.0	CF/CM/CU60D	1625	55.5	41.0	14.50	12.00
TCD60B41S	TMLV100C20MP12C	21.0	CF/CM64D	1550	55.5	40.0	14.00	12.00
TCD60B41S	TMLV120C20MP11C	21.0	CF/CM/CU60D	1700	55.5	40.0	13.75	11.50
TCD60B41S	TMLV120C20MP12C	21.0	CF/CM/CU60C	1625	55.0	41.0	14.00	11.75
TCD60B41S	TMLV120C20MP12C	21.0	CF/CM/CU60D	1625	55.5	41.0	14.50	12.00
TCD60B41S	TMLV120C20MP12C	21.0	CF/CM64D	1550	55.5	40.0	14.00	12.00
TCD60B41S	TMLX080C16MP11	21.0	CF/CM/CU60D	1550	54.0	39.0	14.00	11.70
TCD60B41S	TMLX080C16MP11	21.0	CF/CM64D	1525	55.0	39.0	13.75	11.50

COOLING CAPACITY - With High Efficiency Motor Furnaces¹ (Continued)

UNIT MODEL	FURNACE		COIL MODEL ²	COOLING				
	MODEL	WIDTH		RATED CFM	NET MBH		SEER	EER
					TOTAL	SENS.		
TCD60B41S	TMLX100C16MP11	21.0	CF/CM/CU60D	1550	54.0	39.0	14.00	11.70
TCD60B41S	TMLX100C16MP11	21.0	CF/CM64D	1525	55.0	39.0	13.75	11.50
TCD60B41S	TMLX100C20MP11	21.0	CF/CM/CU60C	1625	56.0	40.0	14.00	11.75
TCD60B41S	TMLX100C20MP11	21.0	CF/CM/CU60D	1650	56.0	40.5	14.00	11.75
TCD60B41S	TMLX100C20MP11	21.0	CF/CM64D	1550	55.5	40.0	14.25	12.00
TCD60B41S	TMLX120C20MP11	21.0	CF/CM/CU60C	1625	56.0	40.0	14.00	11.75
TCD60B41S	TMLX120C20MP11	21.0	CF/CM/CU60D	1650	56.0	40.5	14.00	11.75
TCD60B41S	TMLX120C20MP11	21.0	CF/CM64D	1550	55.5	40.0	14.25	12.00
TCD60B41S	TP9C080C16MP12C	21.0	CF/CM/CU60C	1650	55.5	40.0	14.00	11.75
TCD60B41S	TP9C080C16MP12C	21.0	CF/CM64D	1650	56.5	40.0	14.00	11.75
TCD60B41S	TP9C100C16MP12C	21.0	CF/CM/CU60C	1600	54.5	40.0	13.75	11.50
TCD60B41S	TP9C100C16MP12C	21.0	CF/CM64D	1650	56.5	40.0	14.00	11.75
TCD60B41S	TP9C100C16MP13C	21.0	CF/CM/CU60C	1600	54.5	40.0	13.75	11.50
TCD60B41S	TP9C100C16MP13C	21.0	CF/CM/CU60D	1600	55.0	40.5	14.00	11.75
TCD60B41S	TP9C100C16MP13C	21.0	CF/CM64D	1600	56.0	41.0	13.75	11.75
TCD60B41S	TP9C100C20MP12C	21.0	CF/CM64D	1675	56.5	40.0	13.75	11.50
TCD60B41S	TP9C100C20MP13C	21.0	CF/CM/CU60C	1600	55.0	40.5	13.75	11.50
TCD60B41S	TP9C100C20MP13C	21.0	CF/CM64D	1600	56.0	41.0	13.75	11.50
TCD60B41S	TP9C120D20MP12C	24.5	CF/CM/CU60D	1775	56.5	42.0	13.75	11.50
TCD60B41S	TP9C120D20MP12C	24.5	CF/CM64D	1750	57.0	41.5	13.75	11.50
TCD60B41S	TP9C120D20MP13C	24.5	CF/CM/CU60D	1575	55.0	40.5	14.25	11.75
TCD60B41S	TP9C120D20MP13C	24.5	CF/CM64D	1575	56.0	40.5	14.00	11.50
TCD60B41S	TPLC080C16MP12C	21.0	CF/CM64D	1650	56.5	40.0	13.75	11.50
TCD60B41S	TPLC080C16MP13C	21.0	CF/CM/CU60D	1700	55.5	41.5	14.00	11.70
TCD60B41S	TPLC100C16MP12C	21.0	CF/CM64D	1650	56.5	40.0	13.75	11.50
TCD60B41S	TPLC100C16MP13C	21.0	CF/CM/CU60D	1700	55.5	41.5	14.00	11.70
TCD60B41S	TPLC100C20MP12C	21.0	CF/CM/CU60D	1700	55.5	40.0	13.75	11.50
TCD60B41S	TPLC100C20MP13C	21.0	CF/CM/CU60C	1625	55.0	41.0	14.00	11.75
TCD60B41S	TPLC100C20MP13C	21.0	CF/CM/CU60D	1625	55.5	41.0	14.50	12.00
TCD60B41S	TPLC100C20MP13C	21.0	CF/CM64D	1550	55.5	40.0	14.00	12.00
TCD60B41S	TPLC120C20MP12C	21.0	CF/CM/CU60D	1700	55.5	40.0	13.75	11.50
TCD60B41S	TPLC120C20MP13C	21.0	CF/CM/CU60C	1625	55.0	41.0	14.00	11.75
TCD60B41S	TPLC120C20MP13C	21.0	CF/CM/CU60D	1625	55.5	41.0	14.50	12.00
TCD60B41S	TPLC120C20MP13C	21.0	CF/CM64D	1550	55.5	40.0	14.00	12.00
TCD60B41S	YP9C080C16MP12C	21.0	CF/CM/CU60C	1650	55.5	40.0	14.00	11.75
TCD60B41S	YP9C080C16MP12C	21.0	CF/CM64D	1650	56.5	40.0	14.00	11.75
TCD60B41S	YP9C100C16MP12C	21.0	CF/CM/CU60C	1600	54.5	40.0	13.75	11.50
TCD60B41S	YP9C100C16MP12C	21.0	CF/CM64D	1650	56.5	40.0	14.00	11.75
TCD60B41S	YP9C100C16MP13C	21.0	CF/CM/CU60C	1600	54.5	40.0	13.75	11.50
TCD60B41S	YP9C100C16MP13C	21.0	CF/CM/CU60D	1600	55.0	40.5	14.00	11.75
TCD60B41S	YP9C100C16MP13C	21.0	CF/CM64D	1600	56.0	41.0	13.75	11.75
TCD60B41S	YP9C100C20MP12C	21.0	CF/CM64D	1675	56.5	40.0	13.75	11.50
TCD60B41S	YP9C100C20MP13C	21.0	CF/CM/CU60C	1600	55.0	40.5	13.75	11.50
TCD60B41S	YP9C100C20MP13C	21.0	CF/CM64D	1600	56.0	41.0	13.75	11.50
TCD60B41S	YP9C120D20MP12C	24.5	CF/CM/CU60D	1775	56.5	42.0	13.75	11.50
TCD60B41S	YP9C120D20MP12C	24.5	CF/CM64D	1750	57.0	41.5	13.75	11.50
TCD60B41S	YP9C120D20MP13C	24.5	CF/CM/CU60D	1575	55.0	40.5	14.25	11.75
TCD60B41S	YP9C120D20MP13C	24.5	CF/CM64D	1575	56.0	40.5	14.00	11.50
TCD60B41S	YPLC080C16MP12C	21.0	CF/CM64D	1650	56.5	40.0	13.75	11.50
TCD60B41S	YPLC080C16MP13C	21.0	CF/CM/CU60D	1700	55.5	41.5	14.00	11.70
TCD60B41S	YPLC100C16MP12C	21.0	CF/CM64D	1650	56.5	40.0	13.75	11.50
TCD60B41S	YPLC100C16MP13C	21.0	CF/CM/CU60D	1700	55.5	41.5	14.00	11.70
TCD60B41S	YPLC100C20MP12C	21.0	CF/CM/CU60D	1700	55.5	40.0	13.75	11.50

COOLING CAPACITY - With High Efficiency Motor Furnaces¹ (Continued)

UNIT MODEL	FURNACE		COIL MODEL ²	COOLING				
	MODEL	WIDTH		RATED CFM	NET MBH		SEER	EER
					TOTAL	SENS.		
TCD60B41S	YPLC100C20MP13C	21.0	CF/CM/CU60C	1625	55.0	41.0	14.00	11.75
TCD60B41S	YPLC100C20MP13C	21.0	CF/CM/CU60D	1625	55.5	41.0	14.50	12.00
TCD60B41S	YPLC100C20MP13C	21.0	CF/CM64D	1550	55.5	40.0	14.00	12.00
TCD60B41S	YPLC120C20MP12C	21.0	CF/CM/CU60D	1700	55.5	40.0	13.75	11.50
TCD60B41S	YPLC120C20MP13C	21.0	CF/CM/CU60C	1625	55.0	41.0	14.00	11.75
TCD60B41S	YPLC120C20MP13C	21.0	CF/CM/CU60D	1625	55.5	41.0	14.50	12.00
TCD60B41S	YPLC120C20MP13C	21.0	CF/CM64D	1550	55.5	40.0	14.00	12.00
TCD60B51S	TL8E080C16UH11	21.0	CF/CM/CU60D	1575	55.5	40.5	13.75	11.50
TCD60B51S	TL8E080C16UH11	21.0	CF/CM64D	1550	56.0	40.5	14.00	11.75
TCD60B51S	TL8E100C20UH11	21.0	CF/CM/CU60C	1600	55.0	40.0	13.75	11.50
TCD60B51S	TL8E100C20UH11	21.0	CF/CM/CU60D	1625	56.0	41.5	14.00	11.75
TCD60B51S	TL8E100C20UH11	21.0	CF/CM64D	1600	57.0	41.5	14.25	12.00
TCD60B51S	TL9E100C20UH11	21.0	CF/CM/CU60C	1600	54.5	39.5	13.75	11.50
TCD60B51S	TL9E100C20UH11	21.0	CF/CM/CU60D	1625	56.0	41.5	14.00	11.75
TCD60B51S	TL9E100C20UH11	21.0	CF/CM64D	1600	57.0	41.5	14.00	11.75
TCD60B51S	TM8E080C16MP11	21.0	CF/CM/CU60D	1600	55.5	41.0	13.75	11.50
TCD60B51S	TM8E080C16MP11	21.0	CF/CM64D	1575	56.5	41.0	14.00	11.75
TCD60B51S	TM8E080C20MP11	21.0	CF/CM/CU60C	1550	55.0	39.5	13.75	11.50
TCD60B51S	TM8E080C20MP11	21.0	CF/CM/CU60D	1575	55.5	40.5	14.25	11.75
TCD60B51S	TM8E080C20MP11	21.0	CF/CM64D	1575	56.5	41.0	14.25	12.00
TCD60B51S	TM8E100C16MP11	21.0	CF/CM/CU60D	1600	55.5	41.0	13.75	11.50
TCD60B51S	TM8E100C16MP11	21.0	CF/CM64D	1575	56.5	41.0	14.00	11.75
TCD60B51S	TM8E100C20MP11	21.0	CF/CM/CU60D	1550	55.5	40.0	14.25	11.75
TCD60B51S	TM8E100C20MP11	21.0	CF/CM64D	1525	56.5	40.5	14.25	12.00
TCD60B51S	TM8E120C16MP11	21.0	CF/CM/CU60D	1600	55.5	41.0	14.00	11.50
TCD60B51S	TM8E120C16MP11	21.0	CF/CM64D	1575	56.5	41.0	14.00	11.75
TCD60B51S	TM8E120C20MP11	21.0	CF/CM/CU60D	1525	55.5	40.0	14.25	11.75
TCD60B51S	TM8E120C20MP11	21.0	CF/CM64D	1525	56.5	40.5	14.25	12.00
TCD60B51S	TM8E130D20MP11	24.5	CF/CM/CU60D	1650	56.0	41.5	14.00	11.75
TCD60B51S	TM8E130D20MP11	24.5	CF/CM64D	1625	57.0	42.0	14.25	12.00
TCD60B51S	TM8V080C16MP11C	21.0	CF/CM64D	1650	56.5	40.0	14.00	11.75
TCD60B51S	TM8V080C16MP12C	21.0	CF/CM/CU60D	1700	55.5	41.5	14.00	11.70
TCD60B51S	TM8V100C16MP11C	21.0	CF/CM64D	1650	56.5	40.0	14.00	11.75
TCD60B51S	TM8V100C16MP12C	21.0	CF/CM/CU60D	1700	55.5	41.5	14.00	11.70
TCD60B51S	TM8V100C20MP11C	21.0	CF/CM/CU60D	1700	55.5	40.0	13.75	11.50
TCD60B51S	TM8V100C20MP12C	21.0	CF/CM/CU60C	1625	55.0	41.0	14.00	11.75
TCD60B51S	TM8V100C20MP12C	21.0	CF/CM/CU60D	1625	55.5	41.0	14.50	12.00
TCD60B51S	TM8V100C20MP12C	21.0	CF/CM64D	1550	55.5	40.0	14.00	12.00
TCD60B51S	TM8V120C20MP11C	21.0	CF/CM/CU60D	1700	55.5	40.0	13.75	11.50
TCD60B51S	TM8V120C20MP12C	21.0	CF/CM/CU60C	1625	55.0	41.0	14.00	11.75
TCD60B51S	TM8V120C20MP12C	21.0	CF/CM/CU60D	1625	55.5	41.0	14.50	12.00
TCD60B51S	TM8V120C20MP12C	21.0	CF/CM64D	1550	55.5	40.0	14.00	12.00
TCD60B51S	TM8X080C16MP11	21.0	CF/CM/CU60D	1550	54.0	39.0	14.00	11.70
TCD60B51S	TM8X080C16MP11	21.0	CF/CM64D	1525	55.0	39.0	13.75	11.50
TCD60B51S	TM8X100C16MP11	21.0	CF/CM/CU60D	1550	54.0	39.0	14.00	11.70
TCD60B51S	TM8X100C16MP11	21.0	CF/CM64D	1525	55.0	39.0	13.75	11.50
TCD60B51S	TM8X100C20MP11	21.0	CF/CM/CU60C	1550	54.5	39.0	14.25	12.00
TCD60B51S	TM8X100C20MP11	21.0	CF/CM/CU60D	1650	56.0	40.0	14.00	11.75
TCD60B51S	TM8X100C20MP11	21.0	CF/CM64D	1550	55.5	40.0	14.25	12.00
TCD60B51S	TM8X120C20MP11	21.0	CF/CM/CU60C	1550	54.5	39.0	14.25	12.00
TCD60B51S	TM8X120C20MP11	21.0	CF/CM/CU60D	1650	56.0	40.0	14.00	11.75
TCD60B51S	TM8X120C20MP11	21.0	CF/CM64D	1550	55.5	40.0	14.25	12.00
TCD60B51S	TM8Y080C16MP11	21.0	CF/CM/CU60D	1550	54.0	39.0	14.00	11.70

COOLING CAPACITY - With High Efficiency Motor Furnaces¹ (Continued)

UNIT MODEL	FURNACE		COIL MODEL ²	COOLING				
	MODEL	WIDTH		RATED CFM	NET MBH		SEER	EER
					TOTAL	SENS.		
TCD60B51S	TM8Y080C16MP11	21.0	CF/CM64D	1525	55.0	39.0	13.75	11.50
TCD60B51S	TM8Y100C16MP11	21.0	CF/CM/CU60D	1550	54.0	39.0	14.00	11.70
TCD60B51S	TM8Y100C16MP11	21.0	CF/CM64D	1525	55.0	39.0	13.75	11.50
TCD60B51S	TM8Y100C20MP11	21.0	CF/CM/CU60C	1550	54.5	39.0	14.25	12.00
TCD60B51S	TM8Y100C20MP11	21.0	CF/CM/CU60D	1650	56.0	40.0	14.00	11.75
TCD60B51S	TM8Y100C20MP11	21.0	CF/CM64D	1550	55.5	40.0	14.25	12.00
TCD60B51S	TM8Y120C20MP11	21.0	CF/CM/CU60C	1550	54.5	39.0	14.25	12.00
TCD60B51S	TM8Y120C20MP11	21.0	CF/CM/CU60D	1650	56.0	40.0	14.00	11.75
TCD60B51S	TM8Y120C20MP11	21.0	CF/CM64D	1550	55.5	40.0	14.25	12.00
TCD60B51S	TM9E080C20MP12	21.0	CF/CM/CU60D	1525	55.5	40.0	14.25	11.75
TCD60B51S	TM9E080C20MP12	21.0	CF/CM64D	1750	57.5	43.5	14.00	11.75
TCD60B51S	TM9E100C20MP11	21.0	CF/CM/CU60C	1525	54.0	39.0	14.00	11.70
TCD60B51S	TM9E100C20MP11	21.0	CF/CM/CU60D	1625	56.0	40.0	13.75	11.75
TCD60B51S	TM9E100C20MP11	21.0	CF/CM64D	1550	55.5	40.0	13.75	11.50
TCD60B51S	TM9E100C20MP12	21.0	CF/CM/CU60D	1550	55.5	40.0	14.25	11.75
TCD60B51S	TM9E100C20MP12	21.0	CF/CM64D	1525	56.5	40.5	14.25	12.00
TCD60B51S	TM9E120D20MP11	24.5	CF/CM/CU60D	1600	55.0	39.5	14.25	12.00
TCD60B51S	TM9E120D20MP11	24.5	CF/CM64D	1575	56.0	40.5	14.00	11.50
TCD60B51S	TM9E120D20MP12	24.5	CF/CM/CU60D	1625	56.0	41.5	14.00	11.75
TCD60B51S	TM9E120D20MP12	24.5	CF/CM64D	1600	57.0	41.5	14.00	11.75
TCD60B51S	TM9V080C16MP11C	21.0	CF/CM/CU60C	1650	55.5	40.0	13.75	11.50
TCD60B51S	TM9V080C16MP11C	21.0	CF/CM64D	1650	57.0	40.5	14.25	12.00
TCD60B51S	TM9V100C16MP11C	21.0	CF/CM/CU60C	1650	55.5	40.0	13.75	11.50
TCD60B51S	TM9V100C16MP11C	21.0	CF/CM64D	1650	57.0	40.5	14.25	12.00
TCD60B51S	TM9V100C16MP12C	21.0	CF/CM/CU60C	1600	54.5	40.0	14.00	11.75
TCD60B51S	TM9V100C16MP12C	21.0	CF/CM/CU60D	1600	55.0	40.5	14.00	11.75
TCD60B51S	TM9V100C16MP12C	21.0	CF/CM64D	1600	56.0	41.0	13.75	11.75
TCD60B51S	TM9V100C20MP11C	21.0	CF/CM64D	1675	56.5	40.0	13.75	11.50
TCD60B51S	TM9V100C20MP12C	21.0	CF/CM/CU60C	1600	55.0	40.5	13.75	11.50
TCD60B51S	TM9V100C20MP12C	21.0	CF/CM64D	1600	56.0	41.0	13.75	11.50
TCD60B51S	TM9V120D20MP11C	24.5	CF/CM/CU60D	1775	56.5	42.0	13.75	11.50
TCD60B51S	TM9V120D20MP11C	24.5	CF/CM64D	1575	56.0	40.5	14.00	11.50
TCD60B51S	TM9V120D20MP12C	24.5	CF/CM/CU60D	1575	55.0	40.5	14.25	11.75
TCD60B51S	TM9V120D20MP12C	24.5	CF/CM64D	1575	56.0	40.5	14.00	11.50
TCD60B51S	TM9Y100C20MP11	21.0	CF/CM/CU60C	1525	54.0	39.0	14.00	11.70
TCD60B51S	TM9Y100C20MP11	21.0	CF/CM/CU60D	1625	56.0	40.0	13.75	11.75
TCD60B51S	TM9Y100C20MP11	21.0	CF/CM64D	1550	55.5	40.0	13.75	11.50
TCD60B51S	TM9Y120D20MP11	24.5	CF/CM/CU60D	1600	55.0	39.5	14.25	12.00
TCD60B51S	TM9Y120D20MP11	24.5	CF/CM64D	1575	56.0	40.5	14.00	11.50
TCD60B51S	TMLE080C16MP11	21.0	CF/CM/CU60D	1600	55.5	41.0	13.75	11.50
TCD60B51S	TMLE080C16MP11	21.0	CF/CM64D	1575	56.5	41.0	14.00	11.75
TCD60B51S	TMLE080C20MP11	21.0	CF/CM/CU60C	1550	55.0	39.5	13.75	11.50
TCD60B51S	TMLE080C20MP11	21.0	CF/CM/CU60D	1575	55.5	40.5	14.25	11.75
TCD60B51S	TMLE080C20MP11	21.0	CF/CM64D	1575	56.5	41.0	14.25	12.00
TCD60B51S	TMLE100C16MP11	21.0	CF/CM/CU60D	1600	55.5	41.0	13.75	11.50
TCD60B51S	TMLE100C16MP11	21.0	CF/CM64D	1575	56.5	41.0	14.00	11.75
TCD60B51S	TMLE100C20MP11	21.0	CF/CM/CU60D	1550	55.5	40.0	14.25	11.75
TCD60B51S	TMLE100C20MP11	21.0	CF/CM64D	1525	56.5	40.5	14.25	12.00
TCD60B51S	TMLE120C16MP11	21.0	CF/CM/CU60D	1600	55.5	41.0	14.00	11.50
TCD60B51S	TMLE120C16MP11	21.0	CF/CM64D	1575	56.5	41.0	14.00	11.75
TCD60B51S	TMLE120C20MP11	21.0	CF/CM/CU60D	1525	55.5	40.0	14.25	11.75
TCD60B51S	TMLE120C20MP11	21.0	CF/CM64D	1525	56.5	40.5	14.25	12.00
TCD60B51S	TMLE130D20MP11	24.5	CF/CM/CU60D	1650	56.0	41.5	14.00	11.75

COOLING CAPACITY - With High Efficiency Motor Furnaces¹ (Continued)

UNIT MODEL	FURNACE		COIL MODEL ²	COOLING				
	MODEL	WIDTH		RATED CFM	NET MBH		SEER	EER
					TOTAL	SENS.		
TCD60B51S	TMLE130D20MP11	24.5	CF/CM64D	1625	57.0	42.0	14.25	12.00
TCD60B51S	TMLV080C16MP11C	21.0	CF/CM64D	1650	56.5	40.0	14.00	11.75
TCD60B51S	TMLV080C16MP12C	21.0	CF/CM/CU60D	1700	55.5	41.5	14.00	11.70
TCD60B51S	TMLV100C16MP11C	21.0	CF/CM64D	1650	56.5	40.0	14.00	11.75
TCD60B51S	TMLV100C16MP12C	21.0	CF/CM/CU60D	1700	55.5	41.5	14.00	11.70
TCD60B51S	TMLV100C20MP11C	21.0	CF/CM/CU60D	1700	55.5	40.0	13.75	11.50
TCD60B51S	TMLV100C20MP12C	21.0	CF/CM/CU60C	1625	55.0	41.0	14.00	11.75
TCD60B51S	TMLV100C20MP12C	21.0	CF/CM/CU60D	1625	55.5	41.0	14.50	12.00
TCD60B51S	TMLV100C20MP12C	21.0	CF/CM64D	1550	55.5	40.0	14.00	12.00
TCD60B51S	TMLV120C20MP11C	21.0	CF/CM/CU60D	1700	55.5	40.0	13.75	11.50
TCD60B51S	TMLV120C20MP12C	21.0	CF/CM/CU60C	1625	55.0	41.0	14.00	11.75
TCD60B51S	TMLV120C20MP12C	21.0	CF/CM/CU60D	1625	55.5	41.0	14.50	12.00
TCD60B51S	TMLV120C20MP12C	21.0	CF/CM64D	1550	55.5	40.0	14.00	12.00
TCD60B51S	TMLX080C16MP11	21.0	CF/CM/CU60D	1550	54.0	39.0	14.00	11.70
TCD60B51S	TMLX080C16MP11	21.0	CF/CM64D	1525	55.0	39.0	13.75	11.50
TCD60B51S	TMLX100C16MP11	21.0	CF/CM/CU60D	1550	54.0	39.0	14.00	11.70
TCD60B51S	TMLX100C16MP11	21.0	CF/CM64D	1525	55.0	39.0	13.75	11.50
TCD60B51S	TMLX100C20MP11	21.0	CF/CM/CU60C	1550	54.5	39.0	14.25	12.00
TCD60B51S	TMLX100C20MP11	21.0	CF/CM/CU60D	1650	56.0	40.0	14.00	11.75
TCD60B51S	TMLX100C20MP11	21.0	CF/CM64D	1550	55.5	40.0	14.25	12.00
TCD60B51S	TMLX120C20MP11	21.0	CF/CM/CU60C	1550	54.5	39.0	14.25	12.00
TCD60B51S	TMLX120C20MP11	21.0	CF/CM/CU60D	1650	56.0	40.0	14.00	11.75
TCD60B51S	TMLX120C20MP11	21.0	CF/CM64D	1550	55.5	40.0	14.25	12.00
TCD60B51S	TP9C080C16MP12C	21.0	CF/CM/CU60C	1650	55.5	40.0	13.75	11.50
TCD60B51S	TP9C080C16MP12C	21.0	CF/CM64D	1650	57.0	40.5	14.25	12.00
TCD60B51S	TP9C100C16MP12C	21.0	CF/CM/CU60C	1650	55.5	40.0	13.75	11.50
TCD60B51S	TP9C100C16MP12C	21.0	CF/CM64D	1650	57.0	40.5	14.25	12.00
TCD60B51S	TP9C100C16MP13C	21.0	CF/CM/CU60C	1600	54.5	40.0	14.00	11.75
TCD60B51S	TP9C100C16MP13C	21.0	CF/CM/CU60D	1600	55.0	40.5	14.00	11.75
TCD60B51S	TP9C100C16MP13C	21.0	CF/CM64D	1600	56.0	41.0	13.75	11.75
TCD60B51S	TP9C100C20MP12C	21.0	CF/CM64D	1675	56.5	40.0	13.75	11.50
TCD60B51S	TP9C100C20MP13C	21.0	CF/CM/CU60C	1600	55.0	40.5	13.75	11.50
TCD60B51S	TP9C100C20MP13C	21.0	CF/CM64D	1600	56.0	41.0	13.75	11.50
TCD60B51S	TP9C120D20MP12C	24.5	CF/CM/CU60D	1775	56.5	42.0	13.75	11.50
TCD60B51S	TP9C120D20MP12C	24.5	CF/CM64D	1575	56.0	40.5	14.00	11.50
TCD60B51S	TP9C120D20MP13C	24.5	CF/CM/CU60D	1575	55.0	40.5	14.25	11.75
TCD60B51S	TP9C120D20MP13C	24.5	CF/CM64D	1575	56.0	40.5	14.00	11.50
TCD60B51S	TPLC080C16MP12C	21.0	CF/CM64D	1650	56.5	40.0	14.00	11.75
TCD60B51S	TPLC080C16MP13C	21.0	CF/CM/CU60D	1700	55.5	41.5	14.00	11.70
TCD60B51S	TPLC100C16MP12C	21.0	CF/CM64D	1650	56.5	40.0	14.00	11.75
TCD60B51S	TPLC100C16MP13C	21.0	CF/CM/CU60D	1700	55.5	41.5	14.00	11.70
TCD60B51S	TPLC100C20MP12C	21.0	CF/CM/CU60D	1700	55.5	40.0	13.75	11.50
TCD60B51S	TPLC100C20MP13C	21.0	CF/CM/CU60C	1625	55.0	41.0	14.00	11.75
TCD60B51S	TPLC100C20MP13C	21.0	CF/CM/CU60D	1625	55.5	41.0	14.50	12.00
TCD60B51S	TPLC100C20MP13C	21.0	CF/CM64D	1550	55.5	40.0	14.00	12.00
TCD60B51S	TPLC120C20MP12C	21.0	CF/CM/CU60D	1700	55.5	40.0	13.75	11.50
TCD60B51S	TPLC120C20MP13C	21.0	CF/CM/CU60C	1625	55.0	41.0	14.00	11.75
TCD60B51S	TPLC120C20MP13C	21.0	CF/CM/CU60D	1625	55.5	41.0	14.50	12.00
TCD60B51S	TPLC120C20MP13C	21.0	CF/CM64D	1550	55.5	40.0	14.00	12.00
TCD60B51S	YP9C080C16MP12C	21.0	CF/CM/CU60C	1650	55.5	40.0	13.75	11.50
TCD60B51S	YP9C080C16MP12C	21.0	CF/CM64D	1650	57.0	40.5	14.25	12.00
TCD60B51S	YP9C100C16MP12C	21.0	CF/CM/CU60C	1650	55.5	40.0	13.75	11.50
TCD60B51S	YP9C100C16MP12C	21.0	CF/CM64D	1650	57.0	40.5	14.25	12.00

COOLING CAPACITY - With High Efficiency Motor Furnaces¹ (Continued)

UNIT MODEL	FURNACE		COIL MODEL ²	COOLING				
	MODEL	WIDTH		RATED CFM	NET MBH		SEER	EER
					TOTAL	SENS.		
TCD60B51S	YP9C100C16MP13C	21.0	CF/CM/CU60C	1600	54.5	40.0	14.00	11.75
TCD60B51S	YP9C100C16MP13C	21.0	CF/CM/CU60D	1600	55.0	40.5	14.00	11.75
TCD60B51S	YP9C100C16MP13C	21.0	CF/CM64D	1600	56.0	41.0	13.75	11.75
TCD60B51S	YP9C100C20MP12C	21.0	CF/CM64D	1675	56.5	40.0	13.75	11.50
TCD60B51S	YP9C100C20MP13C	21.0	CF/CM/CU60C	1600	55.0	40.5	13.75	11.50
TCD60B51S	YP9C100C20MP13C	21.0	CF/CM64D	1600	56.0	41.0	13.75	11.50
TCD60B51S	YP9C120D20MP12C	24.5	CF/CM/CU60D	1775	56.5	42.0	13.75	11.50
TCD60B51S	YP9C120D20MP12C	24.5	CF/CM64D	1575	56.0	40.5	14.00	11.50
TCD60B51S	YP9C120D20MP13C	24.5	CF/CM/CU60D	1575	55.0	40.5	14.25	11.75
TCD60B51S	YP9C120D20MP13C	24.5	CF/CM64D	1575	56.0	40.5	14.00	11.50
TCD60B51S	YPLC080C16MP12C	21.0	CF/CM64D	1650	56.5	40.0	14.00	11.75
TCD60B51S	YPLC080C16MP13C	21.0	CF/CM/CU60D	1700	55.5	41.5	14.00	11.70
TCD60B51S	YPLC100C16MP12C	21.0	CF/CM64D	1650	56.5	40.0	14.00	11.75
TCD60B51S	YPLC100C16MP13C	21.0	CF/CM/CU60D	1700	55.5	41.5	14.00	11.70
TCD60B51S	YPLC100C20MP12C	21.0	CF/CM/CU60D	1700	55.5	40.0	13.75	11.50
TCD60B51S	YPLC100C20MP13C	21.0	CF/CM/CU60C	1625	55.0	41.0	14.00	11.75
TCD60B51S	YPLC100C20MP13C	21.0	CF/CM/CU60D	1625	55.5	41.0	14.50	12.00
TCD60B51S	YPLC100C20MP13C	21.0	CF/CM64D	1550	55.5	40.0	14.00	12.00
TCD60B51S	YPLC120C20MP12C	21.0	CF/CM/CU60D	1700	55.5	40.0	13.75	11.50
TCD60B51S	YPLC120C20MP13C	21.0	CF/CM/CU60C	1625	55.0	41.0	14.00	11.75
TCD60B51S	YPLC120C20MP13C	21.0	CF/CM/CU60D	1625	55.5	41.0	14.50	12.00
TCD60B51S	YPLC120C20MP13C	21.0	CF/CM64D	1550	55.5	40.0	14.00	12.00

For rated condition information, see the footnotes below the System Capacity - Single Piece and Modular Air Handlers table.

1. High Efficiency Motor Furnaces have B.O.D (Blower Off Delay) standard.
2. CM coils available with a factory installed horizontal drain pan. See price pages for specific model number. PSC furnaces, such as the TG8S, TGLS, and TG9S, use Coil Only Ratings.

APPLICATIONS AND ACCESSORIES

Refer to Price Manual for specific model numbers.

Standard Application Limits*		
Maximum Lineset Equivalent Length	80 Ft	
Outdoor Ambient Temperature Limits		
Cooling Operation	Maximum DB	125°F
	Minimum DB	55°F

* For Low Ambient and/or Long Lineset Applications, please see the accessories listed below.

Non-Standard Lineset Applications - For installations with reduced diameter or long linesets, refer to the current version of the Piping Application Guide P/N 247077, available in the Application Bulletins section on www.simplygettingthejobdone.com.

OD Unit Anti Short Cycle Kit (10 Pack) S1-2TD08700124BK: A time delay that prevents rapid compressor restarting as a result of power interruption, limit switch operation, or thermostat resetting. Not required for HP models, or for AC models with factory electronic controls.

Standard Low Ambient Control Kit S1-2LA06700424: Allows the use of air conditioning at low outdoor ambient temperatures down to +20°F (-7°C). For use with all R-410A single stage AC & HP models.

Advanced Low Ambient Control Kit S1-2LA04701024: Contains the necessary components and controls to allow cooling operation down to -20°F (-29°C). For use with some R-410A single stage AC & HP models. This accessory can only be applied to models that contain a PSC outdoor fan motor.

Low Pressure Switch Kit S1-2PS06700524: Provides field installed low pressure (loss of charge) protection. Not required for HP models, or for AC models with factory electronic controls.

High Ambient Outdoor Fan Motor S1-FHM**HT:** Class F 70°C motor to allow cooling operation up to 160°F air entering the outdoor coil. For use with all R-410A single stage AC & HP models containing R-410A refrigerant only.

Outdoor Communicating Board Kit (S1-33102952310): Electronic control upgrade for standard AC units to provide compatibility with the Residential Touch Screen Communicating Control.

Compressor Crankcase Heater Kit (S1-025-**-***):** A wrap-around electrical resistance heater that warms the compressor sump, reducing the chance of liquid slugging on startup. Required on all long lineset and low ambient applications. See Price Pages or Source1 SmartSearch for the correct part for each application.

Support Feet S1-HPRKIT-:** Kit of 5 support feet to raise unit above snow or landscaping. Available in heights of 3", 6" or 12".

Anchor Bracket Kit S1-1HK0401: Firmly anchors unit to pad or support structure. When properly installed, approved for ground-mounted or roof-mounted applications.

Indoor TXV Kit S1-1TVM*:** Thermal expansion valves precisely meter refrigerant for optimum performance over a wide range of conditions. See System Charge Table, Price Pages, or Source1 Smart Search for TXV part number for each AC & HP model.

Wall Mount Kit (S1-ACB-):** Includes two brackets to allow outdoor unit to be securely mounted to a vertical wall. Mounting hardware is field sourced according to the specific application.

Winter Cover Kit S1-CCVRE*:** Custom fit winter cover protects AC condensing unit from debris during the off-season. Must be removed prior to unit operation. See Price Pages or Source1 SmartSearch for the correct cover for each application.

Cold Weather Charging Tent S1-CHGTENT01: Provides warm environment to accurately service AC & HP systems in ambient conditions 55°F (13°C) or colder.

Touch-up Paint S1-5130153**:** Color matched aerosol paint for touching up unit chassis and panels. See Price Pages or Source1 SmartSearch for the correct color for each application.

Compressor Sound Blanket S1-0100764*000: A field installed dense foam cover that provides 2dBA sound level reduction. See Price Pages or Source1 SmartSearch for the correct blanket for each application.

Thermostat: Compatible thermostat controls are available through accessory sourcing. For optimum performance, these outdoor units are fully compatible with our residential Hx™ Touchscreen Thermostats available through Source1. For more information, see the thermostat section of the Product Equipment Catalog.

SOUND POWER RATINGS

Cooling Model Number	Octave Band Sound Power Level (db re. 1-pW)									
	63	125	250	500	1000	2000	4000	8000	dBA	SQI
TCD30(3,4)2S	68.1	71.4	68.6	71.4	67.0	62.8	59.2	56.6	74.0	19.2
TCD36(3,4,5)2S	70.0	78.9	66.5	69.4	69.0	64.2	59.2	56.0	74.0	19.1
TCD42(3,4)2S	66.8	70.4	75.0	66.9	66.9	66.7	59.1	54.4	75.0	19.0
TCD48(3,4,5)1S	68.6	76.8	71.4	71.4	70.9	63.8	60.9	58.7	75.0	19.0
TCD60(3,4,5)1S	74.9	71.8	74.9	74.4	73.4	66.7	60.5	56.8	77.0	19.1

Rated in accordance with ARI Standard 270.

MECHANICAL SPECIFICATIONS

MANUFACTURE AND CERTIFICATIONS

- Units shall be manufactured in an ISO 9001 certified facility.
- Units shall be certified by CSA to UL 1995 / CSA 22.2 and performance certified to ANSI/AHRI Standard 210/240.
- Units shall be sound tested according to ANSI/AHRI Standard 270.
- Certified matched system ratings will be available for download from the AHRI online directory at www.ahridirectory.org
- Unit packaging shall be marked, "Assembled in the USA"

UNIT APPLICATION

- Units shall be approved for linesets up to 80 feet equivalent length without modification.
- Units shall be approved for installation within 6 inches of a flat vertical wall without modification, according to the instructions in the technical literature.
- Units shall be certified to the 5th Edition (2014) of the Florida Building Code for a combined allowable lateral and uplift wind force of 200 psf and 100 psf, respectively, for both ground-mounted and rooftop-mounted applications up to 200 feet above grade with approved mounting kit.
- Units shall be designed to 77 dBA or less to minimize sound pollution.

UNIT ACCESS

- Units shall have a removable fan guard that can be removed independently of the top for interior access through the top of the unit without damaging the coil.
- Units shall have two removable stamped steel coil guards for exterior coil access.
- Units shall have a separate compartment for electrical controls that can be accessed without disturbing the unit airflow.
- Units shall have a blockoff panel that can be removed to provide interior unit access through the side of the unit.
- Units shall have a removable blockoff panel and a swing away removable electrical panel that provides sufficient interior unit access for removing the compressor through the side of the unit.

UNIT CONSTRUCTION

- Units shall be shipped completely wired, piped and assembled. Wiring pigtailed shall be provided for field control wiring connections. Service valves shall be provided for field refrigerant line connections.

- Units shall be factory leak checked, run tested, and shipped with a holding charge of R-410A refrigerant.
- Unit cabinet components shall be G90 equivalent steel finished with powder-coat paint rated at a minimum of 500 hours under ASTM B117 testing.
- Unit base pan shall be stamped G90 equivalent steel finished with powder-coat paint rated at a minimum of 500 hours under ASTM B117 testing.
- Units shall have a single corner post opposite the electrical control box and two independent removable steel coil guard panels to optimize cabinet strength and serviceability
- Units shall have L-shaped stamped sheet metal coil guards with extruded slots for maximum panel durability and stiffness.
- Units shall have a factory installed filter-drier for faster installation and improved system reliability.
- Units shall be constructed with a high pressure switch for system protection.
- Units shall be constructed with all badging and labels applied at the factory.

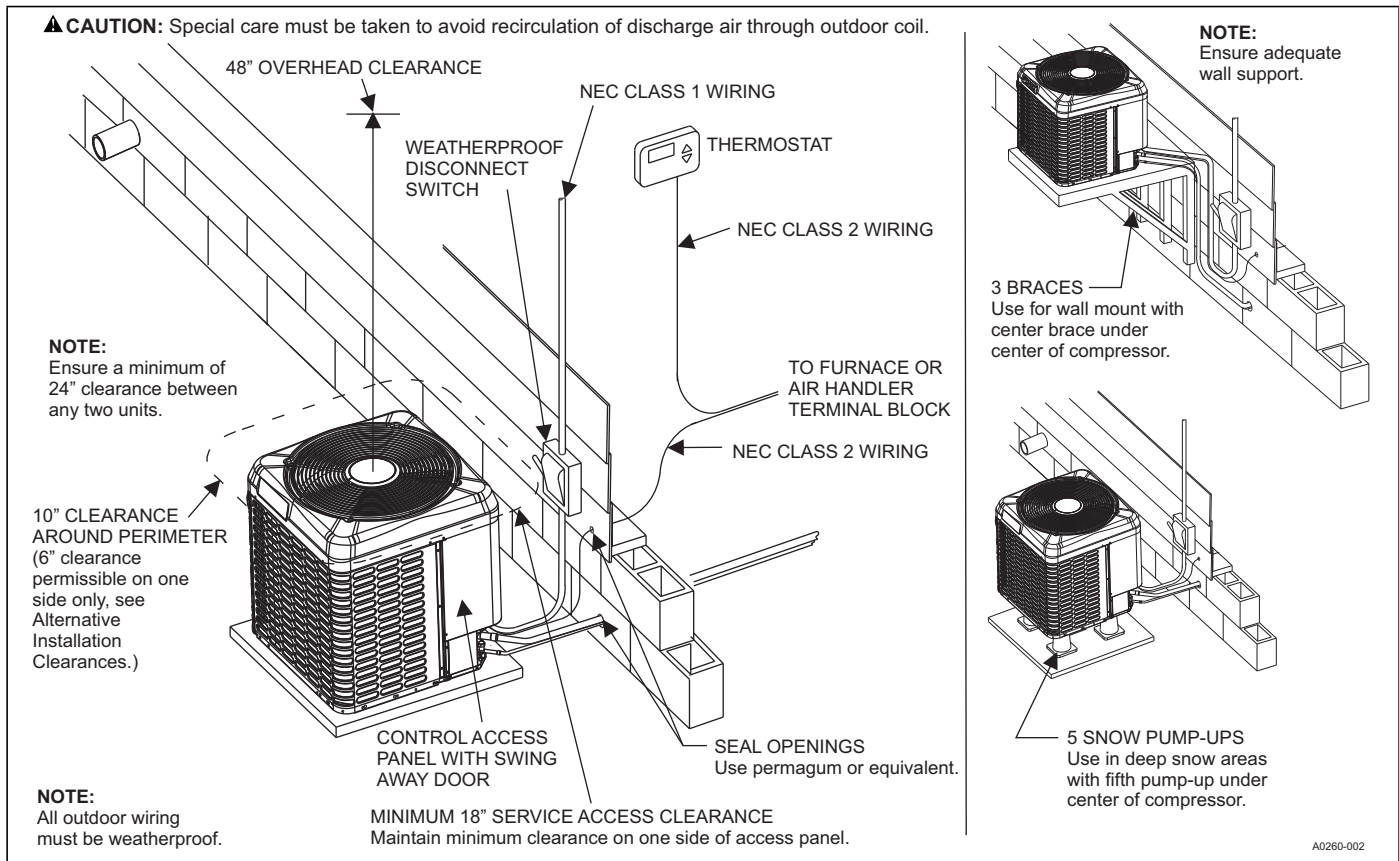
UNIT COMPONENTS

- Compressor shall be hermetic with internal electrical overload protection and internal overpressure protection.
- Compressor shall be mounted on rubber vibration isolators that do not require the removal of transportation clips or brackets.
- Units shall be constructed with internally sprung reciprocating compressors for low vibration. (Applies to select models).
- Outdoor fan shall be direct drive with vertical air discharge for low sound levels.
- Outdoor fan motor shall be totally enclosed with permanently lubricated ball bearings motors approved for vertical shaft applications.
- Outdoor coil shall be air cooled and constructed of zinc-coated aluminum microchannel construction for small size and low weight.

UNIT WARRANTIES

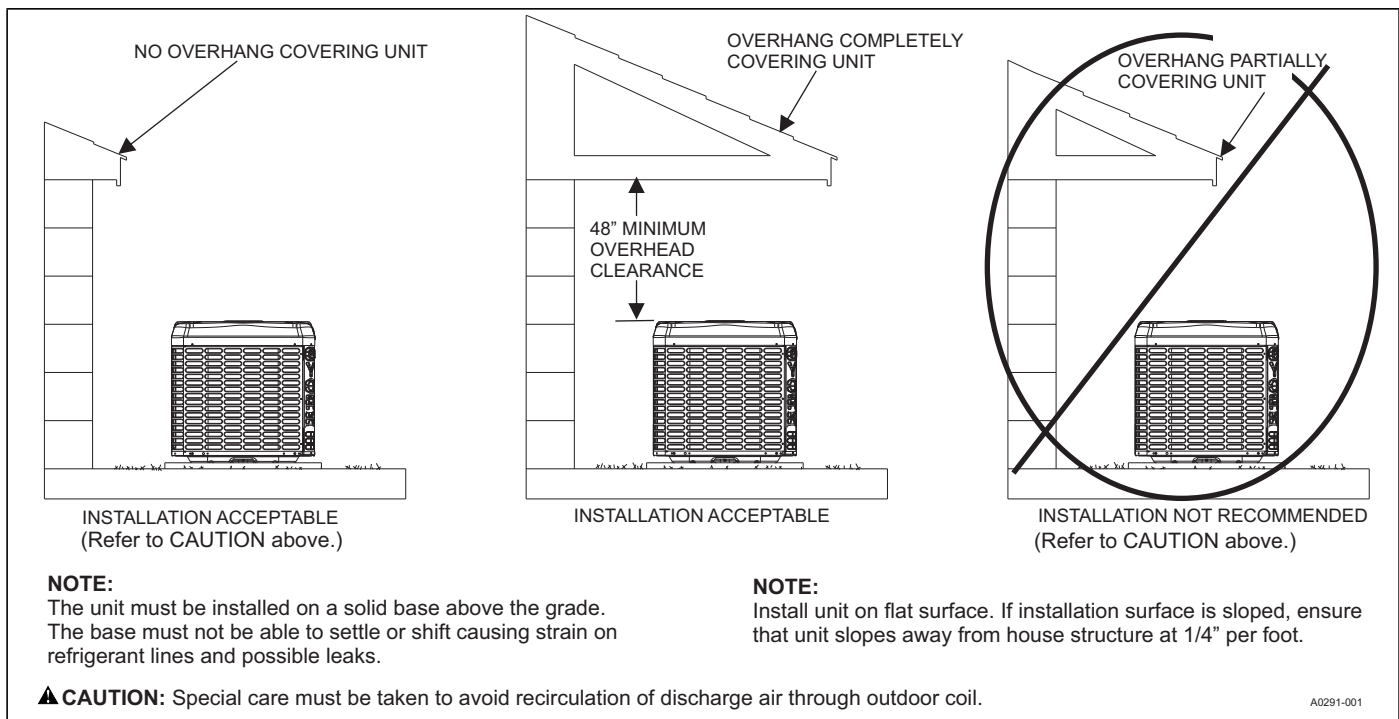
- Unit manufacturer shall provide a 5-Year compressor warranty without a requirement for unit registration.
- Unit manufacturer shall provide a 1-Year parts warranty without a requirement for unit registration.

TYPICAL INSTALLATION

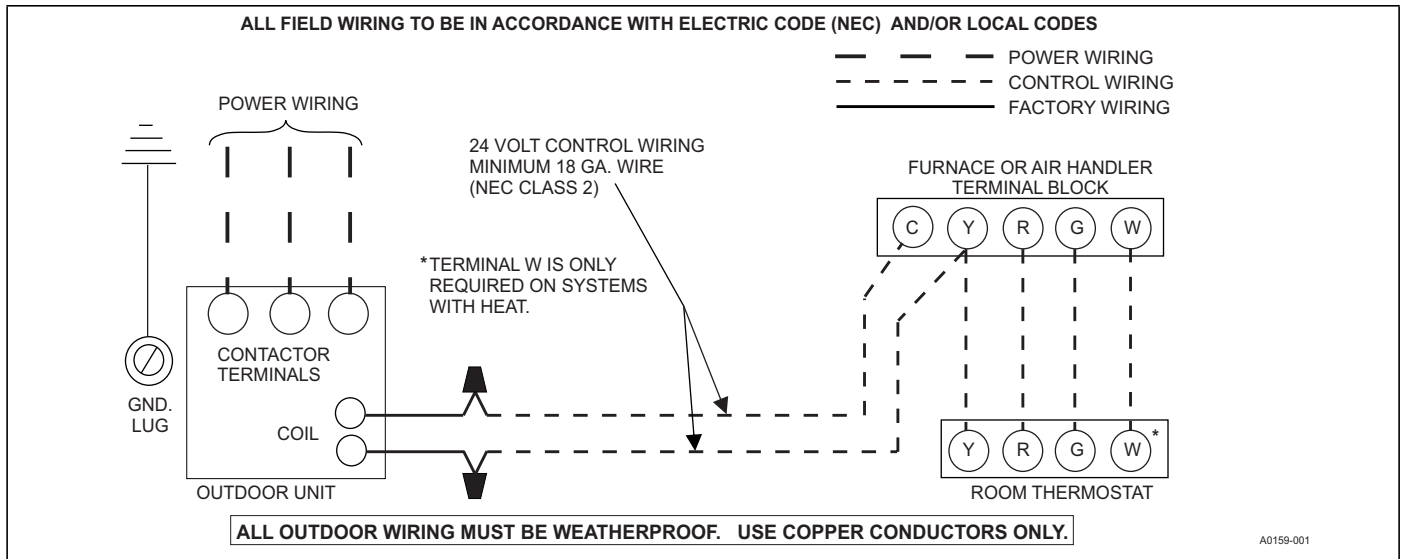


▲ CAUTION

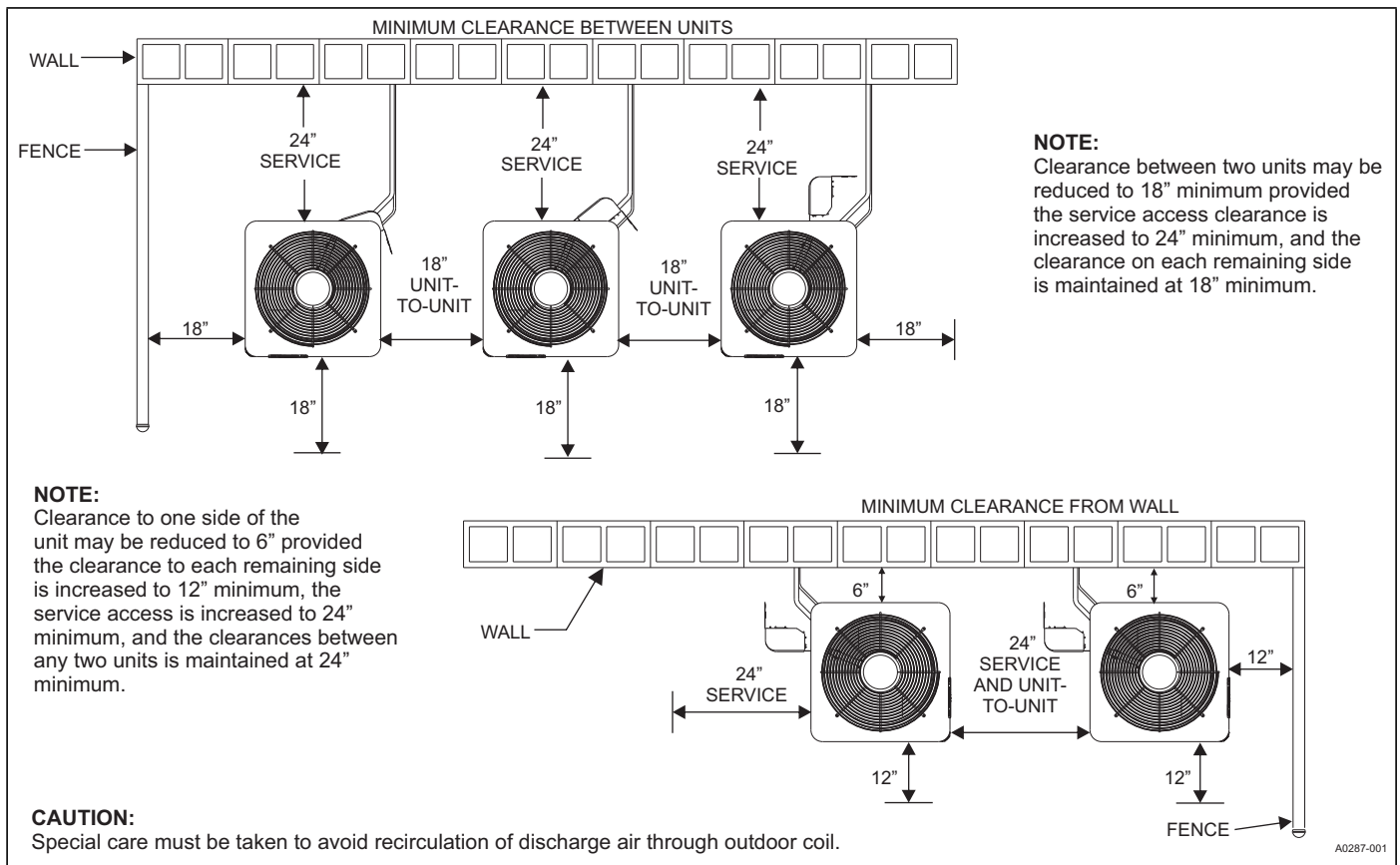
Care must be taken to prevent ice from damaging the unit. Damage may occur from ice falling onto unit from a sloped roof or from a vertical drip line due to a partial overhang.



TYPICAL FIELD WIRING



ALTERNATIVE INSTALLATION CLEARANCES



PERFORMANCE DATA - 2.5 TON 230 Volt

CONDENSER-ONLY DATA (OUTDOOR UNIT)																		
MODEL	SATURATED SUCTION @ COMPRESSOR		Outdoor Ambient Temperature															
			55 °F		65 °F		75 °F		85 °F		95 °F		105 °F		115 °F		125 °F	
	T (°F)	P (PSIG)	MBH	KW	MBH	KW	MBH	KW	MBH	KW	MBH	KW	MBH	KW	MBH	KW	MBH	KW
TCD30B32S	35	107	27.1	1.66	25.8	1.86	24.4	2.06	23.0	2.27	21.5	2.52	20.0	2.81	18.4	3.15	16.7	3.56
	40	118	29.8	1.65	28.4	1.84	27.0	2.04	25.5	2.26	23.8	2.50	22.2	2.79	20.4	3.14	18.6	3.52
	45	130	32.8	1.64	31.3	1.83	29.7	2.03	28.1	2.25	26.3	2.49	24.5	2.78	22.7	3.11	20.7	3.49
	50	142	36.0	1.63	34.4	1.82	32.7	2.03	30.9	2.24	29.0	2.48	27.1	2.76	25.1	3.09	23.0	3.47
	55	156	39.5	1.62	37.7	1.82	35.8	2.02	33.9	2.24	31.9	2.47	29.8	2.75	27.6	3.08	25.4	3.44

Notes:

- For Outdoor Unit (Condenser) performance only. Data does not include the effects of air handler power or heat.
- Performance based on 15°F subcooling and 15°F superheat at the Outdoor Unit base valves.
 - Increase capacity by 1% for each 2°F increase in subcooling.
 - Decrease capacity by 1% for each 2°F decrease in subcooling.
- Maximum recommended condensing temperature is 140°F.

COOLING PERFORMANCE DATA																
OUTDOOR UNIT MODEL NO.		TCD30B32S														
INDOOR COIL MODEL NO.		CF30BXA1														
AIR TEMP. ENTERING OUTDOOR UNIT (°F)	ID CFM	800					1000					1200				
	ID DB (°F)	80	80	75	80	80	80	80	75	80	80	80	80	75	80	80
	ID WB (°F)	57	62	62	67	72	57	62	62	67	72	57	62	62	67	72
55	T.C.	27.0	29.0	29.1	30.9	32.5	28.1	29.3	29.4	31.2	32.5	29.1	29.7	29.7	31.5	32.5
	S.C.	26.8	23.6	20.4	19.5	15.5	27.8	25.0	21.4	20.2	15.7	28.7	26.3	22.3	20.9	16.0
	KW	1.59	1.59	1.59	1.59	1.60	1.66	1.66	1.66	1.67	1.68	1.73	1.74	1.74	1.74	1.75
65	T.C.	26.4	28.2	28.3	30.6	32.7	27.7	28.8	28.8	30.9	32.8	29.0	29.5	29.3	31.3	33.0
	S.C.	26.1	23.2	20.0	19.6	15.6	27.4	25.1	21.4	20.7	16.0	28.6	27.0	22.8	21.8	16.5
	KW	1.75	1.75	1.75	1.75	1.76	1.82	1.82	1.82	1.82	1.83	1.89	1.89	1.89	1.90	1.91
75	T.C.	25.7	27.3	27.4	30.3	32.9	27.3	28.3	28.2	30.7	33.2	28.9	29.3	28.9	31.1	33.5
	S.C.	25.4	22.9	19.6	19.7	15.7	26.9	25.3	21.5	21.2	16.3	28.4	27.6	23.4	22.7	17.0
	KW	1.91	1.91	1.92	1.91	1.91	1.98	1.98	1.98	1.98	1.98	2.05	2.05	2.05	2.05	2.06
85	T.C.	25.0	26.3	26.3	29.2	31.8	26.4	27.0	26.9	29.7	32.2	27.9	27.8	27.6	30.3	32.6
	S.C.	24.6	22.6	19.1	19.2	15.2	26.0	24.9	21.0	20.9	16.1	27.4	27.1	22.9	22.6	16.9
	KW	2.13	2.14	2.14	2.12	2.11	2.20	2.20	2.20	2.19	2.19	2.26	2.27	2.27	2.26	2.26
95	T.C.	24.2	25.3	25.2	28.1	30.8	25.6	25.8	25.7	28.8	31.2	26.9	26.2	26.2	29.5	31.7
	S.C.	23.8	22.4	18.5	18.6	14.8	25.1	24.5	20.5	20.6	15.8	26.4	26.2	22.5	22.6	16.8
	KW	2.35	2.36	2.36	2.34	2.32	2.41	2.42	2.42	2.40	2.39	2.48	2.48	2.48	2.46	2.46
105	T.C.	22.9	23.8	23.5	26.3	29.1	24.2	24.3	24.0	26.8	29.4	25.4	24.9	24.5	27.4	29.8
	S.C.	22.7	21.5	17.7	17.9	14.2	23.8	23.2	19.6	19.7	15.3	25.0	24.9	21.6	21.5	16.4
	KW	2.84	2.83	2.90	2.74	2.68	2.86	2.87	2.90	2.80	2.74	2.87	2.91	2.90	2.86	2.81
115	T.C.	21.7	22.2	21.8	24.5	27.4	22.9	22.9	22.3	24.9	27.7	24.0	23.5	22.8	25.4	28.0
	S.C.	21.6	20.7	16.8	17.3	13.7	22.6	22.0	18.8	18.9	14.8	23.6	23.4	20.7	20.5	15.9
	KW	3.31	3.28	3.41	3.13	3.03	3.29	3.30	3.36	3.19	3.09	3.26	3.32	3.31	3.24	3.15
125	T.C.	20.4	20.7	20.1	22.7	25.7	21.5	21.5	20.6	23.0	25.9	22.6	22.2	21.1	23.3	26.1
	S.C.	20.4	19.8	16.0	16.6	13.2	21.3	20.8	17.9	18.0	14.3	22.2	21.8	19.8	19.4	15.5
	KW	3.78	3.74	3.93	3.53	3.38	3.72	3.73	3.83	3.58	3.44	3.65	3.73	3.72	3.63	3.49

ALL CAPACITIES INCLUDE INDOOR FAN HEAT. KW VALUES ARE FOR THE SYSTEM (OUTDOOR + INDOOR).

Green shaded cells are ACCA (TVA) conditions.

Blue shaded cells are AHRI conditions.

Multipliers for determining the performance with other indoor sections.

NOTE: For dry bulb temperatures different than those listed (between 73-87 °F), sensible capacity increases by 1060 BTUH per 1000 CFM per degree above the listed temperature and decreases by 1060 BTUH per 1000 CFM per degree below the listed temperature.

COIL MULTIPLIERS- 2.5 TON

Air Handler	Coil	T.C.	S.C.	KW
-	CF/CM/CU30B	1.00	1.00	1.00
-	CF/CM/CU30C	1.00	1.00	1.00
-	CF/CM/CU30D	1.00	1.00	1.00
-	CF/CM/CU36B	1.01	1.00	1.01
-	CF/CM/CU36C	1.01	1.00	1.01
-	CF/CM/CU36D	1.01	1.00	1.01
-	CF/CM/CU42C	1.01	1.00	1.01
-	CF/CM/CU42D	1.01	1.00	1.01
-	CF/CM36A	1.00	0.94	1.00
-	CF42B	1.01	1.00	1.01
AE30BX21	-	1.02	1.02	1.00
AE36BX21	-	1.03	1.03	0.99
AE36CX21	-	1.04	1.03	0.98
AP30BX21	-	1.02	1.00	1.02
AP36BX21	-	1.01	1.00	1.01
AP36CX21	-	1.01	1.00	1.01
AP42CX21	-	1.03	1.05	1.03
AVC30BX21	-	1.02	1.01	1.00
AVC36BX21	-	1.04	1.04	0.98
AVC36CX21	-	1.04	1.05	0.98
ME08BN21	CF/CM30B	1.01	0.99	0.97
ME08BN21	CF/CM36B	1.02	0.97	0.96
ME08BN21	CF42B	1.02	0.96	0.98
ME12BN21	CF/CM30B	0.99	0.92	0.95
ME12BN21	CF/CM36B	1.03	1.04	0.99
ME12BN21	CF42B	1.03	1.02	0.99
ME14DN21	CF/CM30D	1.04	1.06	0.98
ME14DN21	CF/CM36D	1.04	1.05	0.98
ME14DN21	CF/CM42D	1.04	1.02	0.98
ME16CN21	CF/CM30C	1.03	1.06	1.01
ME16CN21	CF/CM36C	1.04	1.07	1.02
ME16CN21	CF/CM42C	1.03	1.01	1.01
MVC08BN21	CF42B	1.01	0.93	0.97
MVC12BN21	CF/CM30B	0.99	0.92	0.97
MVC12BN21	CF/CM36B	1.03	1.02	1.01
MVC12BN21	CF42B	1.03	1.02	1.01
MVC14DN21	CF/CM30D	1.02	0.99	0.96
MVC14DN21	CF/CM36D	1.03	1.02	0.97
MVC14DN21	CF/CM42D	1.04	1.02	0.98
MVC16CN21	CF/CM30C	1.01	0.99	0.95
MVC16CN21	CF/CM36C	1.04	1.05	0.98
MVC16CN21	CF/CM42C	1.03	0.98	0.97
MVC20DN21	CF/CM36D	1.04	1.08	0.98
MVC20DN21	CF/CM42D	1.04	1.07	1.00

FURNACE MULTIPLIERS- 2.5 TON

Furnaces	Coil	T.C.	S.C.	KW
TL8E060A12UH11	CF/CM/CU30B	1.00	1.06	1.00
TL8E060A12UH11	CF/CM/CU36B	1.01	1.07	1.00
TL8E060A12UH11	CF42B	1.01	1.06	1.00
TL8E080C16UH11	CF/CM/CU36C	1.03	1.15	1.00
TL8E080C16UH11	CF/CM/CU42C	1.03	1.13	1.00
TL8E080C16UH11	CF/CM30C	1.01	1.11	1.00
TL8E080C16UH11	CF/CM36D	1.03	1.15	1.02
TL8E080C16UH11	CF/CM42D	1.03	1.13	1.00
TL8E100C20UH11	CF/CM/CU36C	1.03	1.20	1.01
TL8E100C20UH11	CF/CM/CU42C	1.04	1.19	1.02
TL8E100C20UH11	CF/CM30C	1.03	1.19	1.00
TL8E100C20UH11	CF/CM36D	1.03	1.20	1.01
TL8E100C20UH11	CF/CM42D	1.04	1.19	1.02
TL9E060B12UH11	CF/CM/CU30B	1.00	1.06	1.00
TL9E060B12UH11	CF/CM/CU36B	1.01	1.07	1.00
TL9E060B12UH11	CF/CM/CU36C	1.01	1.08	1.00
TL9E060B12UH11	CF/CM/CU42C	1.01	1.08	1.01
TL9E060B12UH11	CF/CM30C	1.00	1.06	1.00
TL9E060B12UH11	CF42B	1.01	1.06	1.00
TL9E080C16UH11	CF/CM/CU36C	1.01	1.11	0.99
TL9E080C16UH11	CF/CM/CU42C	1.02	1.10	1.00
TL9E080C16UH11	CF/CM30C	1.01	1.10	1.01
TL9E080C16UH11	CF/CM36D	1.01	1.11	1.01
TL9E080C16UH11	CF/CM42D	1.02	1.10	1.02
TL9E100C20UH11	CF/CM/CU36C	1.03	1.21	1.02
TL9E100C20UH11	CF/CM/CU42C	1.04	1.24	1.02
TL9E100C20UH11	CF/CM30C	1.02	1.23	1.02
TL9E100C20UH11	CF/CM36D	1.03	1.22	1.02
TL9E100C20UH11	CF/CM42D	1.04	1.24	1.04
TM9E060A10MP12	CF/CM/CU36B	0.99	1.05	0.99
TM9E060A10MP12	CF42B	1.01	1.05	1.00
TM9E060B12MP12	CF/CM/CU30B	1.00	1.10	1.00
TM9E060B12MP12	CF/CM/CU36B	1.01	1.11	1.01
TM9E060B12MP12	CF/CM/CU36C	1.01	1.13	1.01
TM9E060B12MP12	CF/CM/CU42C	1.02	1.13	1.02
TM9E060B12MP12	CF/CM30C	1.01	1.11	1.02
TM9E060B12MP12	CF42B	1.01	1.10	1.01
TM9E080B12MP12	CF/CM/CU30B	1.01	1.12	1.00
TM9E080B12MP12	CF/CM/CU36B	1.01	1.11	1.01
TM9E080B12MP12	CF/CM/CU36C	1.02	1.14	1.02
TM9E080B12MP12	CF/CM/CU42C	1.03	1.13	1.02
TM9E080B12MP12	CF/CM30C	1.01	1.12	1.01
TM9E080B12MP12	CF42B	1.02	1.11	1.02
TM9E080C16MP12	CF/CM/CU36C	1.01	1.10	1.01
TM9E080C16MP12	CF/CM/CU42C	1.02	1.09	1.02
TM9E080C16MP12	CF/CM30C	1.01	1.07	1.00
TM9E080C16MP12	CF/CM36D	1.01	1.11	1.01
TM9E080C16MP12	CF/CM42D	1.02	1.10	1.02
TM9E100C16MP12	CF/CM/CU36C	1.02	1.11	1.00
TM9E100C16MP12	CF/CM/CU42C	1.03	1.12	1.00
TM9E100C16MP12	CF/CM30C	1.01	1.11	1.00
TM9E100C16MP12	CF/CM36D	1.02	1.14	1.02
TM9E100C16MP12	CF/CM42D	1.03	1.13	1.02
TM9E100C20MP12	CF/CM/CU36C	1.04	1.25	1.04
TM9V080C16MP11C	CF/CM/CU36C	1.02	1.14	1.00

FURNACE MULTIPLIERS- 2.5 TON (Continued)

Furnaces	Coil	T.C.	S.C.	KW
TM9V080C16MP11C	CF/CM/CU42C	1.03	1.13	1.00
TM9V080C16MP11C	CF/CM30C	1.01	1.12	0.99
TM9V080C16MP11C	CF/CM36D	1.02	1.14	1.00
TM9V080C16MP11C	CF/CM42D	1.03	1.13	1.00
TM9V080C16MP12C	CF/CM/CU36C	1.02	1.14	1.00
TM9V080C16MP12C	CF/CM/CU42C	1.03	1.13	1.00
TM9V080C16MP12C	CF/CM30C	1.01	1.12	0.99
TM9V080C16MP12C	CF/CM36D	1.02	1.14	1.00
TM9V080C16MP12C	CF/CM42D	1.03	1.13	1.00
TP9C080C16MP13C	CF/CM/CU36C	1.02	1.14	1.00
TP9C080C16MP13C	CF/CM/CU42C	1.03	1.13	1.00

FURNACE MULTIPLIERS- 2.5 TON (Continued)

Furnaces	Coil	T.C.	S.C.	KW
TP9C080C16MP13C	CF/CM30C	1.01	1.12	0.99
TP9C080C16MP13C	CF/CM36D	1.02	1.14	1.00
TP9C080C16MP13C	CF/CM42D	1.03	1.13	1.00
YP9C080C16MP13C	CF/CM/CU36C	1.02	1.14	1.00
YP9C080C16MP13C	CF/CM/CU42C	1.03	1.13	1.00
YP9C080C16MP13C	CF/CM30C	1.01	1.12	0.99
YP9C080C16MP13C	CF/CM36D	1.02	1.14	1.00
YP9C080C16MP13C	CF/CM42D	1.03	1.13	1.00

PERFORMANCE DATA - 2.5 TON 460 Volt

CONDENSER-ONLY DATA (OUTDOOR UNIT)																		
MODEL	SATURATED SUCTION @ COMPRESSOR		Outdoor Ambient Temperature															
			55 °F		65 °F		75 °F		85 °F		95 °F		105 °F		115 °F		125 °F	
	T (°F)	P (PSIG)	MBH	KW	MBH	KW	MBH	KW	MBH	KW	MBH	KW	MBH	KW	MBH	KW	MBH	KW
TCD30B42S	35	107	27.1	1.68	25.8	1.87	24.4	2.07	23.0	2.29	21.5	2.54	20.0	2.83	18.3	3.17	16.7	3.57
	40	118	29.9	1.66	28.5	1.86	27.0	2.06	25.5	2.28	23.8	2.52	22.2	2.81	20.4	3.15	18.6	3.54
	45	130	32.8	1.65	31.3	1.85	29.7	2.05	28.1	2.27	26.3	2.51	24.5	2.79	22.6	3.13	20.7	3.51
	50	142	36.0	1.64	34.4	1.84	32.7	2.04	30.9	2.26	29.0	2.50	27.1	2.78	25.0	3.11	22.9	3.48
	55	156	39.4	1.63	37.7	1.84	35.8	2.04	33.9	2.26	31.9	2.49	29.8	2.77	27.6	3.10	25.4	3.46

Notes:

- For Outdoor Unit (Condenser) performance only. Data does not include the effects of air handler power or heat.
- Performance based on 15°F subcooling and 15°F superheat at the Outdoor Unit base valves.
 - Increase capacity by 1% for each 2°F increase in subcooling.
 - Decrease capacity by 1% for each 2°F decrease in subcooling.
- Maximum recommended condensing temperature is 140°F.

COOLING PERFORMANCE DATA																
OUTDOOR UNIT MODEL NO.		TCD30B42S														
INDOOR COIL MODEL NO.		CF30BXA1														
AIR TEMP. ENTERING OUTDOOR UNIT (°F)	ID CFM	800					1000					1200				
	ID DB (°F)	80	80	75	80	80	80	80	75	80	80	80	80	75	80	80
	ID WB (°F)	57	62	62	67	72	57	62	62	67	72	57	62	62	67	72
55	T.C.	27.0	29.0	29.1	30.9	32.5	28.1	29.3	29.4	31.2	32.5	29.1	29.7	29.7	31.5	32.5
	S.C.	26.8	23.6	20.4	19.5	15.5	27.8	25.0	21.4	20.2	15.7	28.7	26.3	22.3	20.9	16.0
	KW	1.59	1.59	1.59	1.59	1.60	1.66	1.66	1.66	1.67	1.68	1.73	1.74	1.74	1.74	1.75
65	T.C.	26.4	28.2	28.3	30.6	32.7	27.7	28.8	28.8	30.9	32.8	29.0	29.5	29.3	31.3	33.0
	S.C.	26.1	23.2	20.0	19.6	15.6	27.4	25.1	21.4	20.7	16.0	28.6	27.0	22.8	21.8	16.5
	KW	1.75	1.75	1.75	1.75	1.76	1.82	1.82	1.82	1.82	1.83	1.89	1.89	1.89	1.90	1.91
75	T.C.	25.7	27.3	27.4	30.3	32.9	27.3	28.3	28.2	30.7	33.2	28.9	29.3	28.9	31.1	33.5
	S.C.	25.4	22.9	19.6	19.7	15.7	26.9	25.3	21.5	21.2	16.3	28.4	27.6	23.4	22.7	17.0
	KW	1.91	1.91	1.92	1.91	1.91	1.98	1.98	1.98	1.98	1.98	2.05	2.05	2.05	2.05	2.06
85	T.C.	25.0	26.3	26.3	29.2	31.8	26.4	27.0	26.9	29.7	32.2	27.9	27.8	27.6	30.3	32.6
	S.C.	24.6	22.6	19.1	19.2	15.2	26.0	24.9	21.0	20.9	16.1	27.4	27.1	22.9	22.6	16.9
	KW	2.13	2.14	2.14	2.12	2.11	2.20	2.20	2.20	2.19	2.19	2.26	2.27	2.27	2.26	2.26
95	T.C.	24.2	25.3	25.2	28.1	30.8	25.6	25.8	25.7	28.8	31.2	26.9	26.2	26.2	29.5	31.7
	S.C.	23.8	22.4	18.5	18.6	14.8	25.1	24.5	20.5	20.6	15.8	26.4	26.2	22.5	22.6	16.8
	KW	2.35	2.36	2.36	2.34	2.32	2.41	2.42	2.42	2.40	2.39	2.48	2.48	2.48	2.46	2.46
105	T.C.	22.9	23.8	23.5	26.3	29.1	24.2	24.3	24.0	26.8	29.4	25.4	24.9	24.5	27.4	29.8
	S.C.	22.7	21.5	17.7	17.9	14.2	23.8	23.2	19.6	19.7	15.3	25.0	24.9	21.6	21.5	16.4
	KW	2.84	2.83	2.90	2.74	2.68	2.86	2.87	2.90	2.80	2.74	2.87	2.91	2.90	2.86	2.81
115	T.C.	21.7	22.2	21.8	24.5	27.4	22.9	22.9	22.3	24.9	27.7	24.0	23.5	22.8	25.4	28.0
	S.C.	21.6	20.7	16.8	17.3	13.7	22.6	22.0	18.8	18.9	14.8	23.6	23.4	20.7	20.5	15.9
	KW	3.31	3.28	3.41	3.13	3.03	3.29	3.30	3.36	3.19	3.09	3.26	3.32	3.31	3.24	3.15
125	T.C.	20.4	20.7	20.1	22.7	25.7	21.5	21.5	20.6	23.0	25.9	22.6	22.2	21.1	23.3	26.1
	S.C.	20.4	19.8	16.0	16.6	13.2	21.3	20.8	17.9	18.0	14.3	22.2	21.8	19.8	19.4	15.5
	KW	3.78	3.74	3.93	3.53	3.38	3.72	3.73	3.83	3.58	3.44	3.65	3.73	3.72	3.63	3.49

ALL CAPACITIES INCLUDE INDOOR FAN HEAT. KW VALUES ARE FOR THE SYSTEM (OUTDOOR + INDOOR).

Green shaded cells are ACCA (TVA) conditions.

Blue shaded cells are AHRI conditions.

Multipliers for determining the performance with other indoor sections.

NOTE: For dry bulb temperatures different than those listed (between 73-87 °F), sensible capacity increases by 1060 BTUH per 1000 CFM per degree above the listed temperature and decreases by 1060 BTUH per 1000 CFM per degree below the listed temperature.

COIL MULTIPLIERS- 2.5 TON

Air Handler	Coil	T.C.	S.C.	KW
-	CF/CM/CU30B	1.00	1.00	1.00
-	CF/CM/CU30C	1.00	1.00	1.00
-	CF/CM/CU30D	1.00	1.00	1.00
-	CF/CM/CU36B	1.01	1.00	1.01
-	CF/CM/CU36C	1.01	1.00	1.01
-	CF/CM/CU36D	1.01	1.00	1.01
-	CF/CM/CU42C	1.01	1.00	1.01
-	CF/CM/CU42D	1.01	1.00	1.01
-	CF/CM36A	1.00	0.94	1.00
-	CF42B	1.01	1.00	1.01
AE30BX21	-	1.02	1.02	1.00
AE36BX21	-	1.03	1.03	0.99
AE36CX21	-	1.04	1.03	0.98
AP30BX21	-	1.02	1.00	1.02
AP36BX21	-	1.01	1.00	1.01
AP36CX21	-	1.01	1.00	1.01
AP42CX21	-	1.03	1.05	1.03
AVC30BX21	-	1.02	1.01	1.00
AVC36BX21	-	1.04	1.04	0.98
AVC36CX21	-	1.04	1.05	0.98
ME08BN21	CF/CM30B	1.01	0.99	0.97
ME08BN21	CF/CM36B	1.02	0.97	0.96
ME08BN21	CF42B	1.02	0.96	0.98
ME12BN21	CF/CM30B	0.99	0.92	0.95
ME12BN21	CF/CM36B	1.03	1.04	0.99
ME12BN21	CF42B	1.03	1.02	0.99
ME14DN21	CF/CM30D	1.04	1.06	0.98
ME14DN21	CF/CM36D	1.04	1.05	0.98
ME14DN21	CF/CM42D	1.04	1.02	0.98
ME16CN21	CF/CM30C	1.03	1.06	1.01
ME16CN21	CF/CM36C	1.04	1.07	1.02
ME16CN21	CF/CM42C	1.03	1.01	1.01
ME12BN41	CF/CM30B	1.00	1.06	0.97
ME12BN41	CF/CM36B	1.01	1.07	0.98
ME12BN41	CF42B	1.01	1.06	0.98
ME16CN41	CF/CM30C	1.01	1.11	1.00
ME16CN41	CF/CM36C	1.02	1.11	1.02
ME16CN41	CF/CM42C	1.02	1.13	1.02
MVC08BN21	CF42B	1.01	0.93	0.97
MVC12BN21	CF/CM30B	0.99	0.92	0.97
MVC12BN21	CF/CM36B	1.03	1.02	1.01
MVC12BN21	CF42B	1.03	1.02	1.01
MVC14DN21	CF/CM30D	1.02	0.99	0.96
MVC14DN21	CF/CM36D	1.03	1.02	0.97
MVC14DN21	CF/CM42D	1.04	1.02	0.98
MVC16CN21	CF/CM30C	1.01	0.99	0.95
MVC16CN21	CF/CM36C	1.04	1.05	0.98
MVC16CN21	CF/CM42C	1.03	0.98	0.97
MVC20DN21	CF/CM36D	1.04	1.08	0.98
MVC20DN21	CF/CM42D	1.04	1.07	1.00

FURNACE MULTIPLIERS- 2.5 TON

Furnaces	Coil	T.C.	S.C.	KW
TL9E080C16UH11	CF/CM42D	1.02	1.10	1.02
TL9E100C20UH11	CF/CM/CU36C	1.03	1.21	1.02
TL9E100C20UH11	CF/CM/CU42C	1.04	1.24	1.02
TL9E100C20UH11	CF/CM30C	1.02	1.23	1.02
TL9E100C20UH11	CF/CM36D	1.03	1.22	1.02
TL9E100C20UH11	CF/CM42D	1.04	1.24	1.04
TM9E060A10MP12	CF/CM/CU36B	0.99	1.05	0.99
TM9E060A10MP12	CF42B	1.01	1.05	1.00
TM9E060B12MP12	CF/CM/CU30B	1.00	1.10	1.00
TM9E060B12MP12	CF/CM/CU36B	1.01	1.11	1.01
TM9E060B12MP12	CF/CM/CU36C	1.01	1.13	1.01
TM9E060B12MP12	CF/CM/CU42C	1.02	1.13	1.02
TM9E060B12MP12	CF/CM30C	1.01	1.11	1.02
TM9E060B12MP12	CF42B	1.01	1.10	1.01
TM9E080B12MP12	CF/CM/CU30B	1.01	1.12	1.00
TM9E080B12MP12	CF/CM/CU36B	1.01	1.11	1.01
TM9E080B12MP12	CF/CM/CU36C	1.02	1.14	1.02
TM9E080B12MP12	CF/CM/CU42C	1.03	1.13	1.02
TM9E080B12MP12	CF/CM30C	1.01	1.12	1.01
TM9E080B12MP12	CF42B	1.02	1.11	1.02
TM9E080C16MP12	CF/CM/CU36C	1.01	1.10	1.01
TM9E080C16MP12	CF/CM/CU42C	1.02	1.09	1.02
TM9E080C16MP12	CF/CM30C	1.01	1.07	1.00
TM9E080C16MP12	CF/CM36D	1.01	1.11	1.01
TM9E080C16MP12	CF/CM42D	1.02	1.10	1.02
TM9E100C16MP12	CF/CM/CU36C	1.02	1.11	1.00
TM9E100C16MP12	CF/CM/CU42C	1.03	1.12	1.00
TM9E100C16MP12	CF/CM30C	1.01	1.11	1.00
TM9E100C16MP12	CF/CM36D	1.02	1.14	1.02
TM9E100C16MP12	CF/CM42D	1.03	1.13	1.02
TM9E100C20MP12	CF/CM/CU36C	1.04	1.25	1.04
TM9V080C16MP11C	CF/CM/CU36C	1.02	1.14	1.00
TM9V080C16MP11C	CF/CM/CU42C	1.03	1.13	1.00
TM9V080C16MP11C	CF/CM30C	1.01	1.12	0.99
TM9V080C16MP11C	CF/CM36D	1.02	1.14	1.00
TM9V080C16MP11C	CF/CM42D	1.03	1.13	1.00
TM9V080C16MP12C	CF/CM/CU36C	1.02	1.14	1.00
TM9V080C16MP12C	CF/CM/CU42C	1.03	1.13	1.00
TM9V080C16MP12C	CF/CM30C	1.01	1.12	0.99
TM9V080C16MP12C	CF/CM36D	1.02	1.14	1.00
TM9V080C16MP12C	CF/CM42D	1.03	1.13	1.00
TP9C080C16MP13C	CF/CM/CU36C	1.02	1.14	1.00
TP9C080C16MP13C	CF/CM/CU42C	1.03	1.13	1.00
TP9C080C16MP13C	CF/CM30C	1.01	1.12	0.99
TP9C080C16MP13C	CF/CM36D	1.02	1.14	1.00
TP9C080C16MP13C	CF/CM42D	1.03	1.13	1.00
YP9C080C16MP13C	CF/CM/CU36C	1.02	1.14	1.00
YP9C080C16MP13C	CF/CM/CU42C	1.03	1.13	1.00
YP9C080C16MP13C	CF/CM30C	1.01	1.12	0.99
YP9C080C16MP13C	CF/CM36D	1.02	1.14	1.00
YP9C080C16MP13C	CF/CM42D	1.03	1.13	1.00

PERFORMANCE DATA - 3 TON 230 Volt

CONDENSER-ONLY DATA (OUTDOOR UNIT)																		
MODEL	SATURATED SUCTION @ COMPRESSOR		Outdoor Ambient Temperature															
			55 °F		65 °F		75 °F		85 °F		95 °F		105 °F		115 °F		125 °F	
	T (°F)	P (PSIG)	MBH	KW	MBH	KW	MBH	KW	MBH	KW	MBH	KW	MBH	KW	MBH	KW	MBH	KW
TCD36B32S	35	107	35.4	2.06	33.6	2.30	31.8	2.55	29.9	2.83	27.9	3.15	25.8	3.52	23.6	3.94	21.2	4.42
	40	118	39.0	2.05	37.1	2.29	35.1	2.54	33.1	2.82	31.0	3.13	28.8	3.50	26.4	3.92	24.0	4.38
	45	130	42.9	2.05	40.8	2.28	38.7	2.53	36.5	2.81	34.3	3.12	31.9	3.48	29.5	3.89	26.9	4.35
	50	142	47.0	2.05	44.7	2.28	42.5	2.54	40.2	2.81	37.7	3.11	35.3	3.47	32.7	3.87	29.9	4.32
	55	156	51.4	2.07	48.9	2.30	46.5	2.54	44.0	2.82	41.4	3.11	38.8	3.46	36.0	3.86	33.1	4.30

Notes:

- For Outdoor Unit (Condenser) performance only. Data does not include the effects of air handler power or heat.
- Performance based on 15°F subcooling and 15°F superheat at the Outdoor Unit base valves.
 - Increase capacity by 1% for each 2°F increase in subcooling.
 - Decrease capacity by 1% for each 2°F decrease in subcooling.
- Maximum recommended condensing temperature is 140°F.

COOLING PERFORMANCE DATA																
OUTDOOR UNIT MODEL NO.		TCD36B32S														
INDOOR COIL MODEL NO.		CF36BXA1														
AIR TEMP. ENTERING OUTDOOR UNIT (°F)	ID CFM	1000					1200					1400				
	ID DB (°F)	80	80	75	80	80	80	80	75	80	80	80	80	75	80	80
	ID WB (°F)	57	62	62	67	72	57	62	62	67	72	57	62	62	67	72
55	T.C.	34.1	37.4	37.7	39.0	40.2	32.6	38.1	38.4	39.7	40.3	31.0	38.9	39.1	40.5	40.4
	S.C.	34.1	30.8	26.3	24.8	19.1	32.6	32.9	28.0	25.9	19.5	31.0	35.0	29.8	27.1	20.0
	KW	1.92	1.92	1.92	1.93	1.94	1.99	1.99	1.99	2.00	2.01	2.06	2.06	2.06	2.07	2.09
65	T.C.	32.8	45.3	36.1	38.6	40.8	33.0	41.5	37.0	39.2	41.0	33.3	37.7	37.9	39.9	41.3
	S.C.	32.8	29.8	25.4	24.7	19.3	33.0	32.3	27.4	26.4	20.0	33.3	34.7	29.4	28.0	20.7
	KW	2.12	2.12	2.12	2.12	2.12	2.18	2.18	2.19	2.19	2.20	2.25	2.25	2.26	2.26	2.27
75	T.C.	31.6	53.1	34.6	38.2	41.4	33.5	44.8	35.6	38.8	41.7	35.5	36.6	36.7	39.3	42.1
	S.C.	31.6	28.8	24.6	24.7	19.5	33.5	31.6	26.8	26.8	20.5	35.5	34.5	29.1	28.9	21.5
	KW	2.32	2.31	2.32	2.31	2.31	2.38	2.38	2.38	2.37	2.38	2.44	2.44	2.45	2.44	2.45
85	T.C.	30.4	42.1	32.9	36.3	39.8	32.2	38.3	33.8	36.9	40.3	34.0	34.6	34.7	37.5	40.8
	S.C.	30.4	27.9	23.7	23.8	19.0	32.2	30.5	25.8	25.9	20.1	34.0	33.2	27.9	28.0	21.1
	KW	2.62	2.61	2.63	2.59	2.56	2.67	2.67	2.68	2.64	2.64	2.72	2.73	2.74	2.70	2.71
95	T.C.	29.3	31.0	31.3	34.3	38.2	30.8	31.8	32.0	35.0	38.9	32.4	32.6	32.7	35.7	39.5
	S.C.	29.3	27.1	22.8	22.9	18.4	30.8	29.5	24.7	25.0	19.6	32.4	31.9	26.7	27.1	20.8
	KW	2.92	2.91	2.95	2.87	2.82	2.96	2.96	2.98	2.92	2.89	3.00	3.01	3.02	2.96	2.96
105	T.C.	27.9	28.8	29.0	32.1	35.6	29.4	29.8	29.8	32.7	36.1	30.9	30.7	30.5	33.3	36.7
	S.C.	27.9	26.0	21.9	22.2	17.6	29.4	28.1	24.0	24.3	18.7	30.9	30.2	26.0	26.4	19.9
	KW	3.47	3.52	3.54	3.40	3.34	3.49	3.52	3.56	3.44	3.40	3.51	3.52	3.57	3.48	3.45
115	T.C.	26.5	26.7	26.8	30.1	33.1	28.0	27.8	27.6	30.5	33.5	29.4	28.9	28.5	31.0	34.0
	S.C.	26.5	25.0	21.1	21.5	16.7	28.0	26.8	23.2	23.6	17.8	29.4	28.7	25.4	25.7	18.9
	KW	4.00	4.12	4.12	3.91	3.83	4.01	4.07	4.11	3.95	3.88	4.01	4.02	4.11	3.99	3.93
125	T.C.	25.2	24.6	24.6	28.0	30.5	26.6	25.8	25.5	28.3	30.9	27.9	27.1	26.4	28.6	31.3
	S.C.	25.2	24.0	20.2	20.7	15.8	26.6	25.5	22.5	22.9	16.9	27.9	27.1	24.8	25.0	18.0
	KW	4.54	4.71	4.69	4.42	4.33	4.52	4.61	4.67	4.46	4.37	4.50	4.52	4.64	4.50	4.41

ALL CAPACITIES INCLUDE INDOOR FAN HEAT. KW VALUES ARE FOR THE SYSTEM (OUTDOOR + INDOOR).

Green shaded cells are ACCA (TVA) conditions.

Blue shaded cells are AHRI conditions.

Multipliers for determining the performance with other indoor sections.

NOTE: For dry bulb temperatures different than those listed (between 73-87 °F), sensible capacity increases by 1060 BTUH per 1000 CFM per degree above the listed temperature and decreases by 1060 BTUH per 1000 CFM per degree below the listed temperature.

COIL MULTIPLIERS- 3 TON

Air Handler	Coil	T.C.	S.C.	KW
-	CF/CM/CU36B	1.00	1.00	1.00
-	CF/CM/CU36C	1.00	1.00	1.00
-	CF/CM/CU36D	1.00	1.00	1.00
-	CF/CM/CU42C	1.03	1.02	1.03
-	CF/CM/CU42D	1.03	1.02	1.03
-	CF/CM/CU48C	1.03	1.02	1.03
-	CF/CM/CU48D	1.03	1.02	1.03
-	CF42B	1.03	1.02	1.03
AE36BX21	-	1.03	0.96	1.01
AE36CX21	-	1.03	1.04	0.97
AE42CX21	-	1.03	1.02	0.99
AE48CX21	-	1.03	1.04	0.97
AE48DX21	-	1.03	1.03	0.97
AP36BX21	-	1.01	0.94	1.01
AP36CX21	-	1.03	1.03	1.03
AP42CX21	-	1.03	1.04	1.03
AP48CX21	-	1.03	1.02	1.03
AP48DX21	-	1.03	1.06	1.03
AVC36BX21	-	1.03	0.96	1.01
AVC36CX21	-	1.03	1.02	0.97
AVC42CX21	-	1.03	1.01	0.97
AVC48CX21	-	1.03	0.98	0.97
AVC48DX21	-	1.03	1.07	0.97
ME12BN21	CF/CM36B	1.03	0.96	1.01
ME12BN21	CF42B	1.03	0.96	1.01
ME14DN21	CF/CM36D	1.03	1.05	0.97
ME14DN21	CF/CM42D	1.03	1.04	0.97
ME14DN21	CF/CM48D	1.03	1.02	0.97
ME16CN21	CF/CM36C	1.03	1.04	0.97
ME16CN21	CF/CM42C	1.03	1.03	0.97
ME16CN21	CF/CM48C	1.03	1.03	0.97
ME20DN21	CF/CM36D	1.03	1.07	1.01
ME20DN21	CF/CM42D	1.03	1.07	1.01
ME20DN21	CF/CM48D	1.03	1.06	1.01
MVC08BN21	CF42B	1.03	0.96	1.01
MVC12BN21	CF/CM36B	1.03	0.96	1.01
MVC12BN21	CF42B	1.03	0.96	1.01
MVC14DN21	CF/CM36D	1.03	0.94	0.99
MVC14DN21	CF/CM42D	1.03	1.05	0.97
MVC14DN21	CF/CM48D	1.03	1.01	0.97
MVC16CN21	CF/CM36C	1.03	0.99	0.97
MVC16CN21	CF/CM42C	1.03	1.06	0.99
MVC16CN21	CF/CM48C	1.03	1.02	0.97
MVC20DN21	CF/CM36D	1.03	1.00	0.97
MVC20DN21	CF/CM42D	1.03	1.02	0.99
MVC20DN21	CF/CM48D	1.03	1.02	0.97

FURNACE MULTIPLIERS- 3 TON

Furnaces	Coil	T.C.	S.C.	KW
TL8E060A12UH11	CF/CM/CU36B	1.03	1.07	1.05
TL8E060A12UH11	CF42B	1.03	1.05	1.02
TL8E080C16UH11	CF/CM/CU36C	1.03	1.10	1.00
TL8E080C16UH11	CF/CM/CU42C	1.03	1.09	1.00
TL8E080C16UH11	CF/CM/CU48C	1.03	1.10	1.00
TL8E080C16UH11	CF/CM/CU48D	1.03	1.10	1.00
TL8E080C16UH11	CF/CM36D	1.03	1.10	1.02
TL8E080C16UH11	CF/CM42D	1.03	1.09	1.02
TL8E100C20UH11	CF/CM/CU36C	1.03	1.08	0.98
TL8E100C20UH11	CF/CM/CU42C	1.03	1.06	0.98
TL8E100C20UH11	CF/CM/CU48C	1.03	1.08	0.98
TL8E100C20UH11	CF/CM/CU48D	1.03	1.08	0.98
TL8E100C20UH11	CF/CM36D	1.03	1.08	1.00
TL8E100C20UH11	CF/CM42D	1.03	1.06	0.98
TL9E060B12UH11	CF/CM/CU36B	1.03	1.08	1.05
TL9E060B12UH11	CF/CM/CU36C	1.03	1.08	1.05
TL9E060B12UH11	CF/CM/CU42C	1.03	1.07	1.05
TL9E060B12UH11	CF/CM/CU48C	1.03	1.08	1.05
TL9E060B12UH11	CF42B	1.03	1.05	1.02
TL9E080C16UH11	CF/CM/CU36C	1.03	1.09	1.02
TL9E080C16UH11	CF/CM/CU42C	1.03	1.07	1.02
TL9E080C16UH11	CF/CM/CU48C	1.03	1.09	1.00
TL9E080C16UH11	CF/CM/CU48D	1.03	1.09	1.02
TL9E080C16UH11	CF/CM36D	1.03	1.10	1.02
TL9E080C16UH11	CF/CM42D	1.03	1.08	1.02
TL9E100C20UH11	CF/CM/CU36C	1.03	1.10	1.00
TL9E100C20UH11	CF/CM/CU42C	1.03	1.09	0.98
TL9E100C20UH11	CF/CM/CU48C	1.03	1.10	0.98
TL9E100C20UH11	CF/CM/CU48D	1.03	1.10	1.00
TL9E100C20UH11	CF/CM36D	1.03	1.11	1.00
TL9E100C20UH11	CF/CM42D	1.03	1.10	1.00
TM9E060A10MP12	CF/CM/CU36B	1.02	1.07	1.04
TM9E060A10MP12	CF42B	1.03	1.05	1.05
TM9E060B12MP11	CF/CM/CU36B	1.03	1.10	1.02
TM9E060B12MP12	CF/CM/CU36B	1.03	1.09	1.05
TM9E060B12MP12	CF/CM/CU36C	1.03	1.10	1.05
TM9E060B12MP12	CF/CM/CU42C	1.03	1.08	1.05
TM9E060B12MP12	CF/CM/CU48C	1.03	1.09	1.05
TM9E060B12MP12	CF42B	1.03	1.07	1.05
TM9E080B12MP12	CF/CM/CU36B	1.03	1.07	1.02
TM9E080B12MP12	CF/CM/CU36C	1.03	1.09	1.02
TM9E080B12MP12	CF/CM/CU42C	1.03	1.07	1.02
TM9E080B12MP12	CF/CM/CU48C	1.03	1.09	1.02
TM9E080B12MP12	CF42B	1.03	1.05	1.02
TM9E080C16MP12	CF/CM/CU36C	1.03	1.09	1.02
TM9E080C16MP12	CF/CM/CU42C	1.03	1.07	1.02
TM9E080C16MP12	CF/CM/CU48C	1.03	1.09	1.00
TM9E080C16MP12	CF/CM/CU48D	1.03	1.09	1.02
TM9E080C16MP12	CF/CM36D	1.03	1.10	1.02
TM9E080C16MP12	CF/CM42D	1.03	1.08	1.02
TM9E080C20MP12	CF/CM/CU36C	1.03	1.15	1.00
TM9E080C20MP12	CF/CM/CU42C	1.03	1.12	1.00
TM9E080C20MP12	CF/CM/CU48C	1.03	1.14	1.00
TM9E080C20MP12	CF/CM/CU48D	1.03	1.14	1.00
TM9E080C20MP12	CF/CM36D	1.03	1.14	1.00

FURNACE MULTIPLIERS- 3 TON (Continued)

Furnaces	Coil	T.C.	S.C.	KW
TM9E080C20MP12	CF/CM42D	1.03	1.13	1.00
TM9E100C16MP12	CF/CM/CU36C	1.03	1.09	1.00
TM9E100C16MP12	CF/CM/CU42C	1.03	1.07	1.00
TM9E100C16MP12	CF/CM/CU48C	1.03	1.09	1.00
TM9E100C16MP12	CF/CM/CU48D	1.03	1.09	1.00
TM9E100C16MP12	CF/CM36D	1.03	1.09	1.02
TM9E100C16MP12	CF/CM42D	1.03	1.07	1.02
TM9E100C20MP12	CF/CM/CU36C	1.03	1.15	1.00
TM9E100C20MP12	CF/CM/CU42C	1.03	1.12	1.00
TM9E100C20MP12	CF/CM/CU48C	1.03	1.14	1.00
TM9E100C20MP12	CF/CM/CU48D	1.03	1.14	1.00
TM9E100C20MP12	CF/CM36D	1.03	1.15	1.00
TM9E100C20MP12	CF/CM42D	1.03	1.12	1.00
TM9E120D20MP12	CF/CM/CU48D	1.03	1.14	1.00
TM9E120D20MP12	CF/CM36D	1.03	1.14	1.00
TM9E120D20MP12	CF/CM42D	1.03	1.13	1.00
TM9V080C16MP11C	CF/CM/CU36C	1.03	1.07	1.02
TM9V080C16MP11C	CF/CM/CU42C	1.03	1.05	1.00
TM9V080C16MP11C	CF/CM/CU48C	1.03	1.06	1.00
TM9V080C16MP11C	CF/CM/CU48D	1.03	1.06	1.00
TM9V080C16MP11C	CF/CM36D	1.03	1.07	1.00
TM9V080C16MP11C	CF/CM42D	1.03	1.05	1.00

FURNACE MULTIPLIERS- 3 TON (Continued)

Furnaces	Coil	T.C.	S.C.	KW
TM9V080C16MP12C	CF/CM/CU36C	1.03	1.07	1.02
TM9V080C16MP12C	CF/CM/CU42C	1.03	1.05	1.00
TM9V080C16MP12C	CF/CM/CU48C	1.03	1.06	1.00
TM9V080C16MP12C	CF/CM/CU48D	1.03	1.06	1.00
TM9V080C16MP12C	CF/CM36D	1.03	1.07	1.00
TM9V080C16MP12C	CF/CM42D	1.03	1.05	1.00
TM9Y060B12MP11	CF/CM/CU36B	1.03	1.10	1.02
TP9C080C16MP13C	CF/CM/CU36C	1.03	1.07	1.02
TP9C080C16MP13C	CF/CM/CU42C	1.03	1.05	1.00
TP9C080C16MP13C	CF/CM/CU48C	1.03	1.06	1.00
TP9C080C16MP13C	CF/CM/CU48D	1.03	1.06	1.00
TP9C080C16MP13C	CF/CM36D	1.03	1.07	1.00
TP9C080C16MP13C	CF/CM42D	1.03	1.05	1.00
YP9C080C16MP13C	CF/CM/CU36C	1.03	1.07	1.02
YP9C080C16MP13C	CF/CM/CU42C	1.03	1.05	1.00
YP9C080C16MP13C	CF/CM/CU48C	1.03	1.06	1.00
YP9C080C16MP13C	CF/CM/CU48D	1.03	1.06	1.00
YP9C080C16MP13C	CF/CM36D	1.03	1.07	1.00
YP9C080C16MP13C	CF/CM42D	1.03	1.05	1.00

PERFORMANCE DATA - 3 TON 460 Volt

CONDENSER-ONLY DATA (OUTDOOR UNIT)																		
MODEL	SATURATED SUCTION @ COMPRESSOR		Outdoor Ambient Temperature															
			55 °F		65 °F		75 °F		85 °F		95 °F		105 °F		115 °F		125 °F	
	T (°F)	P (PSIG)	MBH	KW	MBH	KW	MBH	KW	MBH	KW	MBH	KW	MBH	KW	MBH	KW	MBH	KW
TCD36B42S	35	107	35.3	2.07	33.6	2.30	31.8	2.55	29.9	2.84	27.9	3.15	25.8	3.52	23.6	3.94	21.2	4.42
	40	118	39.0	2.06	37.1	2.29	35.1	2.54	33.1	2.82	31.0	3.13	28.8	3.50	26.4	3.92	24.0	4.38
	45	130	42.9	2.05	40.8	2.29	38.7	2.54	36.5	2.82	34.3	3.12	31.9	3.48	29.5	3.90	26.9	4.35
	50	142	47.0	2.06	44.7	2.29	42.5	2.54	40.1	2.81	37.7	3.12	35.3	3.47	32.7	3.88	29.9	4.33
	55	156	51.3	2.07	48.9	2.30	46.4	2.55	44.0	2.82	41.4	3.12	38.8	3.47	36.0	3.87	33.1	4.30

Notes:

- For Outdoor Unit (Condenser) performance only. Data does not include the effects of air handler power or heat.
- Performance based on 15°F subcooling and 15°F superheat at the Outdoor Unit base valves.
 - Increase capacity by 1% for each 2°F increase in subcooling.
 - Decrease capacity by 1% for each 2°F decrease in subcooling.
- Maximum recommended condensing temperature is 140°F.

COOLING PERFORMANCE DATA																
OUTDOOR UNIT MODEL NO.		TCD36B42S														
INDOOR COIL MODEL NO.		CF36BXA1														
AIR TEMP. ENTERING OUTDOOR UNIT (°F)	ID CFM	1000					1200					1400				
	ID DB (°F)	80	80	75	80	80	80	80	75	80	80	80	80	75	80	80
	ID WB (°F)	57	62	62	67	72	57	62	62	67	72	57	62	62	67	72
55	T.C.	34.1	37.4	37.7	39.0	40.2	32.6	38.1	38.4	39.7	40.3	31.0	38.9	39.1	40.5	40.4
	S.C.	34.1	30.8	26.3	24.8	19.1	32.6	32.9	28.0	25.9	19.5	31.0	35.0	29.8	27.1	20.0
	KW	1.92	1.92	1.92	1.93	1.94	1.99	1.99	1.99	2.00	2.01	2.06	2.06	2.06	2.07	2.09
65	T.C.	32.8	45.3	36.1	38.6	40.8	33.0	41.5	37.0	39.2	41.0	33.3	37.7	37.9	39.9	41.3
	S.C.	32.8	29.8	25.4	24.7	19.3	33.0	32.3	27.4	26.4	20.0	33.3	34.7	29.4	28.0	20.7
	KW	2.12	2.12	2.12	2.12	2.12	2.18	2.18	2.19	2.19	2.20	2.25	2.25	2.26	2.26	2.27
75	T.C.	31.6	53.1	34.6	38.2	41.4	33.5	44.8	35.6	38.8	41.7	35.5	36.6	36.7	39.3	42.1
	S.C.	31.6	28.8	24.6	24.7	19.5	33.5	31.6	26.8	26.8	20.5	35.5	34.5	29.1	28.9	21.5
	KW	2.32	2.31	2.32	2.31	2.31	2.38	2.38	2.38	2.37	2.38	2.44	2.44	2.45	2.44	2.45
85	T.C.	30.4	42.1	32.9	36.3	39.8	32.2	38.3	33.8	36.9	40.3	34.0	34.6	34.7	37.5	40.8
	S.C.	30.4	27.9	23.7	23.8	19.0	32.2	30.5	25.8	25.9	20.1	34.0	33.2	27.9	28.0	21.1
	KW	2.62	2.61	2.63	2.59	2.56	2.67	2.67	2.68	2.64	2.64	2.72	2.73	2.74	2.70	2.71
95	T.C.	29.3	31.0	31.3	34.3	38.2	30.8	31.8	32.0	35.0	38.9	32.4	32.6	32.7	35.7	39.5
	S.C.	29.3	27.1	22.8	22.9	18.4	30.8	29.5	24.7	25.0	19.6	32.4	31.9	26.7	27.1	20.8
	KW	2.92	2.91	2.95	2.87	2.82	2.96	2.96	2.98	2.92	2.89	3.00	3.01	3.02	2.96	2.96
105	T.C.	27.9	28.8	29.0	32.1	35.6	29.4	29.8	29.8	32.7	36.1	30.9	30.7	30.5	33.3	36.7
	S.C.	27.9	26.0	21.9	22.2	17.6	29.4	28.1	24.0	24.3	18.7	30.9	30.2	26.0	26.4	19.9
	KW	3.47	3.52	3.54	3.40	3.34	3.49	3.52	3.56	3.44	3.40	3.51	3.52	3.57	3.48	3.45
115	T.C.	26.5	26.7	26.8	30.1	33.1	28.0	27.8	27.6	30.5	33.5	29.4	28.9	28.5	31.0	34.0
	S.C.	26.5	25.0	21.1	21.5	16.7	28.0	26.8	23.2	23.6	17.8	29.4	28.7	25.4	25.7	18.9
	KW	4.00	4.12	4.12	3.91	3.83	4.01	4.07	4.11	3.95	3.88	4.01	4.02	4.11	3.99	3.93
125	T.C.	25.2	24.6	24.6	28.0	30.5	26.6	25.8	25.5	28.3	30.9	27.9	27.1	26.4	28.6	31.3
	S.C.	25.2	24.0	20.2	20.7	15.8	26.6	25.5	22.5	22.9	16.9	27.9	27.1	24.8	25.0	18.0
	KW	4.54	4.71	4.69	4.42	4.33	4.52	4.61	4.67	4.46	4.37	4.50	4.52	4.64	4.50	4.41

ALL CAPACITIES INCLUDE INDOOR FAN HEAT. KW VALUES ARE FOR THE SYSTEM (OUTDOOR + INDOOR).

Green shaded cells are ACCA (TVA) conditions.

Blue shaded cells are AHRI conditions.

Multipliers for determining the performance with other indoor sections.

NOTE: For dry bulb temperatures different than those listed (between 73-87 °F), sensible capacity increases by 1060 BTUH per 1000 CFM per degree above the listed temperature and decreases by 1060 BTUH per 1000 CFM per degree below the listed temperature.

COIL MULTIPLIERS- 3 TON

Air Handler	Coil	T.C.	S.C.	KW
-	CF/CM/CU36B	1.00	1.00	1.00
-	CF/CM/CU36C	1.00	1.00	1.00
-	CF/CM/CU36D	1.00	1.00	1.00
-	CF/CM/CU42C	1.03	1.02	1.03
-	CF/CM/CU42D	1.03	1.02	1.03
-	CF/CM/CU48C	1.03	1.02	1.03
-	CF/CM/CU48D	1.03	1.02	1.03
-	CF42B	1.03	1.02	1.03
AE36BX21	-	1.03	0.96	1.01
AE36CX21	-	1.03	1.04	0.97
AE42CX21	-	1.03	1.02	0.99
AE48CX21	-	1.03	1.04	0.97
AE48DX21	-	1.03	1.03	0.97
AP36BX21	-	1.01	0.94	1.01
AP36CX21	-	1.03	1.03	1.03
AP42CX21	-	1.03	1.04	1.03
AP48CX21	-	1.03	1.02	1.03
AP48DX21	-	1.03	1.06	1.03
AVC36BX21	-	1.03	0.96	1.01
AVC36CX21	-	1.03	1.02	0.97
AVC42CX21	-	1.03	1.01	0.97
AVC48CX21	-	1.03	0.98	0.97
AVC48DX21	-	1.03	1.07	0.97
ME12BN21	CF/CM36B	1.03	0.96	1.01
ME12BN21	CF42B	1.03	0.96	1.01
ME14DN21	CF/CM36D	1.03	1.05	0.97
ME14DN21	CF/CM42D	1.03	1.04	0.97
ME14DN21	CF/CM48D	1.03	1.02	0.97
ME16CN21	CF/CM36C	1.03	1.04	0.97
ME16CN21	CF/CM42C	1.03	1.03	0.97
ME16CN21	CF/CM48C	1.03	1.03	0.97
ME20DN21	CF/CM36D	1.03	1.07	1.01
ME20DN21	CF/CM42D	1.03	1.07	1.01
ME20DN21	CF/CM48D	1.03	1.06	1.01
ME12BN41	CF/CM36B	0.99	1.06	0.99
ME12CN41	CF/CM36C	0.99	1.14	0.97
ME12CN41	CF/CM42C	0.99	1.15	0.97
ME12CN41	CF/CM48C	0.99	1.15	0.97
ME14DN41	CF/CM36D	0.99	1.05	0.95
ME14DN41	CF/CM42D	0.99	1.04	0.95
ME14DN41	CF/CM48D	0.99	1.05	0.95
ME16CN41	CF/CM36C	0.99	1.08	0.95
ME16CN41	CF/CM42C	0.99	1.08	0.95
ME16CN41	CF/CM48C	0.99	1.08	0.95
ME20DN41	CF/CM36D	0.99	1.14	0.99
ME20DN41	CF/CM42D	0.99	1.15	0.99
ME20DN41	CF/CM48D	0.99	1.16	0.99
MVC08BN21	CF42B	1.03	0.96	1.01
MVC12BN21	CF/CM36B	1.03	0.96	1.01
MVC12BN21	CF42B	1.03	0.96	1.01
MVC14DN21	CF/CM36D	1.03	0.94	0.99
MVC14DN21	CF/CM42D	1.03	1.05	0.97
MVC14DN21	CF/CM48D	1.03	1.01	0.97
MVC16CN21	CF/CM36C	1.03	0.99	0.97
MVC16CN21	CF/CM42C	1.03	1.06	0.99

COIL MULTIPLIERS- 3 TON

Air Handler	Coil	T.C.	S.C.	KW
MVC16CN21	CF/CM48C	1.03	1.02	0.97
MVC20DN21	CF/CM36D	1.03	1.00	0.97
MVC20DN21	CF/CM42D	1.03	1.02	0.99
MVC20DN21	CF/CM48D	1.03	1.02	0.97

FURNACE MULTIPLIERS- 3 TON

Furnaces	Coil	T.C.	S.C.	KW
TL8E060A12UH11	CF/CM/CU36B	1.03	1.07	1.05
TL8E060A12UH11	CF42B	1.03	1.05	1.02
TL8E080C16UH11	CF/CM/CU36C	1.03	1.10	1.00
TL8E080C16UH11	CF/CM/CU42C	1.03	1.09	1.00
TL8E080C16UH11	CF/CM/CU48C	1.03	1.10	1.00
TL8E080C16UH11	CF/CM/CU48D	1.03	1.10	1.00
TL8E080C16UH11	CF/CM36D	1.03	1.10	1.02
TL8E080C16UH11	CF/CM42D	1.03	1.09	1.02
TL8E100C20UH11	CF/CM/CU36C	1.03	1.08	0.98
TL8E100C20UH11	CF/CM/CU42C	1.03	1.06	0.98
TL8E100C20UH11	CF/CM/CU48C	1.03	1.08	0.98
TL8E100C20UH11	CF/CM/CU48D	1.03	1.08	0.98
TL8E100C20UH11	CF/CM36D	1.03	1.08	1.00
TL8E100C20UH11	CF/CM42D	1.03	1.06	0.98
TL9E060B12UH11	CF/CM/CU36B	1.03	1.08	1.05
TL9E060B12UH11	CF/CM/CU36C	1.03	1.08	1.05
TL9E060B12UH11	CF/CM/CU42C	1.03	1.07	1.05
TL9E060B12UH11	CF/CM/CU48C	1.03	1.08	1.05
TL9E060B12UH11	CF42B	1.03	1.05	1.02
TL9E080C16UH11	CF/CM/CU36C	1.03	1.09	1.02
TL9E080C16UH11	CF/CM/CU42C	1.03	1.07	1.02
TL9E080C16UH11	CF/CM/CU48C	1.03	1.09	1.00
TL9E080C16UH11	CF/CM/CU48D	1.03	1.09	1.02
TL9E080C16UH11	CF/CM36D	1.03	1.10	1.02
TL9E080C16UH11	CF/CM42D	1.03	1.08	1.02
TL9E100C20UH11	CF/CM/CU36C	1.03	1.10	1.00
TL9E100C20UH11	CF/CM/CU42C	1.03	1.09	0.98
TL9E100C20UH11	CF/CM/CU48C	1.03	1.10	0.98
TL9E100C20UH11	CF/CM/CU48D	1.03	1.10	1.00
TL9E100C20UH11	CF/CM36D	1.03	1.11	1.00
TL9E100C20UH11	CF/CM42D	1.03	1.10	1.00
TM8E060A12MP11	CF/CM/CU36B	1.03	1.07	1.02
TM8E060A12MP11	CF42B	1.03	1.05	1.02
TM8E080B12MP11	CF/CM/CU36B	1.03	1.07	1.02
TM8E080B12MP11	CF/CM/CU36C	1.03	1.08	1.02
TM8E080B12MP11	CF/CM/CU42C	1.03	1.07	1.02
TM8E080B12MP11	CF/CM/CU48C	1.03	1.07	1.02
TM8E080B12MP11	CF42B	1.03	1.05	1.02
TM8E080C16MP11	CF/CM/CU36C	1.03	1.10	1.00
TM8E080C16MP11	CF/CM/CU42C	1.03	1.08	1.00
TM8E080C16MP11	CF/CM/CU48C	1.03	1.09	0.98
TM8E080C16MP11	CF/CM/CU48D	1.03	1.09	1.00
TM8E080C16MP11	CF/CM36D	1.03	1.10	1.00
TM8E080C16MP11	CF/CM42D	1.03	1.09	1.00
TM8E080C20MP11	CF/CM/CU36C	1.03	1.14	1.00
TM8E080C20MP11	CF/CM/CU42C	1.03	1.13	1.00
TM8E080C20MP11	CF/CM/CU48C	1.03	1.14	1.00
TM8E080C20MP11	CF/CM/CU48D	1.03	1.15	1.00

FURNACE MULTIPLIERS- 3 TON (Continued)

Furnaces	Coil	T.C.	S.C.	KW
TM8E080C20MP11	CF/CM36D	1.03	1.16	1.00
TM8E080C20MP11	CF/CM42D	1.03	1.14	1.00
TM8E100B12MP11	CF/CM/CU36B	1.03	1.09	1.02
TM8E100B12MP11	CF/CM/CU36C	1.03	1.10	1.02
TM8E100B12MP11	CF/CM/CU42C	1.03	1.08	1.02
TM8E100B12MP11	CF/CM/CU48C	1.03	1.08	1.02
TM8E100B12MP11	CF42B	1.03	1.07	1.02
TM8E100C16MP11	CF/CM/CU36C	1.03	1.10	1.00
TM8E100C16MP11	CF/CM/CU42C	1.03	1.09	1.00
TM8E100C16MP11	CF/CM/CU48C	1.03	1.10	1.00
TM8E100C16MP11	CF/CM/CU48D	1.03	1.10	1.00
TM8E100C16MP11	CF/CM36D	1.03	1.10	1.02
TM8E100C16MP11	CF/CM42D	1.03	1.09	1.00
TM8E100C20MP11	CF/CM/CU36C	1.03	1.14	1.00
TM8E100C20MP11	CF/CM/CU42C	1.03	1.13	1.00
TM8E100C20MP11	CF/CM/CU48C	1.03	1.14	1.00
TM8E100C20MP11	CF/CM/CU48D	1.03	1.15	1.00
TM8E100C20MP11	CF/CM36D	1.03	1.16	1.00
TM8E100C20MP11	CF/CM42D	1.03	1.14	1.00
TM8E120C16MP11	CF/CM/CU36C	1.03	1.10	1.00
TM8E120C16MP11	CF/CM/CU42C	1.03	1.09	1.00
TM8E120C16MP11	CF/CM/CU48C	1.03	1.10	1.00
TM8E120C16MP11	CF/CM/CU48D	1.03	1.10	1.00
TM8E120C16MP11	CF/CM36D	1.03	1.10	1.02
TM8E120C16MP11	CF/CM42D	1.03	1.09	1.00
TM8E120C20MP11	CF/CM/CU36C	1.03	1.16	1.00
TM8E120C20MP11	CF/CM/CU42C	1.03	1.14	1.00
TM8E120C20MP11	CF/CM/CU48C	1.03	1.15	1.00
TM8E120C20MP11	CF/CM/CU48D	1.03	1.15	1.00
TM8E120C20MP11	CF/CM36D	1.03	1.12	1.02
TM8E120C20MP11	CF/CM42D	1.03	1.15	1.02
TM8E130D20MP11	CF/CM/CU48D	1.03	1.15	1.00
TM8E130D20MP11	CF/CM36D	1.03	1.12	1.02
TM8E130D20MP11	CF/CM42D	1.03	1.15	1.00
TM9E060A10MP12	CF/CM/CU36B	1.02	1.07	1.04
TM9E060A10MP12	CF42B	1.03	1.05	1.05
TM9E060B12MP12	CF/CM/CU36B	1.03	1.09	1.05
TM9E060B12MP12	CF/CM/CU36C	1.03	1.10	1.05
TM9E060B12MP12	CF/CM/CU42C	1.03	1.08	1.05
TM9E060B12MP12	CF/CM/CU48C	1.03	1.09	1.05
TM9E060B12MP12	CF42B	1.03	1.07	1.05
TM9E080B12MP12	CF/CM/CU36B	1.03	1.07	1.02
TM9E080B12MP12	CF/CM/CU36C	1.03	1.09	1.02
TM9E080B12MP12	CF/CM/CU42C	1.03	1.07	1.02
TM9E080B12MP12	CF/CM/CU48C	1.03	1.09	1.02
TM9E080B12MP12	CF42B	1.03	1.05	1.02
TM9E080C16MP12	CF/CM/CU36C	1.03	1.09	1.02
TM9E080C16MP12	CF/CM/CU42C	1.03	1.07	1.02
TM9E080C16MP12	CF/CM/CU48C	1.03	1.09	1.00
TM9E080C16MP12	CF/CM/CU48D	1.03	1.09	1.02
TM9E080C16MP12	CF/CM36D	1.03	1.10	1.02
TM9E080C16MP12	CF/CM42D	1.03	1.08	1.02
TM9E080C20MP12	CF/CM/CU36C	1.03	1.15	1.00
TM9E080C20MP12	CF/CM/CU42C	1.03	1.12	1.00
TM9E080C20MP12	CF/CM/CU48C	1.03	1.14	1.00
TM9E080C20MP12	CF/CM/CU48D	1.03	1.14	1.00
TM9E080C20MP12	CF/CM36D	1.03	1.15	1.00
TM9E080C20MP12	CF/CM42D	1.03	1.14	1.00
TM9E080C20MP12	CF/CM/CU36B	1.03	1.09	1.02
TM9E080C20MP12	CF/CM/CU36C	1.03	1.10	1.02
TM9E080C20MP12	CF/CM/CU42C	1.03	1.08	1.02
TM9E080C20MP12	CF/CM/CU48C	1.03	1.08	1.02
TM9E080C20MP12	CF42B	1.03	1.07	1.02
TM9E080C20MP12	CF/CM/CU36C	1.03	1.10	1.00

FURNACE MULTIPLIERS- 3 TON (Continued)

Furnaces	Coil	T.C.	S.C.	KW
TM9E080C20MP12	CF/CM/CU48D	1.03	1.14	1.00
TM9E080C20MP12	CF/CM36D	1.03	1.14	1.00
TM9E080C20MP12	CF/CM42D	1.03	1.13	1.00
TM9E100C16MP12	CF/CM/CU36C	1.03	1.09	1.00
TM9E100C16MP12	CF/CM/CU42C	1.03	1.07	1.00
TM9E100C16MP12	CF/CM/CU48C	1.03	1.09	1.00
TM9E100C16MP12	CF/CM/CU48D	1.03	1.09	1.00
TM9E100C16MP12	CF/CM36D	1.03	1.09	1.02
TM9E100C16MP12	CF/CM42D	1.03	1.07	1.02
TM9E100C20MP12	CF/CM/CU36C	1.03	1.15	1.00
TM9E100C20MP12	CF/CM/CU42C	1.03	1.12	1.00
TM9E100C20MP12	CF/CM/CU48C	1.03	1.14	1.00
TM9E100C20MP12	CF/CM/CU48D	1.03	1.14	1.00
TM9E100C20MP12	CF/CM36D	1.03	1.15	1.00
TM9E100C20MP12	CF/CM42D	1.03	1.12	1.00
TM9E120D20MP12	CF/CM/CU48D	1.03	1.14	1.00
TM9E120D20MP12	CF/CM36D	1.03	1.14	1.00
TM9E120D20MP12	CF/CM42D	1.03	1.13	1.00
TM9V080C16MP11C	CF/CM/CU36C	1.03	1.07	1.02
TM9V080C16MP11C	CF/CM/CU42C	1.03	1.05	1.00
TM9V080C16MP11C	CF/CM/CU48C	1.03	1.06	1.00
TM9V080C16MP11C	CF/CM/CU48D	1.03	1.06	1.00
TM9V080C16MP11C	CF/CM36D	1.03	1.07	1.00
TM9V080C16MP11C	CF/CM42D	1.03	1.05	1.00
TM9V080C16MP12C	CF/CM/CU36C	1.03	1.07	1.02
TM9V080C16MP12C	CF/CM/CU42C	1.03	1.05	1.00
TM9V080C16MP12C	CF/CM/CU48C	1.03	1.06	1.00
TM9V080C16MP12C	CF/CM/CU48D	1.03	1.06	1.00
TM9V080C16MP12C	CF/CM36D	1.03	1.07	1.00
TM9V080C16MP12C	CF/CM42D	1.03	1.05	1.00
TMLE060A12MP11	CF/CM/CU36B	1.03	1.07	1.02
TMLE060A12MP11	CF42B	1.03	1.05	1.02
TMLE080B12MP11	CF/CM/CU36B	1.03	1.07	1.02
TMLE080B12MP11	CF/CM/CU36C	1.03	1.08	1.02
TMLE080B12MP11	CF/CM/CU42C	1.03	1.07	1.02
TMLE080B12MP11	CF/CM/CU48C	1.03	1.07	1.02
TMLE080B12MP11	CF42B	1.03	1.05	1.02
TMLE080C16MP11	CF/CM/CU36C	1.03	1.10	1.00
TMLE080C16MP11	CF/CM/CU42C	1.03	1.08	1.00
TMLE080C16MP11	CF/CM/CU48C	1.03	1.09	0.98
TMLE080C16MP11	CF/CM/CU48D	1.03	1.09	1.00
TMLE080C16MP11	CF/CM36D	1.03	1.10	1.00
TMLE080C16MP11	CF/CM42D	1.03	1.09	1.00
TMLE080C20MP11	CF/CM/CU36C	1.03	1.14	1.00
TMLE080C20MP11	CF/CM/CU42C	1.03	1.13	1.00
TMLE080C20MP11	CF/CM/CU48C	1.03	1.14	1.00
TMLE080C20MP11	CF/CM/CU48D	1.03	1.15	1.00
TMLE080C20MP11	CF/CM36D	1.03	1.16	1.00
TMLE080C20MP11	CF/CM42D	1.03	1.14	1.00
TMLE100B12MP11	CF/CM/CU36B	1.03	1.09	1.02
TMLE100B12MP11	CF/CM/CU36C	1.03	1.10	1.02
TMLE100B12MP11	CF/CM/CU42C	1.03	1.08	1.02
TMLE100B12MP11	CF/CM/CU48C	1.03	1.08	1.02
TMLE100B12MP11	CF42B	1.03	1.07	1.02
TMLE100C16MP11	CF/CM/CU36C	1.03	1.10	1.00

FURNACE MULTIPLIERS- 3 TON (Continued)

Furnaces	Coil	T.C.	S.C.	KW
TMLE100C16MP11	CF/CM/CU42C	1.03	1.09	1.00
TMLE100C16MP11	CF/CM/CU48C	1.03	1.10	1.00
TMLE100C16MP11	CF/CM/CU48D	1.03	1.10	1.00
TMLE100C16MP11	CF/CM36D	1.03	1.10	1.02
TMLE100C16MP11	CF/CM42D	1.03	1.09	1.00
TMLE100C20MP11	CF/CM/CU36C	1.03	1.14	1.00
TMLE100C20MP11	CF/CM/CU42C	1.03	1.13	1.00
TMLE100C20MP11	CF/CM/CU48C	1.03	1.14	1.00
TMLE100C20MP11	CF/CM/CU48D	1.03	1.15	1.00
TMLE100C20MP11	CF/CM36D	1.03	1.16	1.00
TMLE100C20MP11	CF/CM42D	1.03	1.14	1.00
TMLE120C16MP11	CF/CM/CU36C	1.03	1.10	1.00
TMLE120C16MP11	CF/CM/CU42C	1.03	1.09	1.00
TMLE120C16MP11	CF/CM/CU48C	1.03	1.10	1.00
TMLE120C16MP11	CF/CM/CU48D	1.03	1.10	1.00
TMLE120C16MP11	CF/CM36D	1.03	1.10	1.02
TMLE120C16MP11	CF/CM42D	1.03	1.09	1.00
TMLE120C20MP11	CF/CM/CU36C	1.03	1.16	1.00
TMLE120C20MP11	CF/CM/CU42C	1.03	1.14	1.00
TMLE120C20MP11	CF/CM/CU48C	1.03	1.15	1.00

FURNACE MULTIPLIERS- 3 TON (Continued)

Furnaces	Coil	T.C.	S.C.	KW
TMLE120C20MP11	CF/CM/CU48D	1.03	1.15	1.00
TMLE120C20MP11	CF/CM36D	1.03	1.12	1.02
TMLE120C20MP11	CF/CM42D	1.03	1.15	1.02
TMLE130D20MP11	CF/CM/CU48D	1.03	1.15	1.00
TMLE130D20MP11	CF/CM36D	1.03	1.12	1.02
TMLE130D20MP11	CF/CM42D	1.03	1.15	1.00
TP9C080C16MP13C	CF/CM/CU36C	1.03	1.07	1.02
TP9C080C16MP13C	CF/CM/CU42C	1.03	1.05	1.00
TP9C080C16MP13C	CF/CM/CU48C	1.03	1.06	1.00
TP9C080C16MP13C	CF/CM/CU48D	1.03	1.06	1.00
TP9C080C16MP13C	CF/CM36D	1.03	1.07	1.00
TP9C080C16MP13C	CF/CM42D	1.03	1.05	1.00
YP9C080C16MP13C	CF/CM/CU36C	1.03	1.07	1.02
YP9C080C16MP13C	CF/CM/CU42C	1.03	1.05	1.00
YP9C080C16MP13C	CF/CM/CU48C	1.03	1.06	1.00
YP9C080C16MP13C	CF/CM/CU48D	1.03	1.06	1.00
YP9C080C16MP13C	CF/CM36D	1.03	1.07	1.00
YP9C080C16MP13C	CF/CM42D	1.03	1.05	1.00

PERFORMANCE DATA - 3 TON 575 Volt

CONDENSER-ONLY DATA (OUTDOOR UNIT)																		
MODEL	SATURATED SUCTION @ COMPRESSOR		Outdoor Ambient Temperature															
			55 °F		65 °F		75 °F		85 °F		95 °F		105 °F		115 °F		125 °F	
	T (°F)	P (PSIG)	MBH	KW	MBH	KW	MBH	KW	MBH	KW	MBH	KW	MBH	KW	MBH	KW	MBH	KW
TCD36B52S	35	107	35.4	2.09	33.6	2.32	31.8	2.57	29.9	2.86	27.9	3.17	25.8	3.54	23.6	3.96	21.2	4.44
	40	118	39.0	2.08	37.1	2.31	35.1	2.56	33.1	2.84	31.0	3.15	28.8	3.52	26.4	3.94	24.0	4.40
	45	130	42.9	2.07	40.8	2.31	38.7	2.56	36.5	2.83	34.3	3.14	31.9	3.50	29.5	3.92	26.9	4.37
	50	142	47.0	2.07	44.8	2.31	42.5	2.56	40.2	2.83	37.7	3.13	35.3	3.49	32.7	3.90	29.9	4.34
	55	156	51.4	2.09	48.9	2.32	46.5	2.57	44.0	2.84	41.4	3.13	38.8	3.49	36.0	3.89	33.1	4.32

Notes:

- For Outdoor Unit (Condenser) performance only. Data does not include the effects of air handler power or heat.
- Performance based on 15°F subcooling and 15°F superheat at the Outdoor Unit base valves.
 - Increase capacity by 1% for each 2°F increase in subcooling.
 - Decrease capacity by 1% for each 2°F decrease in subcooling.
- Maximum recommended condensing temperature is 140°F.

COOLING PERFORMANCE DATA																
OUTDOOR UNIT MODEL NO.		TCD36B52S														
INDOOR COIL MODEL NO.		CF36BXA1														
AIR TEMP. ENTERING OUTDOOR UNIT (°F)	ID CFM	1000					1200					1400				
	ID DB (°F)	80	80	75	80	80	80	80	75	80	80	80	80	75	80	80
	ID WB (°F)	57	62	62	67	72	57	62	62	67	72	57	62	62	67	72
55	T.C.	34.1	37.4	37.7	39.0	40.2	32.6	38.1	38.4	39.7	40.3	31.0	38.9	39.1	40.5	40.4
	S.C.	34.1	30.8	26.3	24.8	19.1	32.6	32.9	28.0	25.9	19.5	31.0	35.0	29.8	27.1	20.0
	KW	1.92	1.92	1.92	1.93	1.94	1.99	1.99	1.99	2.00	2.01	2.06	2.06	2.06	2.07	2.09
65	T.C.	32.8	45.3	36.1	38.6	40.8	33.0	41.5	37.0	39.2	41.0	33.3	37.7	37.9	39.9	41.3
	S.C.	32.8	29.8	25.4	24.7	19.3	33.0	32.3	27.4	26.4	20.0	33.3	34.7	29.4	28.0	20.7
	KW	2.12	2.12	2.12	2.12	2.12	2.18	2.18	2.19	2.19	2.20	2.25	2.25	2.26	2.26	2.27
75	T.C.	31.6	53.1	34.6	38.2	41.4	33.5	44.8	35.6	38.8	41.7	35.5	36.6	36.7	39.3	42.1
	S.C.	31.6	28.8	24.6	24.7	19.5	33.5	31.6	26.8	26.8	20.5	35.5	34.5	29.1	28.9	21.5
	KW	2.32	2.31	2.32	2.31	2.31	2.38	2.38	2.38	2.37	2.38	2.44	2.44	2.45	2.44	2.45
85	T.C.	30.4	42.1	32.9	36.3	39.8	32.2	38.3	33.8	36.9	40.3	34.0	34.6	34.7	37.5	40.8
	S.C.	30.4	27.9	23.7	23.8	19.0	32.2	30.5	25.8	25.9	20.1	34.0	33.2	27.9	28.0	21.1
	KW	2.62	2.61	2.63	2.59	2.56	2.67	2.67	2.68	2.64	2.64	2.72	2.73	2.74	2.70	2.71
95	T.C.	29.3	31.0	31.3	34.3	38.2	30.8	31.8	32.0	35.0	38.9	32.4	32.6	32.7	35.7	39.5
	S.C.	29.3	27.1	22.8	22.9	18.4	30.8	29.5	24.7	25.0	19.6	32.4	31.9	26.7	27.1	20.8
	KW	2.92	2.91	2.95	2.87	2.82	2.96	2.96	2.98	2.92	2.89	3.00	3.01	3.02	2.96	2.96
105	T.C.	27.9	28.8	29.0	32.1	35.6	29.4	29.8	29.8	32.7	36.1	30.9	30.7	30.5	33.3	36.7
	S.C.	27.9	26.0	21.9	22.2	17.6	29.4	28.1	24.0	24.3	18.7	30.9	30.2	26.0	26.4	19.9
	KW	3.47	3.52	3.54	3.40	3.34	3.49	3.52	3.56	3.44	3.40	3.51	3.52	3.57	3.48	3.45
115	T.C.	26.5	26.7	26.8	30.1	33.1	28.0	27.8	27.6	30.5	33.5	29.4	28.9	28.5	31.0	34.0
	S.C.	26.5	25.0	21.1	21.5	16.7	28.0	26.8	23.2	23.6	17.8	29.4	28.7	25.4	25.7	18.9
	KW	4.00	4.12	4.12	3.91	3.83	4.01	4.07	4.11	3.95	3.88	4.01	4.02	4.11	3.99	3.93
125	T.C.	25.2	24.6	24.6	28.0	30.5	26.6	25.8	25.5	28.3	30.9	27.9	27.1	26.4	28.6	31.3
	S.C.	25.2	24.0	20.2	20.7	15.8	26.6	25.5	22.5	22.9	16.9	27.9	27.1	24.8	25.0	18.0
	KW	4.54	4.71	4.69	4.42	4.33	4.52	4.61	4.67	4.46	4.37	4.50	4.52	4.64	4.50	4.41

ALL CAPACITIES INCLUDE INDOOR FAN HEAT. KW VALUES ARE FOR THE SYSTEM (OUTDOOR + INDOOR).

Green shaded cells are ACCA (TVA) conditions.

Blue shaded cells are AHRI conditions.

Multipliers for determining the performance with other indoor sections.

NOTE: For dry bulb temperatures different than those listed (between 73-87 °F), sensible capacity increases by 1060 BTUH per 1000 CFM per degree above the listed temperature and decreases by 1060 BTUH per 1000 CFM per degree below the listed temperature.

COIL MULTIPLIERS- 3 TON

Air Handler	Coil	T.C.	S.C.	KW
-	CF/CM/CU36B	1.00	1.00	1.00
-	CF/CM/CU36C	1.00	1.00	1.00
-	CF/CM/CU36D	1.00	1.00	1.00
-	CF/CM/CU42C	1.03	1.02	1.03
-	CF/CM/CU42D	1.03	1.02	1.03
-	CF/CM/CU48C	1.03	1.02	1.03
-	CF/CM/CU48D	1.03	1.02	1.03
-	CF42B	1.03	1.02	1.03
AE36BX21	-	1.03	0.96	1.01
AE36CX21	-	1.03	1.04	0.97
AE42CX21	-	1.03	1.02	0.99
AE48CX21	-	1.03	1.04	0.97
AE48DX21	-	1.03	1.03	0.97
AP36BX21	-	1.01	0.94	1.01
AP36CX21	-	1.03	1.03	1.03
AP42CX21	-	1.03	1.04	1.03
AP48CX21	-	1.03	1.02	1.03
AP48DX21	-	1.03	1.06	1.03
AVC36BX21	-	1.03	0.96	1.01
AVC36CX21	-	1.03	1.02	0.97
AVC42CX21	-	1.03	1.01	0.97
AVC48CX21	-	1.03	0.98	0.97
AVC48DX21	-	1.03	1.07	0.97
ME12BN21	CF/CM36B	1.03	0.96	1.01
ME12BN21	CF42B	1.03	0.96	1.01
ME14DN21	CF/CM36D	1.03	1.05	0.97
ME14DN21	CF/CM42D	1.03	1.04	0.97
ME14DN21	CF/CM48D	1.03	1.02	0.97
ME16CN21	CF/CM36C	1.03	1.04	0.97
ME16CN21	CF/CM42C	1.03	1.03	0.97
ME16CN21	CF/CM48C	1.03	1.03	0.97
ME20DN21	CF/CM36D	1.03	1.07	1.01
ME20DN21	CF/CM42D	1.03	1.07	1.01
ME20DN21	CF/CM48D	1.03	1.06	1.01
MVC08BN21	CF42B	1.03	0.96	1.01
MVC12BN21	CF/CM36B	1.03	0.96	1.01
MVC12BN21	CF42B	1.03	0.96	1.01
MVC14DN21	CF/CM36D	1.03	0.94	0.99
MVC14DN21	CF/CM42D	1.03	1.05	0.97
MVC14DN21	CF/CM48D	1.03	1.01	0.97
MVC16CN21	CF/CM36C	1.03	0.99	0.97
MVC16CN21	CF/CM42C	1.03	1.06	0.99
MVC16CN21	CF/CM48C	1.03	1.02	0.97
MVC20DN21	CF/CM36D	1.03	1.00	0.97
MVC20DN21	CF/CM42D	1.03	1.02	0.99
MVC20DN21	CF/CM48D	1.03	1.02	0.97

FURNACE MULTIPLIERS- 3 TON

Furnaces	Coil	T.C.	S.C.	KW
TL8E060A12UH11	CF/CM/CU36B	1.03	1.07	1.05
TL8E060A12UH11	CF42B	1.03	1.05	1.02
TL8E080C16UH11	CF/CM/CU36C	1.03	1.10	1.00
TL8E080C16UH11	CF/CM/CU42C	1.03	1.09	1.00
TL8E080C16UH11	CF/CM/CU48C	1.03	1.10	1.00
TL8E080C16UH11	CF/CM/CU48D	1.03	1.10	1.00
TL8E080C16UH11	CF/CM36D	1.03	1.10	1.02
TL8E080C16UH11	CF/CM42D	1.03	1.09	1.02
TL8E100C20UH11	CF/CM/CU36C	1.03	1.08	0.98
TL8E100C20UH11	CF/CM/CU42C	1.03	1.06	0.98
TL8E100C20UH11	CF/CM/CU48C	1.03	1.08	0.98
TL8E100C20UH11	CF/CM/CU48D	1.03	1.08	0.98
TL8E100C20UH11	CF/CM36D	1.03	1.08	1.00
TL8E100C20UH11	CF/CM42D	1.03	1.06	0.98
TL9E060B12UH11	CF/CM/CU36B	1.03	1.08	1.05
TL9E060B12UH11	CF/CM/CU36C	1.03	1.08	1.05
TL9E060B12UH11	CF/CM/CU42C	1.03	1.07	1.05
TL9E060B12UH11	CF/CM/CU48C	1.03	1.08	1.05
TL9E060B12UH11	CF42B	1.03	1.05	1.02
TL9E080C16UH11	CF/CM/CU36C	1.03	1.09	1.02
TL9E080C16UH11	CF/CM/CU42C	1.03	1.07	1.02
TL9E080C16UH11	CF/CM/CU48C	1.03	1.09	1.00
TL9E080C16UH11	CF/CM/CU48D	1.03	1.09	1.02
TL9E080C16UH11	CF/CM36D	1.03	1.10	1.02
TL9E080C16UH11	CF/CM42D	1.03	1.08	1.02
TL9E100C20UH11	CF/CM/CU36C	1.03	1.10	1.00
TL9E100C20UH11	CF/CM/CU42C	1.03	1.09	0.98
TL9E100C20UH11	CF/CM/CU48C	1.03	1.10	0.98
TL9E100C20UH11	CF/CM/CU48D	1.03	1.10	1.00
TL9E100C20UH11	CF/CM36D	1.03	1.11	1.00
TL9E100C20UH11	CF/CM42D	1.03	1.10	1.00
TM8E060A12MP11	CF/CM/CU36B	1.03	1.07	1.02
TM8E060A12MP11	CF42B	1.03	1.05	1.02
TM8E080B12MP11	CF/CM/CU36B	1.03	1.07	1.02
TM8E080B12MP11	CF/CM/CU36C	1.03	1.08	1.02
TM8E080B12MP11	CF/CM/CU42C	1.03	1.07	1.02
TM8E080B12MP11	CF/CM/CU48C	1.03	1.07	1.02
TM8E080B12MP11	CF42B	1.03	1.05	1.02
TM8E080C16MP11	CF/CM/CU36C	1.03	1.10	1.00
TM8E080C16MP11	CF/CM/CU42C	1.03	1.08	1.00
TM8E080C16MP11	CF/CM/CU48C	1.03	1.09	0.98
TM8E080C16MP11	CF/CM/CU48D	1.03	1.09	1.00
TM8E080C16MP11	CF/CM36D	1.03	1.10	1.00
TM8E080C16MP11	CF/CM42D	1.03	1.09	1.00
TM8E080C20MP11	CF/CM/CU36C	1.03	1.14	1.00
TM8E080C20MP11	CF/CM/CU42C	1.03	1.13	1.00
TM8E080C20MP11	CF/CM/CU48C	1.03	1.14	1.00
TM8E080C20MP11	CF/CM/CU48D	1.03	1.15	1.00
TM8E080C20MP11	CF/CM36D	1.03	1.16	1.00
TM8E080C20MP11	CF/CM42D	1.03	1.14	1.00
TM8E100B12MP11	CF/CM/CU36B	1.03	1.09	1.02
TM8E100B12MP11	CF/CM/CU36C	1.03	1.10	1.02
TM8E100B12MP11	CF/CM/CU42C	1.03	1.08	1.02
TM8E100B12MP11	CF/CM/CU48C	1.03	1.08	1.02
TM8E100B12MP11	CF42B	1.03	1.07	1.02

FURNACE MULTIPLIERS- 3 TON (Continued)

Furnaces	Coil	T.C.	S.C.	KW
TM8E100C16MP11	CF/CM/CU36C	1.03	1.10	1.00
TM8E100C16MP11	CF/CM/CU42C	1.03	1.09	1.00
TM8E100C16MP11	CF/CM/CU48C	1.03	1.10	1.00
TM8E100C16MP11	CF/CM/CU48D	1.03	1.10	1.00
TM8E100C16MP11	CF/CM36D	1.03	1.10	1.02
TM8E100C16MP11	CF/CM42D	1.03	1.09	1.00
TM8E100C20MP11	CF/CM/CU36C	1.03	1.14	1.00
TM8E100C20MP11	CF/CM/CU42C	1.03	1.13	1.00
TM8E100C20MP11	CF/CM/CU48C	1.03	1.14	1.00
TM8E100C20MP11	CF/CM/CU48D	1.03	1.15	1.00
TM8E100C20MP11	CF/CM36D	1.03	1.16	1.00
TM8E100C20MP11	CF/CM42D	1.03	1.14	1.00
TM8E120C16MP11	CF/CM/CU36C	1.03	1.10	1.00
TM8E120C16MP11	CF/CM/CU42C	1.03	1.09	1.00
TM8E120C16MP11	CF/CM/CU48C	1.03	1.10	1.00
TM8E120C16MP11	CF/CM/CU48D	1.03	1.10	1.00
TM8E120C16MP11	CF/CM36D	1.03	1.10	1.02
TM8E120C16MP11	CF/CM42D	1.03	1.09	1.00
TM8E120C20MP11	CF/CM/CU36C	1.03	1.16	1.00
TM8E120C20MP11	CF/CM/CU42C	1.03	1.14	1.00
TM8E120C20MP11	CF/CM/CU48C	1.03	1.15	1.00
TM8E120C20MP11	CF/CM/CU48D	1.03	1.15	1.00
TM8E120C20MP11	CF/CM36D	1.03	1.12	1.02
TM8E120C20MP11	CF/CM42D	1.03	1.15	1.02
TM8E130D20MP11	CF/CM/CU48D	1.03	1.15	1.00
TM8E130D20MP11	CF/CM36D	1.03	1.12	1.02
TM8E130D20MP11	CF/CM42D	1.03	1.15	1.00
TM9E060A10MP12	CF/CM/CU36B	1.02	1.07	1.04
TM9E060A10MP12	CF42B	1.03	1.05	1.05
TM9E060B12MP12	CF/CM/CU36B	1.03	1.09	1.05
TM9E060B12MP12	CF/CM/CU36C	1.03	1.10	1.05
TM9E060B12MP12	CF/CM/CU42C	1.03	1.08	1.05
TM9E060B12MP12	CF/CM/CU48C	1.03	1.09	1.05
TM9E060B12MP12	CF42B	1.03	1.07	1.05
TM9E080B12MP12	CF/CM/CU36B	1.03	1.07	1.02
TM9E080B12MP12	CF/CM/CU36C	1.03	1.09	1.02
TM9E080B12MP12	CF/CM/CU42C	1.03	1.07	1.02
TM9E080B12MP12	CF/CM/CU48C	1.03	1.09	1.02
TM9E080B12MP12	CF42B	1.03	1.05	1.02
TM9E080C16MP12	CF/CM/CU36C	1.03	1.09	1.02
TM9E080C16MP12	CF/CM/CU42C	1.03	1.07	1.02
TM9E080C16MP12	CF/CM/CU48C	1.03	1.09	1.00
TM9E080C16MP12	CF/CM/CU48D	1.03	1.09	1.02
TM9E080C16MP12	CF/CM36D	1.03	1.10	1.02
TM9E080C16MP12	CF/CM42D	1.03	1.08	1.02
TM9E080C20MP12	CF/CM/CU36C	1.03	1.15	1.00
TM9E080C20MP12	CF/CM/CU42C	1.03	1.12	1.00
TM9E080C20MP12	CF/CM/CU48C	1.03	1.14	1.00
TM9E080C20MP12	CF/CM/CU48D	1.03	1.14	1.00
TM9E080C20MP12	CF/CM36D	1.03	1.14	1.00
TM9E080C20MP12	CF/CM42D	1.03	1.13	1.00
TM9E100C16MP12	CF/CM/CU36C	1.03	1.09	1.00
TM9E100C16MP12	CF/CM/CU42C	1.03	1.07	1.00
TM9E100C16MP12	CF/CM/CU48C	1.03	1.09	1.00
TM9E100C16MP12	CF/CM/CU48D	1.03	1.09	1.00

FURNACE MULTIPLIERS- 3 TON (Continued)

Furnaces	Coil	T.C.	S.C.	KW
TM9E100C16MP12	CF/CM36D	1.03	1.09	1.02
TM9E100C16MP12	CF/CM42D	1.03	1.07	1.02
TM9E100C20MP12	CF/CM/CU36C	1.03	1.15	1.00
TM9E100C20MP12	CF/CM/CU42C	1.03	1.12	1.00
TM9E100C20MP12	CF/CM/CU48C	1.03	1.14	1.00
TM9E100C20MP12	CF/CM/CU48D	1.03	1.14	1.00
TM9E100C20MP12	CF/CM36D	1.03	1.15	1.00
TM9E100C20MP12	CF/CM42D	1.03	1.12	1.00
TM9E120D20MP12	CF/CM/CU48D	1.03	1.14	1.00
TM9E120D20MP12	CF/CM36D	1.03	1.14	1.00
TM9E120D20MP12	CF/CM42D	1.03	1.13	1.00
TM9V080C16MP11C	CF/CM/CU36C	1.03	1.07	1.02
TM9V080C16MP11C	CF/CM/CU42C	1.03	1.05	1.00
TM9V080C16MP11C	CF/CM/CU48C	1.03	1.06	1.00
TM9V080C16MP11C	CF/CM/CU48D	1.03	1.06	1.00
TM9V080C16MP11C	CF/CM36D	1.03	1.07	1.00
TM9V080C16MP11C	CF/CM42D	1.03	1.05	1.00
TM9V080C16MP12C	CF/CM/CU36C	1.03	1.07	1.02
TM9V080C16MP12C	CF/CM/CU42C	1.03	1.05	1.00
TM9V080C16MP12C	CF/CM/CU48C	1.03	1.06	1.00
TM9V080C16MP12C	CF/CM/CU48D	1.03	1.06	1.00
TM9V080C16MP12C	CF/CM36D	1.03	1.07	1.00
TM9V080C16MP12C	CF/CM42D	1.03	1.05	1.00
TMLE060A12MP11	CF/CM/CU36B	1.03	1.07	1.02
TMLE060A12MP11	CF42B	1.03	1.05	1.02
TMLE080B12MP11	CF/CM/CU36B	1.03	1.07	1.02
TMLE080B12MP11	CF/CM/CU36C	1.03	1.08	1.02
TMLE080B12MP11	CF/CM/CU42C	1.03	1.07	1.02
TMLE080B12MP11	CF/CM/CU48C	1.03	1.07	1.02
TMLE080B12MP11	CF42B	1.03	1.05	1.02
TMLE080C16MP11	CF/CM/CU36C	1.03	1.10	1.00
TMLE080C16MP11	CF/CM/CU42C	1.03	1.08	1.00
TMLE080C16MP11	CF/CM/CU48C	1.03	1.09	0.98
TMLE080C16MP11	CF/CM/CU48D	1.03	1.09	1.00
TMLE080C16MP11	CF/CM36D	1.03	1.10	1.00
TMLE080C16MP11	CF/CM42D	1.03	1.09	1.00
TMLE080C20MP11	CF/CM/CU36C	1.03	1.14	1.00
TMLE080C20MP11	CF/CM/CU42C	1.03	1.13	1.00
TMLE080C20MP11	CF/CM/CU48C	1.03	1.14	1.00
TMLE080C20MP11	CF/CM/CU48D	1.03	1.15	1.00
TMLE080C20MP11	CF/CM36D	1.03	1.16	1.00
TMLE080C20MP11	CF/CM42D	1.03	1.14	1.00
TMLE100B12MP11	CF/CM/CU36B	1.03	1.09	1.02
TMLE100B12MP11	CF/CM/CU36C	1.03	1.10	1.02
TMLE100B12MP11	CF/CM/CU42C	1.03	1.08	1.02
TMLE100B12MP11	CF/CM/CU48C	1.03	1.08	1.02
TMLE100B12MP11	CF42B	1.03	1.07	1.02
TMLE100C16MP11	CF/CM/CU36C	1.03	1.10	1.00
TMLE100C16MP11	CF/CM/CU42C	1.03	1.09	1.00
TMLE100C16MP11	CF/CM/CU48C	1.03	1.10	1.00
TMLE100C16MP11	CF/CM/CU48D	1.03	1.10	1.00
TMLE100C16MP11	CF/CM36D	1.03	1.10	1.02
TMLE100C16MP11	CF/CM42D	1.03	1.09	1.00
TMLE100C20MP11	CF/CM/CU36C	1.03	1.14	1.00
TMLE100C20MP11	CF/CM/CU42C	1.03	1.13	1.00

FURNACE MULTIPLIERS- 3 TON (Continued)

Furnaces	Coil	T.C.	S.C.	KW
TMLE100C20MP11	CF/CM/CU48C	1.03	1.14	1.00
TMLE100C20MP11	CF/CM/CU48D	1.03	1.15	1.00
TMLE100C20MP11	CF/CM36D	1.03	1.16	1.00
TMLE100C20MP11	CF/CM42D	1.03	1.14	1.00
TMLE120C16MP11	CF/CM/CU36C	1.03	1.10	1.00
TMLE120C16MP11	CF/CM/CU42C	1.03	1.09	1.00
TMLE120C16MP11	CF/CM/CU48C	1.03	1.10	1.00
TMLE120C16MP11	CF/CM/CU48D	1.03	1.10	1.00
TMLE120C16MP11	CF/CM36D	1.03	1.10	1.02
TMLE120C16MP11	CF/CM42D	1.03	1.09	1.00
TMLE120C20MP11	CF/CM/CU36C	1.03	1.16	1.00
TMLE120C20MP11	CF/CM/CU42C	1.03	1.14	1.00
TMLE120C20MP11	CF/CM/CU48C	1.03	1.15	1.00
TMLE120C20MP11	CF/CM/CU48D	1.03	1.15	1.00
TMLE120C20MP11	CF/CM36D	1.03	1.12	1.02
TMLE120C20MP11	CF/CM42D	1.03	1.15	1.02
TMLE130D20MP11	CF/CM/CU48D	1.03	1.15	1.00

FURNACE MULTIPLIERS- 3 TON (Continued)

Furnaces	Coil	T.C.	S.C.	KW
TMLE130D20MP11	CF/CM36D	1.03	1.12	1.02
TMLE130D20MP11	CF/CM42D	1.03	1.15	1.00
TP9C080C16MP13C	CF/CM/CU36C	1.03	1.07	1.02
TP9C080C16MP13C	CF/CM/CU42C	1.03	1.05	1.00
TP9C080C16MP13C	CF/CM/CU48C	1.03	1.06	1.00
TP9C080C16MP13C	CF/CM/CU48D	1.03	1.06	1.00
TP9C080C16MP13C	CF/CM36D	1.03	1.07	1.00
TP9C080C16MP13C	CF/CM42D	1.03	1.05	1.00
YP9C080C16MP13C	CF/CM/CU36C	1.03	1.07	1.02
YP9C080C16MP13C	CF/CM/CU42C	1.03	1.05	1.00
YP9C080C16MP13C	CF/CM/CU48C	1.03	1.06	1.00
YP9C080C16MP13C	CF/CM/CU48D	1.03	1.06	1.00
YP9C080C16MP13C	CF/CM36D	1.03	1.07	1.00
YP9C080C16MP13C	CF/CM42D	1.03	1.05	1.00

PERFORMANCE DATA - 3.5 TON 230 Volt

CONDENSER-ONLY DATA (OUTDOOR UNIT)																		
MODEL	SATURATED SUCTION @ COMPRESSOR		Outdoor Ambient Temperature															
			55 °F		65 °F		75 °F		85 °F		95 °F		105 °F		115 °F		125 °F	
	T (°F)	P (PSIG)	MBH	KW	MBH	KW	MBH	KW	MBH	KW	MBH	KW	MBH	KW	MBH	KW	MBH	KW
TCD42B32S	35	107	39.3	2.42	37.5	2.64	35.6	2.90	33.5	3.21	31.3	3.57	29.1	3.98	26.9	4.44	24.7	4.95
	40	118	43.3	2.42	41.4	2.63	39.2	2.89	37.0	3.19	34.6	3.54	32.2	3.96	29.8	4.42	27.4	4.92
	45	130	47.6	2.41	45.4	2.61	43.1	2.87	40.7	3.17	38.1	3.52	35.5	3.93	32.9	4.40	30.3	4.90
	50	142	52.1	2.39	49.8	2.59	47.3	2.84	44.6	3.14	41.9	3.48	39.1	3.90	36.2	4.36	33.4	4.86
	55	156	56.9	2.38	54.4	2.57	51.6	2.82	48.8	3.11	45.8	3.45	42.8	3.86	39.8	4.32	36.7	4.82

Notes:

- For Outdoor Unit (Condenser) performance only. Data does not include the effects of air handler power or heat.
- Performance based on 15°F subcooling and 15°F superheat at the Outdoor Unit base valves.
 - Increase capacity by 1% for each 2°F increase in subcooling.
 - Decrease capacity by 1% for each 2°F decrease in subcooling.
- Maximum recommended condensing temperature is 140°F.

COOLING PERFORMANCE DATA																
OUTDOOR UNIT MODEL NO.		TCD42B32S														
INDOOR COIL MODEL NO.		CF42CXA1														
AIR TEMP. ENTERING OUTDOOR UNIT (°F)	AIR CFM	1200					1400					1600				
	ID DB (°F)	80	80	75	80	80	80	80	75	80	80	80	80	75	80	80
	ID WB (°F)	57	62	62	67	72	57	62	62	67	72	57	62	62	67	72
55	T.C.	38.7	42.0	41.9	44.4	45.5	39.0	42.0	41.7	44.0	45.0	39.3	42.0	41.6	43.7	44.5
	S.C.	36.8	35.3	30.3	29.0	22.7	37.1	36.0	31.1	29.4	22.9	37.4	36.6	31.9	29.8	23.1
	KW	2.22	2.22	2.22	2.23	2.23	2.28	2.29	2.29	2.30	2.31	2.34	2.36	2.36	2.38	2.38
65	T.C.	37.8	40.7	40.5	43.5	46.1	38.5	40.9	40.7	43.6	45.8	39.1	41.1	40.9	43.7	45.5
	S.C.	36.0	35.0	29.9	29.2	23.1	36.6	36.2	31.2	30.2	23.6	37.2	37.4	32.6	31.2	24.0
	KW	2.43	2.44	2.43	2.45	2.44	2.50	2.51	2.50	2.52	2.52	2.56	2.58	2.57	2.59	2.60
75	T.C.	36.9	39.3	39.0	42.6	46.7	37.9	39.8	39.6	43.2	46.6	38.9	40.3	40.3	43.8	46.6
	S.C.	35.1	34.6	29.5	29.4	23.5	36.1	36.4	31.4	31.0	24.2	37.0	38.3	33.3	32.6	25.0
	KW	2.65	2.67	2.64	2.67	2.65	2.71	2.73	2.71	2.74	2.73	2.77	2.79	2.78	2.81	2.81
85	T.C.	35.9	37.7	37.4	41.0	45.2	36.8	38.2	38.1	41.6	45.3	37.7	38.7	38.7	42.2	45.4
	S.C.	34.1	33.7	28.8	28.7	23.0	35.0	35.3	30.7	30.5	24.0	35.8	36.8	32.6	32.3	25.1
	KW	2.95	2.98	2.95	2.97	2.94	3.01	3.03	3.01	3.03	3.01	3.06	3.09	3.07	3.10	3.09
95	T.C.	34.8	36.1	35.8	39.4	43.7	35.6	36.7	36.5	40.0	44.0	36.4	37.2	37.1	40.6	44.3
	S.C.	33.1	32.8	28.1	28.0	22.5	33.9	34.1	30.0	30.0	23.8	34.6	35.4	31.9	32.0	25.2
	KW	3.26	3.29	3.25	3.28	3.22	3.31	3.34	3.31	3.33	3.29	3.35	3.39	3.36	3.39	3.36
105	T.C.	32.6	33.8	33.3	37.0	41.0	33.6	34.4	34.0	37.6	41.3	34.5	35.1	34.6	38.1	41.7
	S.C.	31.0	31.1	26.8	27.0	21.5	31.9	32.2	28.7	29.0	22.9	32.8	33.3	30.7	31.0	24.3
	KW	3.90	3.88	3.91	3.81	3.73	3.87	3.88	3.89	3.84	3.78	3.84	3.88	3.87	3.88	3.84
115	T.C.	30.5	31.6	30.9	34.7	38.4	31.6	32.2	31.5	35.2	38.8	32.6	32.9	32.2	35.7	39.2
	S.C.	29.0	29.5	25.5	26.0	20.6	30.0	30.4	27.5	28.0	22.1	31.0	31.3	29.5	30.0	23.5
	KW	4.53	4.45	4.54	4.32	4.23	4.42	4.40	4.45	4.34	4.26	4.31	4.35	4.37	4.35	4.29
125	T.C.	28.4	29.3	28.4	32.3	35.7	29.6	30.1	29.1	32.8	36.2	30.7	30.8	29.8	33.3	36.7
	S.C.	27.0	27.9	24.2	25.0	19.7	28.1	28.6	26.3	27.0	21.2	29.2	29.3	28.3	29.1	22.7
	KW	5.16	5.03	5.17	4.83	4.73	4.98	4.93	5.02	4.83	4.74	4.79	4.83	4.87	4.83	4.75

ALL CAPACITIES INCLUDE INDOOR FAN HEAT. KW VALUES ARE FOR THE SYSTEM (OUTDOOR + INDOOR).

Green shaded cells are ACCA (TVA) conditions.

Blue shaded cells are AHRI conditions.

Multipliers for determining the performance with other indoor sections.

NOTE: For dry bulb temperatures different than those listed (between 73-87 °F), sensible capacity increases by 1060 BTUH per 1000 CFM per degree above the listed temperature and decreases by 1060 BTUH per 1000 CFM per degree below the listed temperature.

COIL MULTIPLIERS- 3.5 TON

Air Handler	Coil	T.C.	S.C.	KW
-	CF/CM/CU42C	1.00	1.00	1.00
-	CF/CM/CU42D	1.00	1.00	1.00
-	CF/CM/CU48C	1.01	1.07	1.01
-	CF/CM/CU48D	1.01	1.07	1.01
-	CF/CM/CU60C	1.03	1.08	1.03
-	CF/CM/CU60D	1.03	1.08	1.03
-	CF/CM64D	1.04	1.08	1.04
-	CF42B	0.96	0.97	0.96
AE42CX21	-	1.04	1.10	1.02
AE48CX21	-	1.03	1.02	0.98
AE48DX21	-	1.03	1.03	0.98
AE60CX21	-	1.05	1.12	1.03
AE60DX21	-	1.05	1.12	1.01
AP42CX21	-	1.00	1.00	1.00
AP48CX21	-	1.01	1.03	1.01
AP48DX21	-	1.01	1.05	1.01
AP60DX22	-	1.03	1.07	1.03
AVC42CX21	-	1.03	1.03	1.00
AVC48CX21	-	1.01	1.02	0.99
AVC48DX21	-	1.04	1.07	1.00
AVC60CX21	-	1.04	1.05	1.02
AVC60DX21	-	1.04	1.02	1.00
ME14DN21	CF/CM42D	1.04	1.10	1.00
ME14DN21	CF/CM48D	1.04	1.10	1.02
ME14DN21	CF/CM60D	1.04	1.03	0.98
ME14DN21	CF/CM64D	1.05	1.10	1.03
ME16CN21	CF/CM42C	1.03	1.10	1.00
ME16CN21	CF/CM48C	1.03	1.02	0.98
ME16CN21	CF/CM60C	1.04	1.03	0.98
ME20DN21	CF/CM42D	1.04	1.12	1.02
ME20DN21	CF/CM48D	1.05	1.13	1.01
ME20DN21	CF/CM60D	1.05	1.10	1.01
ME20DN21	CF/CM64D	1.05	1.10	1.01
MVC12BN21	CF42B	1.00	0.97	1.00
MVC14DN21	CF/CM42D	1.04	1.08	1.02
MVC14DN21	CF/CM48D	1.04	1.07	1.00
MVC14DN21	CF/CM60D	1.03	1.03	0.98
MVC16CN21	CF/CM42C	1.03	1.03	0.98
MVC16CN21	CF/CM48C	1.03	1.05	0.98
MVC20DN21	CF/CM42D	1.01	1.02	0.99
MVC20DN21	CF/CM48D	1.04	1.07	1.00
MVC20DN21	CF/CM60D	1.04	1.05	0.98

FURNACE MULTIPLIERS- 3.5 TON

Furnaces	Coil	T.C.	S.C.	KW
TL8E080C16UH11	CF/CM/CU42C	1.01	1.04	1.01
TL8E080C16UH11	CF/CM/CU48C	1.03	1.04	1.02
TL8E080C16UH11	CF/CM/CU48D	1.03	1.05	1.02
TL8E080C16UH11	CF/CM/CU60C	1.01	1.02	1.01
TL8E080C16UH11	CF/CM/CU60D	1.03	1.05	1.02
TL8E080C16UH11	CF/CM42D	1.01	1.05	1.01
TL8E080C16UH11	CF/CM64D	1.05	1.07	1.05
TL8E100C20UH11	CF/CM/CU42C	1.01	1.03	1.01
TL8E100C20UH11	CF/CM/CU48C	1.03	1.03	1.00
TL8E100C20UH11	CF/CM/CU48D	1.03	1.04	1.02
TL8E100C20UH11	CF/CM/CU60C	1.01	1.01	1.01
TL8E100C20UH11	CF/CM/CU60D	1.04	1.05	1.01
TL8E100C20UH11	CF/CM42D	1.03	1.05	1.02
TL8E100C20UH11	CF/CM64D	1.05	1.06	1.02
TL9E060B12UH11	CF/CM/CU42C	1.00	1.00	1.04
TL9E060B12UH11	CF/CM/CU48C	1.01	1.01	1.05
TL9E060B12UH11	CF/CM/CU60C	1.00	0.99	1.04
TL9E080C16UH11	CF/CM/CU42C	1.01	1.03	1.01
TL9E080C16UH11	CF/CM/CU48C	1.03	1.03	1.02
TL9E080C16UH11	CF/CM/CU48D	1.03	1.04	1.02
TL9E080C16UH11	CF/CM/CU60C	1.01	1.01	1.01
TL9E080C16UH11	CF/CM/CU60D	1.03	1.04	1.02
TL9E080C16UH11	CF/CM42D	1.01	1.04	1.01
TL9E080C16UH11	CF/CM64D	1.04	1.05	1.03
TL9E100C20UH11	CF/CM/CU42C	1.01	1.01	1.01
TL9E100C20UH11	CF/CM/CU48C	1.03	1.03	1.02
TL9E100C20UH11	CF/CM/CU48D	1.03	1.03	1.02
TL9E100C20UH11	CF/CM/CU60C	1.01	1.00	1.01
TL9E100C20UH11	CF/CM/CU60D	1.03	1.04	1.00
TL9E100C20UH11	CF/CM42D	1.01	1.03	1.01
TL9E100C20UH11	CF/CM64D	1.04	1.03	1.01
TM8E080B12MP11	CF/CM/CU42C	1.00	1.02	1.02
TM8E080B12MP11	CF/CM/CU48C	1.01	1.01	1.03
TM8E080B12MP11	CF/CM/CU60C	1.00	1.00	1.02
TM8E080C16MP11	CF/CM/CU42C	1.01	1.04	1.01
TM8E080C16MP11	CF/CM/CU48C	1.03	1.04	1.02
TM8E080C16MP11	CF/CM/CU48D	1.03	1.05	1.02
TM8E080C16MP11	CF/CM/CU60C	1.01	1.02	1.01
TM8E080C16MP11	CF/CM/CU60D	1.03	1.05	1.02
TM8E080C16MP11	CF/CM42D	1.03	1.06	1.02
TM8E080C16MP11	CF/CM64D	1.05	1.07	1.05
TM8E080C20MP11	CF/CM/CU42C	1.01	1.03	1.01
TM8E080C20MP11	CF/CM/CU48C	1.03	1.03	1.02
TM8E080C20MP11	CF/CM/CU48D	1.03	1.04	1.02
TM8E080C20MP11	CF/CM/CU60C	1.01	1.01	1.01
TM8E080C20MP11	CF/CM/CU60D	1.04	1.05	1.01
TM8E080C20MP11	CF/CM42D	1.03	1.05	1.00
TM8E080C20MP11	CF/CM64D	1.05	1.06	1.02
TM8E100B12MP11	CF/CM/CU42C	1.01	1.03	1.03
TM8E100B12MP11	CF/CM/CU48C	1.01	1.01	1.01
TM8E100B12MP11	CF/CM/CU60C	1.00	1.00	1.02
TM8E100C16MP11	CF/CM/CU42C	1.01	1.05	1.01
TM8E100C16MP11	CF/CM/CU48C	1.03	1.05	1.02
TM8E100C16MP11	CF/CM/CU48D	1.03	1.05	1.02
TM8E100C16MP11	CF/CM/CU60C	1.01	1.03	1.01

FURNACE MULTIPLIERS- 3.5 TON (Continued)

Furnaces	Coil	T.C.	S.C.	KW
TM8E100C16MP11	CF/CM/CU60D	1.04	1.08	1.03
TM8E100C16MP11	CF/CM42D	1.03	1.05	1.02
TM8E100C16MP11	CF/CM64D	1.05	1.09	1.05
TM8E100C20MP11	CF/CM/CU42C	1.01	1.03	1.01
TM8E100C20MP11	CF/CM/CU48C	1.03	1.03	1.02
TM8E100C20MP11	CF/CM/CU48D	1.03	1.04	1.02
TM8E100C20MP11	CF/CM/CU60C	1.01	1.01	1.01
TM8E100C20MP11	CF/CM/CU60D	1.04	1.06	1.01
TM8E100C20MP11	CF/CM42D	1.03	1.05	1.02
TM8E100C20MP11	CF/CM64D	1.05	1.06	1.02
TM8E120C16MP11	CF/CM/CU42C	1.01	1.05	1.01
TM8E120C16MP11	CF/CM/CU48C	1.03	1.05	1.02
TM8E120C16MP11	CF/CM/CU48D	1.03	1.05	1.02
TM8E120C16MP11	CF/CM/CU60C	1.01	1.03	1.01
TM8E120C16MP11	CF/CM/CU60D	1.04	1.08	1.03
TM8E120C16MP11	CF/CM42D	1.03	1.05	1.02
TM8E120C16MP11	CF/CM64D	1.05	1.09	1.05
TM8E120C20MP11	CF/CM/CU42C	1.01	1.04	1.01
TM8E120C20MP11	CF/CM/CU48C	1.03	1.05	1.02
TM8E120C20MP11	CF/CM/CU48D	1.03	1.05	1.02
TM8E120C20MP11	CF/CM/CU60C	1.01	1.01	1.01
TM8E120C20MP11	CF/CM/CU60D	1.04	1.08	1.01
TM8E120C20MP11	CF/CM42D	1.03	1.06	1.02
TM8E120C20MP11	CF/CM64D	1.05	1.07	1.02
TM8E130D20MP11	CF/CM/CU48D	1.04	1.05	1.03
TM8E130D20MP11	CF/CM/CU60D	1.04	1.07	1.01
TM8E130D20MP11	CF/CM42D	1.03	1.06	1.02
TM8E130D20MP11	CF/CM64D	1.05	1.07	1.02
TM9E060B12MP12	CF/CM/CU42C	1.00	1.00	1.04
TM9E060B12MP12	CF/CM/CU48C	1.01	1.01	1.05
TM9E060B12MP12	CF/CM/CU60C	1.00	0.99	1.04
TM9E080B12MP12	CF/CM/CU42C	1.00	1.02	1.02
TM9E080B12MP12	CF/CM/CU48C	1.01	1.01	1.03
TM9E080B12MP12	CF/CM/CU60C	1.00	1.00	1.02
TM9E080C16MP12	CF/CM/CU42C	1.01	1.04	1.01
TM9E080C16MP12	CF/CM/CU48C	1.03	1.04	1.02
TM9E080C16MP12	CF/CM/CU48D	1.03	1.04	1.02
TM9E080C16MP12	CF/CM/CU60C	1.01	1.02	1.01
TM9E080C16MP12	CF/CM/CU60D	1.03	1.04	1.02
TM9E080C16MP12	CF/CM42D	1.01	1.04	1.01
TM9E080C16MP12	CF/CM64D	1.04	1.05	1.03
TM9E080C20MP12	CF/CM/CU42C	1.01	1.01	1.01
TM9E080C20MP12	CF/CM/CU48C	1.03	1.03	1.02
TM9E080C20MP12	CF/CM/CU48D	1.03	1.03	1.02
TM9E080C20MP12	CF/CM/CU60C	1.01	1.00	1.01
TM9E080C20MP12	CF/CM/CU60D	1.03	1.04	1.00
TM9E080C20MP12	CF/CM42D	1.01	1.03	1.01
TM9E080C20MP12	CF/CM64D	1.05	1.06	1.02
TM9E100C16MP12	CF/CM/CU42C	1.01	1.04	1.01
TM9E100C16MP12	CF/CM/CU48C	1.03	1.04	1.02
TM9E100C16MP12	CF/CM/CU48D	1.03	1.05	1.02
TM9E100C16MP12	CF/CM/CU60C	1.01	1.02	1.01
TM9E100C16MP12	CF/CM/CU60D	1.03	1.05	1.02
TM9E100C16MP12	CF/CM42D	1.01	1.05	1.01
TM9E100C16MP12	CF/CM64D	1.04	1.05	1.03
TM9E100C16MP12	CF/CM42D	1.01	1.05	1.01
TM9E100C16MP12	CF/CM64D	1.04	1.05	1.03

FURNACE MULTIPLIERS- 3.5 TON (Continued)

Furnaces	Coil	T.C.	S.C.	KW
TM9E100C20MP12	CF/CM/CU42C	1.01	1.01	1.01
TM9E100C20MP12	CF/CM/CU48C	1.03	1.02	1.02
TM9E100C20MP12	CF/CM/CU48D	1.03	1.02	1.02
TM9E100C20MP12	CF/CM/CU60C	1.01	1.00	1.01
TM9E100C20MP12	CF/CM/CU60D	1.03	1.04	1.00
TM9E100C20MP12	CF/CM42D	1.01	1.01	1.01
TM9E100C20MP12	CF/CM64D	1.04	1.03	1.01
TM9E120D20MP12	CF/CM/CU48D	1.03	1.03	1.02
TM9E120D20MP12	CF/CM/CU60D	1.03	1.04	1.00
TM9E120D20MP12	CF/CM42D	1.01	1.03	1.01
TM9E120D20MP12	CF/CM64D	1.05	1.06	1.02
TM9V080C16MP11C	CF/CM/CU42C	1.01	1.01	1.01
TM9V080C16MP11C	CF/CM/CU48C	1.01	1.01	1.01
TM9V080C16MP11C	CF/CM/CU48D	1.01	1.01	1.01
TM9V080C16MP11C	CF/CM/CU60C	1.01	1.00	1.01
TM9V080C16MP11C	CF/CM/CU60D	1.01	1.01	1.01
TM9V080C16MP11C	CF/CM42D	1.01	1.01	1.01
TM9V080C16MP11C	CF/CM64D	1.04	1.03	1.03
TM9V080C16MP12C	CF/CM/CU42C	1.01	1.01	1.01
TM9V080C16MP12C	CF/CM/CU48C	1.01	1.01	1.01
TM9V080C16MP12C	CF/CM/CU48D	1.01	1.01	1.01
TM9V080C16MP12C	CF/CM/CU60C	1.01	1.00	1.01
TM9V080C16MP12C	CF/CM/CU60D	1.01	1.01	1.01
TM9V080C16MP12C	CF/CM42D	1.01	1.01	1.01
TM9V080C16MP12C	CF/CM64D	1.04	1.03	1.03
TMLE080B12MP11	CF/CM/CU42C	1.00	1.02	1.02
TMLE080B12MP11	CF/CM/CU48C	1.01	1.01	1.03
TMLE080B12MP11	CF/CM/CU60C	1.00	1.00	1.02
TMLE080C16MP11	CF/CM/CU42C	1.01	1.04	1.01
TMLE080C16MP11	CF/CM/CU48C	1.03	1.04	1.02
TMLE080C16MP11	CF/CM/CU48D	1.03	1.05	1.02
TMLE080C16MP11	CF/CM/CU60C	1.01	1.02	1.01
TMLE080C16MP11	CF/CM/CU60D	1.03	1.05	1.02
TMLE080C16MP11	CF/CM42D	1.03	1.06	1.02
TMLE080C16MP11	CF/CM64D	1.05	1.07	1.05
TMLE080C20MP11	CF/CM/CU42C	1.01	1.03	1.01
TMLE080C20MP11	CF/CM/CU48C	1.03	1.03	1.02
TMLE080C20MP11	CF/CM/CU48D	1.03	1.04	1.02
TMLE080C20MP11	CF/CM/CU60C	1.01	1.01	1.01
TMLE080C20MP11	CF/CM/CU60D	1.04	1.05	1.01
TMLE080C20MP11	CF/CM42D	1.03	1.05	1.00
TMLE080C20MP11	CF/CM64D	1.05	1.06	1.02
TMLE100B12MP11	CF/CM/CU42C	1.01	1.03	1.03
TMLE100B12MP11	CF/CM/CU48C	1.01	1.01	1.01
TMLE100B12MP11	CF/CM/CU60C	1.00	1.00	1.02
TMLE100C16MP11	CF/CM/CU42C	1.01	1.05	1.01
TMLE100C16MP11	CF/CM/CU48C	1.03	1.05	1.02
TMLE100C16MP11	CF/CM/CU48D	1.03	1.05	1.02
TMLE100C16MP11	CF/CM/CU60C	1.01	1.03	1.01
TMLE100C16MP11	CF/CM/CU60D	1.04	1.08	1.03
TMLE100C16MP11	CF/CM42D	1.03	1.05	1.02
TMLE100C16MP11	CF/CM64D	1.05	1.09	1.05
TMLE100C20MP11	CF/CM/CU42C	1.01	1.03	1.01
TMLE100C20MP11	CF/CM/CU48C	1.03	1.03	1.02
TMLE100C20MP11	CF/CM/CU48D	1.03	1.04	1.02

FURNACE MULTIPLIERS- 3.5 TON (Continued)

Furnaces	Coil	T.C.	S.C.	KW
TMLE100C20MP11	CF/CM/CU60C	1.01	1.01	1.01
TMLE100C20MP11	CF/CM/CU60D	1.04	1.06	1.01
TMLE100C20MP11	CF/CM42D	1.03	1.05	1.02
TMLE100C20MP11	CF/CM64D	1.05	1.06	1.02
TMLE120C16MP11	CF/CM/CU42C	1.01	1.05	1.01
TMLE120C16MP11	CF/CM/CU48C	1.03	1.05	1.02
TMLE120C16MP11	CF/CM/CU48D	1.03	1.05	1.02
TMLE120C16MP11	CF/CM/CU60C	1.01	1.03	1.01
TMLE120C16MP11	CF/CM/CU60D	1.04	1.08	1.03
TMLE120C16MP11	CF/CM42D	1.03	1.05	1.02
TMLE120C16MP11	CF/CM64D	1.05	1.09	1.05
TMLE120C20MP11	CF/CM/CU42C	1.01	1.04	1.01
TMLE120C20MP11	CF/CM/CU48C	1.03	1.05	1.02
TMLE120C20MP11	CF/CM/CU48D	1.03	1.05	1.02
TMLE120C20MP11	CF/CM/CU60C	1.01	1.01	1.01
TMLE120C20MP11	CF/CM/CU60D	1.04	1.08	1.01
TMLE120C20MP11	CF/CM42D	1.03	1.06	1.02
TMLE120C20MP11	CF/CM64D	1.05	1.07	1.02
TMLE130D20MP11	CF/CM/CU48D	1.04	1.05	1.03

FURNACE MULTIPLIERS- 3.5 TON (Continued)

Furnaces	Coil	T.C.	S.C.	KW
TMLE130D20MP11	CF/CM/CU60D	1.04	1.07	1.01
TMLE130D20MP11	CF/CM42D	1.03	1.06	1.02
TMLE130D20MP11	CF/CM64D	1.05	1.07	1.02
TP9C080C16MP13C	CF/CM/CU42C	1.01	1.01	1.01
TP9C080C16MP13C	CF/CM/CU48C	1.01	1.01	1.01
TP9C080C16MP13C	CF/CM/CU48D	1.01	1.01	1.01
TP9C080C16MP13C	CF/CM/CU60C	1.01	1.00	1.01
TP9C080C16MP13C	CF/CM/CU60D	1.01	1.01	1.01
TP9C080C16MP13C	CF/CM42D	1.01	1.01	1.01
TP9C080C16MP13C	CF/CM64D	1.04	1.03	1.03
YP9C080C16MP13C	CF/CM/CU42C	1.01	1.01	1.01
YP9C080C16MP13C	CF/CM/CU48C	1.01	1.01	1.01
YP9C080C16MP13C	CF/CM/CU48D	1.01	1.01	1.01
YP9C080C16MP13C	CF/CM/CU60C	1.01	1.00	1.01
YP9C080C16MP13C	CF/CM/CU60D	1.01	1.01	1.01
YP9C080C16MP13C	CF/CM42D	1.01	1.01	1.01
YP9C080C16MP13C	CF/CM64D	1.04	1.03	1.03

PERFORMANCE DATA - 3.5 TON 460 Volt

CONDENSER-ONLY DATA (OUTDOOR UNIT)																		
MODEL	SATURATED SUCTION @ COMPRESSOR		Outdoor Ambient Temperature															
			55 °F		65 °F		75 °F		85 °F		95 °F		105 °F		115 °F		125 °F	
	T (°F)	P (PSIG)	MBH	KW	MBH	KW	MBH	KW	MBH	KW	MBH	KW	MBH	KW	MBH	KW	MBH	KW
TCD42B42S	35	107	39.3	2.44	37.5	2.67	35.6	2.93	33.5	3.24	31.3	3.60	29.1	4.01	26.9	4.46	24.7	4.97
	40	118	43.3	2.44	41.4	2.65	39.2	2.91	37.0	3.22	34.6	3.57	32.2	3.98	29.8	4.45	27.4	4.95
	45	130	47.6	2.43	45.4	2.64	43.1	2.89	40.7	3.19	38.1	3.54	35.5	3.95	32.9	4.42	30.3	4.92
	50	142	52.1	2.41	49.8	2.62	47.3	2.87	44.6	3.16	41.9	3.51	39.1	3.92	36.2	4.39	33.4	4.89
	55	156	56.9	2.39	54.4	2.59	51.6	2.84	48.8	3.13	45.8	3.47	42.8	3.88	39.8	4.34	36.7	4.84

Notes:

- For Outdoor Unit (Condenser) performance only. Data does not include the effects of air handler power or heat.
- Performance based on 15°F subcooling and 15°F superheat at the Outdoor Unit base valves.
 - Increase capacity by 1% for each 2°F increase in subcooling.
 - Decrease capacity by 1% for each 2°F decrease in subcooling.
- Maximum recommended condensing temperature is 140°F.

COOLING PERFORMANCE DATA																			
OUTDOOR UNIT MODEL NO.		TCD42B42S																	
INDOOR COIL MODEL NO.		CF42CXA1																	
AIR TEMP. ENTERING OUTDOOR UNIT (°F)	AIR CFM	1200						1400						1600					
	ID DB (°F)	80	80	75	80	80	80	80	75	80	80	80	80	75	80	80			
	ID WB (°F)	57	62	62	67	72	57	62	62	67	72	57	62	62	67	72			
55	T.C.	38.7	42.0	41.9	44.4	45.5	39.0	42.0	41.7	44.0	45.0	39.3	42.0	41.6	43.7	44.5			
	S.C.	36.8	35.3	30.3	29.0	22.7	37.1	36.0	31.1	29.4	22.9	37.4	36.6	31.9	29.8	23.1			
	KW	2.22	2.22	2.22	2.23	2.23	2.28	2.29	2.29	2.30	2.31	2.34	2.36	2.36	2.38	2.38			
65	T.C.	37.8	40.7	40.5	43.5	46.1	38.5	40.9	40.7	43.6	45.8	39.1	41.1	40.9	43.7	45.5			
	S.C.	36.0	35.0	29.9	29.2	23.1	36.6	36.2	31.2	30.2	23.6	37.2	37.4	32.6	31.2	24.0			
	KW	2.43	2.44	2.43	2.45	2.44	2.50	2.51	2.50	2.52	2.52	2.56	2.58	2.57	2.59	2.60			
75	T.C.	36.9	39.3	39.0	42.6	46.7	37.9	39.8	39.6	43.2	46.6	38.9	40.3	40.3	43.8	46.6			
	S.C.	35.1	34.6	29.5	29.4	23.5	36.1	36.4	31.4	31.0	24.2	37.0	38.3	33.3	32.6	25.0			
	KW	2.65	2.67	2.64	2.67	2.65	2.71	2.73	2.71	2.74	2.73	2.77	2.79	2.78	2.81	2.81			
85	T.C.	35.9	37.7	37.4	41.0	45.2	36.8	38.2	38.1	41.6	45.3	37.7	38.7	38.7	42.2	45.4			
	S.C.	34.1	33.7	28.8	28.7	23.0	35.0	35.3	30.7	30.5	24.0	35.8	36.8	32.6	32.3	25.1			
	KW	2.95	2.98	2.95	2.97	2.94	3.01	3.03	3.01	3.03	3.01	3.06	3.09	3.07	3.10	3.09			
95	T.C.	34.8	36.1	35.8	39.4	43.7	35.6	36.7	36.5	40.0	44.0	36.4	37.2	37.1	40.6	44.3			
	S.C.	33.1	32.8	28.1	28.0	22.5	33.9	34.1	30.0	30.0	23.8	34.6	35.4	31.9	32.0	25.2			
	KW	3.26	3.29	3.25	3.28	3.22	3.31	3.34	3.31	3.33	3.29	3.35	3.39	3.36	3.39	3.36			
105	T.C.	32.6	33.8	33.3	37.0	41.0	33.6	34.4	34.0	37.6	41.3	34.5	35.1	34.6	38.1	41.7			
	S.C.	31.0	31.1	26.8	27.0	21.5	31.9	32.2	28.7	29.0	22.9	32.8	33.3	30.7	31.0	24.3			
	KW	3.90	3.88	3.91	3.81	3.73	3.87	3.88	3.89	3.84	3.78	3.84	3.88	3.87	3.88	3.84			
115	T.C.	30.5	31.6	30.9	34.7	38.4	31.6	32.2	31.5	35.2	38.8	32.6	32.9	32.2	35.7	39.2			
	S.C.	29.0	29.5	25.5	26.0	20.6	30.0	30.4	27.5	28.0	22.1	31.0	31.3	29.5	30.0	23.5			
	KW	4.53	4.45	4.54	4.32	4.23	4.42	4.40	4.45	4.34	4.26	4.31	4.35	4.37	4.35	4.29			
125	T.C.	28.4	29.3	28.4	32.3	35.7	29.6	30.1	29.1	32.8	36.2	30.7	30.8	29.8	33.3	36.7			
	S.C.	27.0	27.9	24.2	25.0	19.7	28.1	28.6	26.3	27.0	21.2	29.2	29.3	28.3	29.1	22.7			
	KW	5.16	5.03	5.17	4.83	4.73	4.98	4.93	5.02	4.83	4.74	4.79	4.83	4.87	4.83	4.75			

ALL CAPACITIES INCLUDE INDOOR FAN HEAT. KW VALUES ARE FOR THE SYSTEM (OUTDOOR + INDOOR).

Green shaded cells are ACCA (TVA) conditions.

Blue shaded cells are AHRI conditions.

Multipliers for determining the performance with other indoor sections.

NOTE: For dry bulb temperatures different than those listed (between 73-87 °F), sensible capacity increases by 1060 BTUH per 1000 CFM per degree above the listed temperature and decreases by 1060 BTUH per 1000 CFM per degree below the listed temperature.

COIL MULTIPLIERS- 3.5 TON

Air Handler	Coil	T.C.	S.C.	KW
-	CF/CM/CU42C	1.00	1.00	1.00
-	CF/CM/CU42D	1.00	1.00	1.00
-	CF/CM/CU48C	1.01	1.07	1.01
-	CF/CM/CU48D	1.01	1.07	1.01
-	CF/CM/CU60C	1.03	1.08	1.03
-	CF/CM/CU60D	1.03	1.08	1.03
-	CF/CM64D	1.04	1.08	1.04
-	CF42B	0.96	0.97	0.96
AE42CX21	-	1.04	1.10	1.02
AE48CX21	-	1.03	1.02	0.98
AE48DX21	-	1.03	1.03	0.98
AE60CX21	-	1.05	1.12	1.03
AE60DX21	-	1.05	1.12	1.01
AP42CX21	-	1.00	1.00	1.00
AP48CX21	-	1.01	1.03	1.01
AP48DX21	-	1.01	1.05	1.01
AP60DX22	-	1.03	1.07	1.03
AVC42CX21	-	1.03	1.03	1.00
AVC48CX21	-	1.01	1.02	0.99
AVC48DX21	-	1.04	1.07	1.00
AVC60CX21	-	1.04	1.05	1.02
AVC60DX21	-	1.04	1.02	1.00
ME14DN21	CF/CM42D	1.04	1.10	1.00
ME14DN21	CF/CM48D	1.04	1.10	1.02
ME14DN21	CF/CM60D	1.04	1.03	0.98
ME14DN21	CF/CM64D	1.05	1.10	1.03
ME16CN21	CF/CM42C	1.03	1.10	1.00
ME16CN21	CF/CM48C	1.03	1.02	0.98
ME16CN21	CF/CM60C	1.04	1.03	0.98
ME20DN21	CF/CM42D	1.04	1.12	1.02
ME20DN21	CF/CM48D	1.05	1.13	1.01
ME20DN21	CF/CM60D	1.05	1.10	1.01
ME20DN21	CF/CM64D	1.05	1.10	1.01
ME12CN41	CF/CM42C	1.01	0.98	1.00
ME12CN41	CF/CM48C	1.01	0.96	1.00
ME12CN41	CF/CM60C	1.00	0.94	0.99
ME20DN41	CF/CM42D	1.01	0.98	1.00
ME20DN41	CF/CM48D	1.01	0.97	0.98
ME20DN41	CF/CM60D	1.02	0.98	1.00
ME20DN41	CF/CM64D	1.04	0.99	1.01
MVC12BN21	CF42B	1.00	0.97	1.00
MVC14DN21	CF/CM42D	1.04	1.08	1.02
MVC14DN21	CF/CM48D	1.04	1.07	1.00
MVC14DN21	CF/CM60D	1.03	1.03	0.98
MVC16CN21	CF/CM42C	1.03	1.03	0.98
MVC16CN21	CF/CM48C	1.03	1.05	0.98
MVC20DN21	CF/CM42D	1.01	1.02	0.99
MVC20DN21	CF/CM48D	1.04	1.07	1.00
MVC20DN21	CF/CM60D	1.04	1.05	0.98

FURNACE MULTIPLIERS- 3.5 TON

Furnaces	Coil	T.C.	S.C.	KW
TL8E080C16UH11	CF/CM/CU42C	1.01	1.04	1.01
TL8E080C16UH11	CF/CM/CU48C	1.03	1.04	1.02
TL8E080C16UH11	CF/CM/CU48D	1.03	1.05	1.02
TL8E080C16UH11	CF/CM/CU60C	1.01	1.02	1.01
TL8E080C16UH11	CF/CM/CU60D	1.03	1.05	1.02
TL8E080C16UH11	CF/CM42D	1.01	1.05	1.01
TL8E080C16UH11	CF/CM64D	1.05	1.07	1.05
TL8E100C20UH11	CF/CM/CU42C	1.01	1.03	1.01
TL8E100C20UH11	CF/CM/CU48C	1.03	1.03	1.00
TL8E100C20UH11	CF/CM/CU48D	1.03	1.04	1.02
TL8E100C20UH11	CF/CM/CU60C	1.01	1.01	1.01
TL8E100C20UH11	CF/CM/CU60D	1.04	1.05	1.01
TL8E100C20UH11	CF/CM42D	1.03	1.05	1.02
TL8E100C20UH11	CF/CM64D	1.05	1.06	1.02
TL9E060B12UH11	CF/CM/CU42C	1.00	1.00	1.04
TL9E060B12UH11	CF/CM/CU48C	1.01	1.01	1.05
TL9E060B12UH11	CF/CM/CU60C	1.00	0.99	1.04
TL9E080C16UH11	CF/CM/CU42C	1.01	1.03	1.01
TL9E080C16UH11	CF/CM/CU48C	1.03	1.03	1.02
TL9E080C16UH11	CF/CM/CU48D	1.03	1.04	1.02
TL9E080C16UH11	CF/CM/CU60C	1.01	1.01	1.01
TL9E080C16UH11	CF/CM/CU60D	1.03	1.04	1.02
TL9E080C16UH11	CF/CM42D	1.01	1.04	1.01
TL9E080C16UH11	CF/CM64D	1.04	1.05	1.03
TL9E100C20UH11	CF/CM/CU42C	1.01	1.01	1.01
TL9E100C20UH11	CF/CM/CU48C	1.03	1.03	1.02
TL9E100C20UH11	CF/CM/CU48D	1.03	1.03	1.02
TL9E100C20UH11	CF/CM/CU60C	1.01	1.00	1.01
TL9E100C20UH11	CF/CM/CU60D	1.03	1.04	1.00
TL9E100C20UH11	CF/CM42D	1.01	1.03	1.01
TL9E100C20UH11	CF/CM64D	1.04	1.03	1.01
TM8E080B12MP11	CF/CM/CU42C	1.00	1.02	1.02
TM8E080B12MP11	CF/CM/CU48C	1.01	1.01	1.03
TM8E080B12MP11	CF/CM/CU60C	1.00	1.00	1.02
TM8E080C16MP11	CF/CM/CU42C	1.01	1.04	1.01
TM8E080C16MP11	CF/CM/CU48C	1.03	1.04	1.02
TM8E080C16MP11	CF/CM/CU48D	1.03	1.05	1.02
TM8E080C16MP11	CF/CM/CU60C	1.01	1.02	1.01
TM8E080C16MP11	CF/CM/CU60D	1.03	1.05	1.02
TM8E080C16MP11	CF/CM42D	1.03	1.06	1.02
TM8E080C16MP11	CF/CM64D	1.05	1.07	1.05
TM8E080C20MP11	CF/CM/CU42C	1.01	1.03	1.01
TM8E080C20MP11	CF/CM/CU48C	1.03	1.03	1.02
TM8E080C20MP11	CF/CM/CU48D	1.03	1.04	1.02
TM8E080C20MP11	CF/CM/CU60C	1.01	1.01	1.01
TM8E080C20MP11	CF/CM/CU60D	1.04	1.05	1.01
TM8E080C20MP11	CF/CM42D	1.03	1.05	1.00
TM8E080C20MP11	CF/CM64D	1.05	1.06	1.02
TM8E100B12MP11	CF/CM/CU42C	1.01	1.03	1.03
TM8E100B12MP11	CF/CM/CU48C	1.01	1.01	1.01
TM8E100B12MP11	CF/CM/CU60C	1.00	1.00	1.02
TM8E100C16MP11	CF/CM/CU42C	1.01	1.05	1.01
TM8E100C16MP11	CF/CM/CU48C	1.03	1.05	1.02
TM8E100C16MP11	CF/CM/CU48D	1.03	1.05	1.02
TM8E100C16MP11	CF/CM/CU60C	1.01	1.03	1.01

FURNACE MULTIPLIERS- 3.5 TON (Continued)

Furnaces	Coil	T.C.	S.C.	KW
TM8E100C16MP11	CF/CM/CU60D	1.04	1.08	1.03
TM8E100C16MP11	CF/CM42D	1.03	1.05	1.02
TM8E100C16MP11	CF/CM64D	1.05	1.09	1.05
TM8E100C20MP11	CF/CM/CU42C	1.01	1.03	1.01
TM8E100C20MP11	CF/CM/CU48C	1.03	1.03	1.02
TM8E100C20MP11	CF/CM/CU48D	1.03	1.04	1.02
TM8E100C20MP11	CF/CM/CU60C	1.01	1.01	1.01
TM8E100C20MP11	CF/CM/CU60D	1.04	1.06	1.01
TM8E100C20MP11	CF/CM42D	1.03	1.05	1.02
TM8E100C20MP11	CF/CM64D	1.05	1.06	1.02
TM8E120C16MP11	CF/CM/CU42C	1.01	1.05	1.01
TM8E120C16MP11	CF/CM/CU48C	1.03	1.05	1.02
TM8E120C16MP11	CF/CM/CU48D	1.03	1.05	1.02
TM8E120C16MP11	CF/CM/CU60C	1.01	1.03	1.01
TM8E120C16MP11	CF/CM/CU60D	1.04	1.08	1.03
TM8E120C16MP11	CF/CM42D	1.03	1.05	1.02
TM8E120C16MP11	CF/CM64D	1.05	1.09	1.05
TM8E120C20MP11	CF/CM/CU42C	1.01	1.04	1.01
TM8E120C20MP11	CF/CM/CU48C	1.03	1.05	1.02
TM8E120C20MP11	CF/CM/CU48D	1.03	1.05	1.02
TM8E120C20MP11	CF/CM/CU60C	1.01	1.01	1.01
TM8E120C20MP11	CF/CM/CU60D	1.04	1.08	1.01
TM8E120C20MP11	CF/CM42D	1.03	1.06	1.02
TM8E120C20MP11	CF/CM64D	1.05	1.07	1.02
TM8E130D20MP11	CF/CM/CU48D	1.04	1.05	1.03
TM8E130D20MP11	CF/CM/CU60D	1.04	1.07	1.01
TM8E130D20MP11	CF/CM42D	1.03	1.06	1.02
TM8E130D20MP11	CF/CM64D	1.05	1.07	1.02
TM9E060B12MP12	CF/CM/CU42C	1.00	1.00	1.04
TM9E060B12MP12	CF/CM/CU48C	1.01	1.01	1.05
TM9E060B12MP12	CF/CM/CU60C	1.00	0.99	1.04
TM9E080B12MP12	CF/CM/CU42C	1.00	1.02	1.02
TM9E080B12MP12	CF/CM/CU48C	1.01	1.01	1.03
TM9E080B12MP12	CF/CM/CU60C	1.00	1.00	1.02
TM9E080C16MP12	CF/CM/CU42C	1.01	1.04	1.01
TM9E080C16MP12	CF/CM/CU48C	1.03	1.04	1.02
TM9E080C16MP12	CF/CM/CU48D	1.03	1.04	1.02
TM9E080C16MP12	CF/CM/CU60C	1.01	1.02	1.01
TM9E080C16MP12	CF/CM/CU60D	1.03	1.04	1.02
TM9E080C16MP12	CF/CM42D	1.01	1.04	1.01
TM9E080C16MP12	CF/CM64D	1.04	1.05	1.03
TM9E080C20MP12	CF/CM/CU42C	1.01	1.01	1.01
TM9E080C20MP12	CF/CM/CU48C	1.03	1.03	1.02
TM9E080C20MP12	CF/CM/CU48D	1.03	1.03	1.02
TM9E080C20MP12	CF/CM/CU60C	1.01	1.00	1.01
TM9E080C20MP12	CF/CM/CU60D	1.03	1.04	1.00
TM9E080C20MP12	CF/CM42D	1.01	1.03	1.01
TM9E080C20MP12	CF/CM64D	1.05	1.06	1.02
TM9E100C16MP12	CF/CM/CU42C	1.01	1.04	1.01
TM9E100C16MP12	CF/CM/CU48C	1.03	1.04	1.02
TM9E100C16MP12	CF/CM/CU48D	1.03	1.05	1.02
TM9E100C16MP12	CF/CM/CU60C	1.01	1.02	1.01
TM9E100C16MP12	CF/CM/CU60D	1.03	1.05	1.02
TM9E100C16MP12	CF/CM42D	1.01	1.05	1.01
TM9E100C16MP12	CF/CM64D	1.04	1.05	1.03
TM9E100C16MP12	CF/CM42D	1.01	1.05	1.01
TM9E100C16MP12	CF/CM64D	1.04	1.05	1.03

FURNACE MULTIPLIERS- 3.5 TON (Continued)

Furnaces	Coil	T.C.	S.C.	KW
TM9E100C20MP12	CF/CM/CU42C	1.01	1.01	1.01
TM9E100C20MP12	CF/CM/CU48C	1.03	1.02	1.02
TM9E100C20MP12	CF/CM/CU48D	1.03	1.02	1.02
TM9E100C20MP12	CF/CM/CU60C	1.01	1.00	1.01
TM9E100C20MP12	CF/CM/CU60D	1.03	1.04	1.00
TM9E100C20MP12	CF/CM42D	1.01	1.01	1.01
TM9E100C20MP12	CF/CM64D	1.04	1.03	1.01
TM9E120D20MP12	CF/CM/CU48D	1.03	1.03	1.02
TM9E120D20MP12	CF/CM/CU60D	1.03	1.04	1.00
TM9E120D20MP12	CF/CM42D	1.01	1.03	1.01
TM9E120D20MP12	CF/CM64D	1.05	1.06	1.02
TM9V080C16MP11C	CF/CM/CU42C	1.01	1.01	1.01
TM9V080C16MP11C	CF/CM/CU48C	1.01	1.01	1.01
TM9V080C16MP11C	CF/CM/CU48D	1.01	1.01	1.01
TM9V080C16MP11C	CF/CM/CU60C	1.01	1.00	1.01
TM9V080C16MP11C	CF/CM/CU60D	1.01	1.01	1.01
TM9V080C16MP11C	CF/CM42D	1.01	1.01	1.01
TM9V080C16MP11C	CF/CM64D	1.04	1.03	1.03
TM9V080C16MP12C	CF/CM/CU42C	1.01	1.01	1.01
TM9V080C16MP12C	CF/CM/CU48C	1.01	1.01	1.01
TM9V080C16MP12C	CF/CM/CU48D	1.01	1.01	1.01
TM9V080C16MP12C	CF/CM/CU60C	1.01	1.00	1.01
TM9V080C16MP12C	CF/CM/CU60D	1.01	1.01	1.01
TM9V080C16MP12C	CF/CM42D	1.01	1.01	1.01
TM9V080C16MP12C	CF/CM64D	1.04	1.03	1.03
TMLE080B12MP11	CF/CM/CU42C	1.00	1.02	1.02
TMLE080B12MP11	CF/CM/CU48C	1.01	1.01	1.03
TMLE080B12MP11	CF/CM/CU60C	1.00	1.00	1.02
TMLE080C16MP11	CF/CM/CU42C	1.01	1.04	1.01
TMLE080C16MP11	CF/CM/CU48C	1.03	1.04	1.02
TMLE080C16MP11	CF/CM/CU48D	1.03	1.05	1.02
TMLE080C16MP11	CF/CM/CU60C	1.01	1.02	1.01
TMLE080C16MP11	CF/CM/CU60D	1.03	1.05	1.02
TMLE080C16MP11	CF/CM42D	1.03	1.06	1.02
TMLE080C16MP11	CF/CM64D	1.05	1.07	1.05
TMLE080C20MP11	CF/CM/CU42C	1.01	1.03	1.01
TMLE080C20MP11	CF/CM/CU48C	1.03	1.03	1.02
TMLE080C20MP11	CF/CM/CU48D	1.03	1.04	1.02
TMLE080C20MP11	CF/CM/CU60C	1.01	1.01	1.01
TMLE080C20MP11	CF/CM/CU60D	1.04	1.05	1.01
TMLE080C20MP11	CF/CM42D	1.03	1.05	1.00
TMLE080C20MP11	CF/CM64D	1.05	1.06	1.02
TMLE100B12MP11	CF/CM/CU42C	1.01	1.03	1.03
TMLE100B12MP11	CF/CM/CU48C	1.01	1.01	1.01
TMLE100B12MP11	CF/CM/CU60C	1.00	1.00	1.02
TMLE100C16MP11	CF/CM/CU42C	1.01	1.05	1.01
TMLE100C16MP11	CF/CM/CU48C	1.03	1.05	1.02
TMLE100C16MP11	CF/CM/CU48D	1.03	1.05	1.02
TMLE100C16MP11	CF/CM/CU60C	1.01	1.03	1.01
TMLE100C16MP11	CF/CM/CU60D	1.04	1.08	1.03
TMLE100C16MP11	CF/CM42D	1.03	1.05	1.02
TMLE100C16MP11	CF/CM64D	1.05	1.09	1.05
TMLE100C20MP11	CF/CM/CU42C	1.01	1.03	1.01
TMLE100C20MP11	CF/CM/CU48C	1.03	1.03	1.02
TMLE100C20MP11	CF/CM/CU48D	1.03	1.04	1.02

FURNACE MULTIPLIERS- 3.5 TON (Continued)

Furnaces	Coil	T.C.	S.C.	KW
TMLE100C20MP11	CF/CM/CU60C	1.01	1.01	1.01
TMLE100C20MP11	CF/CM/CU60D	1.04	1.06	1.01
TMLE100C20MP11	CF/CM42D	1.03	1.05	1.02
TMLE100C20MP11	CF/CM64D	1.05	1.06	1.02
TMLE120C16MP11	CF/CM/CU42C	1.01	1.05	1.01
TMLE120C16MP11	CF/CM/CU48C	1.03	1.05	1.02
TMLE120C16MP11	CF/CM/CU48D	1.03	1.05	1.02
TMLE120C16MP11	CF/CM/CU60C	1.01	1.03	1.01
TMLE120C16MP11	CF/CM/CU60D	1.04	1.08	1.03
TMLE120C16MP11	CF/CM42D	1.03	1.05	1.02
TMLE120C16MP11	CF/CM64D	1.05	1.09	1.05
TMLE120C20MP11	CF/CM/CU42C	1.01	1.04	1.01
TMLE120C20MP11	CF/CM/CU48C	1.03	1.05	1.02
TMLE120C20MP11	CF/CM/CU48D	1.03	1.05	1.02
TMLE120C20MP11	CF/CM/CU60C	1.01	1.01	1.01
TMLE120C20MP11	CF/CM/CU60D	1.04	1.08	1.01
TMLE120C20MP11	CF/CM42D	1.03	1.06	1.02
TMLE120C20MP11	CF/CM64D	1.05	1.07	1.02
TMLE130D20MP11	CF/CM/CU48D	1.04	1.05	1.03

FURNACE MULTIPLIERS- 3.5 TON (Continued)

Furnaces	Coil	T.C.	S.C.	KW
TMLE130D20MP11	CF/CM/CU60D	1.04	1.07	1.01
TMLE130D20MP11	CF/CM42D	1.03	1.06	1.02
TMLE130D20MP11	CF/CM64D	1.05	1.07	1.02
TP9C080C16MP13C	CF/CM/CU42C	1.01	1.01	1.01
TP9C080C16MP13C	CF/CM/CU48C	1.01	1.01	1.01
TP9C080C16MP13C	CF/CM/CU48D	1.01	1.01	1.01
TP9C080C16MP13C	CF/CM/CU60C	1.01	1.00	1.01
TP9C080C16MP13C	CF/CM/CU60D	1.01	1.01	1.01
TP9C080C16MP13C	CF/CM42D	1.01	1.01	1.01
TP9C080C16MP13C	CF/CM64D	1.04	1.03	1.03
YP9C080C16MP13C	CF/CM/CU42C	1.01	1.01	1.01
YP9C080C16MP13C	CF/CM/CU48C	1.01	1.01	1.01
YP9C080C16MP13C	CF/CM/CU48D	1.01	1.01	1.01
YP9C080C16MP13C	CF/CM/CU60C	1.01	1.00	1.01
YP9C080C16MP13C	CF/CM/CU60D	1.01	1.01	1.01
YP9C080C16MP13C	CF/CM42D	1.01	1.01	1.01
YP9C080C16MP13C	CF/CM64D	1.04	1.03	1.03

PERFORMANCE DATA - 4 TON 230 Volt

CONDENSER-ONLY DATA (OUTDOOR UNIT)																		
MODEL	SATURATED SUCTION @ COMPRESSOR		Outdoor Ambient Temperature															
			55 °F		65 °F		75 °F		85 °F		95 °F		105 °F		115 °F		125 °F	
	T (°F)	P (PSIG)	MBH	KW	MBH	KW	MBH	KW	MBH	KW	MBH	KW	MBH	KW	MBH	KW	MBH	KW
TCD48B31S	35	107	47.7	2.49	45.2	2.77	42.7	3.08	40.2	3.43	37.6	3.83	34.9	4.30	32.1	4.82	29.0	5.43
	40	118	52.4	2.51	49.8	2.78	47.2	3.09	44.5	3.43	41.7	3.82	38.8	4.29	35.8	4.81	32.5	5.41
	45	130	57.5	2.54	54.6	2.80	51.9	3.10	49.1	3.44	46.1	3.82	43.0	4.28	39.8	4.80	36.3	5.38
	50	142	62.9	2.56	59.9	2.83	56.8	3.12	53.8	3.46	50.7	3.82	47.4	4.27	43.9	4.79	40.3	5.36
	55	156	68.6	2.59	65.4	2.85	62.2	3.14	58.9	3.47	55.6	3.84	52.1	4.27	48.4	4.78	44.6	5.33

Notes:

- For Outdoor Unit (Condenser) performance only. Data does not include the effects of air handler power or heat.
- Performance based on 15°F subcooling and 15°F superheat at the Outdoor Unit base valves.
 - Increase capacity by 1% for each 2°F increase in subcooling.
 - Decrease capacity by 1% for each 2°F decrease in subcooling.
- Maximum recommended condensing temperature is 140°F.

COOLING PERFORMANCE DATA																
OUTDOOR UNIT MODEL NO.		TCD48B31S														
INDOOR COIL MODEL NO.		CF48CXA1														
AIR TEMP. ENTERING OUTDOOR UNIT (°F)	ID CFM	1400					1600					1800				
	ID DB (°F)	80	80	75	80	80	80	80	75	80	80	80	80	75	80	80
	ID WB (°F)	57	62	62	67	72	57	62	62	67	72	57	62	62	67	72
55	T.C.	44.9	47.6	47.5	49.3	49.9	45.1	47.8	47.5	49.4	49.9	45.3	48.0	47.6	49.5	49.9
	S.C.	44.1	37.8	32.4	30.3	23.1	44.5	38.9	33.1	30.8	23.3	44.9	39.9	33.9	31.3	23.5
	KW	2.62	2.66	2.66	2.68	2.70	2.70	2.74	2.74	2.76	2.78	2.77	2.81	2.81	2.84	2.86
65	T.C.	44.6	47.3	47.0	49.6	50.9	45.4	47.6	47.4	49.9	51.0	46.2	48.0	47.7	50.1	51.1
	S.C.	43.9	39.2	33.1	31.4	23.8	44.8	40.6	34.3	32.2	24.1	45.6	42.1	35.5	33.1	24.5
	KW	2.89	2.92	2.92	2.95	2.97	2.97	3.00	3.00	3.03	3.05	3.05	3.07	3.07	3.10	3.13
75	T.C.	44.4	46.9	46.6	49.9	51.9	45.7	47.4	47.2	50.3	52.1	47.1	47.9	47.8	50.7	52.3
	S.C.	43.8	40.5	33.9	32.5	24.5	45.1	42.4	35.5	33.7	25.0	46.4	44.3	37.2	34.8	25.4
	KW	3.17	3.18	3.18	3.22	3.23	3.24	3.26	3.26	3.29	3.31	3.32	3.33	3.33	3.36	3.39
85	T.C.	42.6	44.8	44.6	48.4	51.2	44.0	45.5	45.3	48.9	51.5	45.5	46.2	46.0	49.4	51.8
	S.C.	42.0	39.2	32.9	32.3	24.6	43.4	41.4	34.8	33.9	25.3	44.8	43.7	36.7	35.5	26.1
	KW	3.56	3.59	3.57	3.59	3.61	3.63	3.66	3.64	3.67	3.68	3.70	3.73	3.71	3.74	3.76
95	T.C.	40.8	42.7	42.6	46.9	50.4	42.3	43.5	43.4	47.5	50.9	43.9	44.4	44.2	48.1	51.3
	S.C.	40.2	37.8	32.0	32.2	24.7	41.7	40.5	34.1	34.2	25.7	43.3	43.2	36.2	36.2	26.7
	KW	3.96	3.99	3.96	3.97	3.98	4.02	4.05	4.03	4.04	4.05	4.08	4.12	4.10	4.12	4.13
105	T.C.	38.9	40.2	40.1	44.1	47.8	40.3	41.1	40.8	44.6	48.2	41.7	42.0	41.5	45.2	48.7
	S.C.	38.5	36.6	30.9	31.0	23.8	39.8	38.9	32.9	33.0	24.8	41.2	41.2	35.0	35.0	25.8
	KW	4.68	4.73	4.73	4.68	4.64	4.73	4.77	4.79	4.74	4.71	4.78	4.82	4.84	4.80	4.78
115	T.C.	37.2	37.8	37.6	41.4	45.2	38.4	38.8	38.3	41.9	45.6	39.7	39.8	38.9	42.3	46.1
	S.C.	36.9	35.5	29.9	29.9	22.9	38.0	37.3	31.8	31.8	23.9	39.1	39.2	33.7	33.8	24.9
	KW	5.38	5.44	5.47	5.37	5.27	5.42	5.47	5.52	5.41	5.34	5.45	5.50	5.56	5.46	5.41
125	T.C.	35.4	35.4	35.2	38.7	42.6	36.5	36.4	35.7	39.1	43.0	37.6	37.5	36.3	39.5	43.5
	S.C.	35.2	34.3	28.9	28.8	22.0	36.1	35.8	30.7	30.7	23.0	37.0	37.2	32.5	32.6	24.0
	KW	6.09	6.16	6.21	6.07	5.91	6.10	6.17	6.25	6.09	5.97	6.12	6.18	6.29	6.12	6.04

ALL CAPACITIES INCLUDE INDOOR FAN HEAT. KW VALUES ARE FOR THE SYSTEM (OUTDOOR + INDOOR).

Green shaded cells are ACCA (TVA) conditions.

Blue shaded cells are AHRI conditions.

Multipliers for determining the performance with other indoor sections.

NOTE: For dry bulb temperatures different than those listed (between 73-87 °F), sensible capacity increases by 1060 BTUH per 1000 CFM per degree above the listed temperature and decreases by 1060 BTUH per 1000 CFM per degree below the listed temperature.

COIL MULTIPLIERS- 4 TON

Air Handler	Coil	T.C.	S.C.	KW
-	CF/CM/CU48C	1.00	1.00	1.00
-	CF/CM/CU48D	1.00	1.01	1.00
-	CF/CM/CU60C	1.01	1.05	0.97
-	CF/CM/CU60D	1.01	1.05	0.99
-	CF/CM64D	1.01	1.06	0.97
AE48CX21	-	0.99	0.99	0.91
AE48DX21	-	0.99	0.99	0.91
AE60CX21	-	1.00	1.01	0.92
AE60DX21	-	1.01	1.01	0.91
AP48CX21	-	1.01	0.97	1.01
AP48DX21	-	1.00	0.99	1.00
AP60CX21	-	1.01	1.05	0.99
AP60DX22	-	1.01	1.05	1.01
AVC48CX21	-	1.01	1.00	0.95
AVC48DX21	-	1.01	0.99	0.93
AVC60CX21	-	1.01	1.00	0.93
AVC60DX21	-	1.01	1.02	0.93
ME14DN21	CF/CM60D	1.01	1.02	0.93
ME14DN21	CF/CM64D	1.01	1.01	0.91
ME16CN21	CF/CM48C	1.01	1.03	0.93
ME16CN21	CF/CM60C	1.01	1.03	0.93
ME20DN21	CF/CM48D	1.01	1.03	0.93
ME20DN21	CF/CM60D	1.01	1.01	0.93
ME20DN21	CF/CM64D	1.01	1.01	0.91
ME12CN41	CF/CM48C	1.01	1.01	0.93
ME12CN41	CF/CM60C	1.01	1.01	0.95
ME14DN41	CF/CM48D	1.01	1.09	0.95
ME14DN41	CF/CM60D	1.01	1.05	0.95
ME14DN41	CF/CM64D	1.01	1.06	0.93
ME16CN41	CF/CM48C	1.01	1.04	0.93
ME16CN41	CF/CM60C	1.01	1.02	1.01
ME20DN41	CF/CM48D	1.01	1.06	0.95
ME20DN41	CF/CM60D	1.01	1.08	0.95
ME20DN41	CF/CM64D	1.01	1.17	0.93
MVC14DN21	CF/CM48D	1.01	0.97	0.93
MVC14DN21	CF/CM60D	1.01	0.98	0.93
MVC14DN21	CF/CM64D	1.01	0.99	0.91
MVC16CN21	CF/CM48C	1.01	1.01	0.93
MVC16CN21	CF/CM60C	1.01	1.06	0.91
MVC20DN21	CF/CM48D	1.01	1.02	0.93
MVC20DN21	CF/CM60D	1.01	1.03	0.93
MVC20DN21	CF/CM64D	1.01	1.01	0.91

FURNACE MULTIPLIERS- 4 TON

Furnaces	Coil	T.C.	S.C.	KW
TL8E080C16UH11	CF/CM/CU48C	1.01	1.03	0.95
TL8E080C16UH11	CF/CM/CU48D	1.01	1.03	0.97
TL8E080C16UH11	CF/CM/CU60C	1.01	1.03	0.97
TL8E080C16UH11	CF/CM/CU60D	1.01	1.04	0.95
TL8E080C16UH11	CF/CM64D	1.01	1.03	0.95
TL8E100C20UH11	CF/CM/CU48C	1.01	1.03	0.95
TL8E100C20UH11	CF/CM/CU48D	1.01	1.04	0.95
TL8E100C20UH11	CF/CM/CU60C	1.01	1.03	0.95
TL8E100C20UH11	CF/CM/CU60D	1.01	1.05	0.95
TL8E100C20UH11	CF/CM64D	1.01	1.04	0.93
TL9E080C16UH11	CF/CM/CU48C	1.01	1.03	0.97
TL9E080C16UH11	CF/CM/CU48D	1.01	1.03	0.97
TL9E080C16UH11	CF/CM/CU60C	1.01	1.03	0.97
TL9E080C16UH11	CF/CM/CU60D	1.01	1.05	0.97
TL9E080C16UH11	CF/CM64D	1.01	1.04	0.95
TL9E100C20UH11	CF/CM/CU48C	1.01	1.03	0.95
TL9E100C20UH11	CF/CM/CU48D	1.01	1.04	0.95
TL9E100C20UH11	CF/CM/CU60C	1.01	1.03	0.95
TL9E100C20UH11	CF/CM/CU60D	1.01	1.04	0.95
TL9E100C20UH11	CF/CM64D	1.01	1.04	0.93
TM8E080B12MP11	CF/CM/CU48C	1.01	1.02	0.99
TM8E080C16MP11	CF/CM/CU48C	1.00	1.02	1.00
TM8E080C16MP11	CF/CM/CU48D	1.01	1.04	1.01
TM8E080C16MP11	CF/CM/CU60C	1.01	1.07	0.97
TM8E080C16MP11	CF/CM/CU60D	1.01	1.08	0.97
TM8E080C16MP11	CF/CM64D	1.01	1.08	0.97
TM8E080C20MP11	CF/CM/CU48C	1.01	1.05	0.95
TM8E080C20MP11	CF/CM/CU48D	1.01	1.04	0.95
TM8E080C20MP11	CF/CM/CU60C	1.01	1.04	0.95
TM8E080C20MP11	CF/CM/CU60D	1.01	1.05	0.95
TM8E080C20MP11	CF/CM64D	1.01	1.05	0.93
TM8E100C16MP11	CF/CM/CU48C	1.01	0.99	0.95
TM8E100C16MP11	CF/CM/CU48D	1.01	0.99	0.95
TM8E100C16MP11	CF/CM/CU60C	1.01	1.07	0.97
TM8E100C16MP11	CF/CM/CU60D	1.01	1.01	0.95
TM8E100C16MP11	CF/CM64D	1.01	1.01	0.93
TM8E100C20MP11	CF/CM/CU48C	1.01	1.04	0.95
TM8E100C20MP11	CF/CM/CU48D	1.01	1.05	0.95
TM8E100C20MP11	CF/CM/CU60C	1.01	1.03	0.95
TM8E100C20MP11	CF/CM/CU60D	1.01	1.05	0.95
TM8E100C20MP11	CF/CM64D	1.01	1.04	0.93
TM8E120C16MP11	CF/CM/CU48C	1.01	0.99	0.95
TM8E120C16MP11	CF/CM/CU48D	1.01	0.99	0.95
TM8E120C16MP11	CF/CM/CU60C	1.01	1.00	0.95
TM8E120C16MP11	CF/CM/CU60D	1.01	1.02	0.95
TM8E120C16MP11	CF/CM64D	1.01	1.01	0.93
TM8E120C20MP11	CF/CM/CU48C	1.01	1.04	0.95
TM8E120C20MP11	CF/CM/CU48D	1.01	1.04	0.95
TM8E120C20MP11	CF/CM/CU60C	1.01	1.03	0.95
TM8E120C20MP11	CF/CM/CU60D	1.01	1.01	0.93
TM8E120C20MP11	CF/CM64D	1.01	1.04	0.93
TM8E130D20MP11	CF/CM/CU48D	1.01	1.04	0.93
TM8E130D20MP11	CF/CM/CU60D	1.01	1.05	0.93
TM8E130D20MP11	CF/CM64D	1.01	1.04	0.91
TM9E080B12MP12	CF/CM/CU48C	1.01	1.02	0.99

FURNACE MULTIPLIERS- 4 TON (Continued)

Furnaces	Coil	T.C.	S.C.	KW
TM9E080B12MP12	CF/CM/CU60C	1.00	1.00	1.00
TM9E080C20MP12	CF/CM/CU48C	1.01	1.03	0.95
TM9E080C20MP12	CF/CM/CU48D	1.01	1.04	0.95
TM9E080C20MP12	CF/CM/CU60C	1.01	1.03	0.95
TM9E080C20MP12	CF/CM/CU60D	1.01	1.04	0.95
TM9E080C20MP12	CF/CM64D	1.01	1.04	0.93
TM9E100C16MP12	CF/CM/CU60D	1.01	1.09	0.99
TM9E100C20MP12	CF/CM/CU48C	1.01	1.03	0.95
TM9E100C20MP12	CF/CM/CU48D	1.01	1.04	0.95
TM9E100C20MP12	CF/CM/CU60C	1.01	1.03	0.95
TM9E100C20MP12	CF/CM/CU60D	1.01	1.04	0.95
TM9E100C20MP12	CF/CM64D	1.01	1.04	0.93
TM9E120D20MP12	CF/CM/CU48D	1.01	1.05	0.95
TM9E120D20MP12	CF/CM/CU60D	1.01	1.05	0.95
TM9E120D20MP12	CF/CM64D	1.01	1.05	0.93
TM9V080C16MP11C	CF/CM/CU48C	0.99	0.98	0.93
TM9V080C16MP11C	CF/CM/CU48D	0.99	0.97	0.91
TM9V080C16MP11C	CF/CM/CU60C	0.99	0.98	0.93
TM9V080C16MP11C	CF/CM/CU60D	0.99	0.98	0.93
TM9V080C16MP11C	CF/CM64D	0.99	0.98	0.91
TM9V080C16MP12C	CF/CM/CU48C	0.99	0.98	0.93
TM9V080C16MP12C	CF/CM/CU48D	0.99	0.97	0.91
TM9V080C16MP12C	CF/CM/CU60C	0.99	0.98	0.93
TM9V080C16MP12C	CF/CM/CU60D	0.99	0.98	0.93
TM9V080C16MP12C	CF/CM64D	0.99	0.98	0.91
TMLE080B12MP11	CF/CM/CU48C	1.01	1.02	0.99
TMLE080C16MP11	CF/CM/CU48C	1.00	1.02	1.00
TMLE080C16MP11	CF/CM/CU48D	1.01	1.04	1.01
TMLE080C16MP11	CF/CM/CU60C	1.01	1.07	0.97
TMLE080C16MP11	CF/CM/CU60D	1.01	1.08	0.97
TMLE080C16MP11	CF/CM64D	1.01	1.08	0.97
TMLE080C20MP11	CF/CM/CU48C	1.01	1.05	0.95
TMLE080C20MP11	CF/CM/CU48D	1.01	1.04	0.95
TMLE080C20MP11	CF/CM/CU60C	1.01	1.04	0.95
TMLE080C20MP11	CF/CM/CU60D	1.01	1.05	0.95
TMLE080C20MP11	CF/CM64D	1.01	1.05	0.93

FURNACE MULTIPLIERS- 4 TON (Continued)

Furnaces	Coil	T.C.	S.C.	KW
TMLE100C16MP11	CF/CM/CU48C	1.01	0.99	0.95
TMLE100C16MP11	CF/CM/CU48D	1.01	0.99	0.95
TMLE100C16MP11	CF/CM/CU60C	1.01	1.07	0.97
TMLE100C16MP11	CF/CM/CU60D	1.01	1.01	0.95
TMLE100C16MP11	CF/CM64D	1.01	1.01	0.93
TMLE100C20MP11	CF/CM/CU48C	1.01	1.04	0.95
TMLE100C20MP11	CF/CM/CU48D	1.01	1.05	0.95
TMLE100C20MP11	CF/CM/CU60C	1.01	1.03	0.95
TMLE100C20MP11	CF/CM/CU60D	1.01	1.05	0.95
TMLE100C20MP11	CF/CM64D	1.01	1.04	0.93
TMLE120C16MP11	CF/CM/CU48C	1.01	0.99	0.95
TMLE120C16MP11	CF/CM/CU48D	1.01	0.99	0.95
TMLE120C16MP11	CF/CM/CU60C	1.01	1.00	0.95
TMLE120C16MP11	CF/CM/CU60D	1.01	1.02	0.95
TMLE120C16MP11	CF/CM64D	1.01	1.01	0.93
TMLE120C20MP11	CF/CM/CU48C	1.01	1.04	0.95
TMLE120C20MP11	CF/CM/CU48D	1.01	1.04	0.95
TMLE120C20MP11	CF/CM/CU60C	1.01	1.03	0.95
TMLE120C20MP11	CF/CM/CU60D	1.01	1.01	0.93
TMLE120C20MP11	CF/CM64D	1.01	1.04	0.93
TMLE130D20MP11	CF/CM/CU48D	1.01	1.04	0.93
TMLE130D20MP11	CF/CM/CU60D	1.01	1.05	0.93
TMLE130D20MP11	CF/CM64D	1.01	1.04	0.91
TP9C080C16MP13C	CF/CM/CU48C	0.99	0.98	0.93
TP9C080C16MP13C	CF/CM/CU48D	0.99	0.97	0.91
TP9C080C16MP13C	CF/CM/CU60C	0.99	0.98	0.93
TP9C080C16MP13C	CF/CM/CU60D	0.99	0.98	0.93
TP9C080C16MP13C	CF/CM64D	0.99	0.98	0.91
YP9C080C16MP13C	CF/CM/CU48C	0.99	0.98	0.93
YP9C080C16MP13C	CF/CM/CU48D	0.99	0.97	0.91
YP9C080C16MP13C	CF/CM/CU60C	0.99	0.98	0.93
YP9C080C16MP13C	CF/CM/CU60D	0.99	0.98	0.93
YP9C080C16MP13C	CF/CM64D	0.99	0.98	0.91

PERFORMANCE DATA - 4 TON 460 Volt

CONDENSER-ONLY DATA (OUTDOOR UNIT)																		
MODEL	SATURATED SUCTION @ COMPRESSOR		Outdoor Ambient Temperature															
			55 °F		65 °F		75 °F		85 °F		95 °F		105 °F		115 °F		125 °F	
	T (°F)	P (PSIG)	MBH	KW	MBH	KW	MBH	KW	MBH	KW	MBH	KW	MBH	KW	MBH	KW	MBH	KW
TCD48B41S	35	107	47.6	2.50	45.1	2.78	42.6	3.09	40.1	3.44	37.5	3.84	34.8	4.31	32.0	4.84	29.0	5.45
	40	118	52.3	2.51	49.7	2.79	47.1	3.09	44.4	3.44	41.6	3.83	38.7	4.30	35.7	4.83	32.4	5.43
	45	130	57.4	2.53	54.6	2.80	51.8	3.10	49.0	3.44	46.0	3.83	42.9	4.29	39.6	4.82	36.2	5.40
	50	142	62.8	2.56	59.8	2.83	56.8	3.12	53.8	3.45	50.7	3.83	47.3	4.28	43.8	4.80	40.2	5.37
	55	156	68.6	2.59	65.5	2.85	62.2	3.15	58.9	3.48	55.6	3.84	52.1	4.28	48.3	4.79	44.5	5.35

Notes:

1. For Outdoor Unit (Condenser) performance only. Data does not include the effects of air handler power or heat.
2. Performance based on 15°F subcooling and 15°F superheat at the Outdoor Unit base valves.
 - a. Increase capacity by 1% for each 2°F increase in subcooling.
 - b. Decrease capacity by 1% for each 2°F decrease in subcooling.
3. Maximum recommended condensing temperature is 140°F.

COOLING PERFORMANCE DATA																	
OUTDOOR UNIT MODEL NO.		TCD48B41S															
INDOOR COIL MODEL NO.		CF48CX1															
AIR TEMP. ENTERING OUTDOOR UNIT (°F)	ID CFM	1400					1600					1800					
	ID DB (°F)	80	80	75	80	80	80	80	75	80	80	80	80	80	75	80	80
	ID WB (°F)	57	62	62	67	72	57	62	62	67	72	57	62	62	67	72	
55	T.C.	44.9	47.6	47.5	49.3	49.9	45.1	47.8	47.5	49.4	49.9	45.3	48.0	47.6	49.5	49.9	
	S.C.	44.1	37.8	32.4	30.3	23.1	44.5	38.9	33.1	30.8	23.3	44.9	39.9	33.9	31.3	23.5	
	KW	2.62	2.66	2.66	2.68	2.70	2.70	2.74	2.74	2.76	2.78	2.77	2.81	2.81	2.84	2.86	
65	T.C.	44.6	47.3	47.0	49.6	50.9	45.4	47.6	47.4	49.9	51.0	46.2	48.0	47.7	50.1	51.1	
	S.C.	43.9	39.2	33.1	31.4	23.8	44.8	40.6	34.3	32.2	24.1	45.6	42.1	35.5	33.1	24.5	
	KW	2.89	2.92	2.92	2.95	2.97	2.97	3.00	3.00	3.03	3.05	3.05	3.07	3.07	3.10	3.13	
75	T.C.	44.4	46.9	46.6	49.9	51.9	45.7	47.4	47.2	50.3	52.1	47.1	47.9	47.8	50.7	52.3	
	S.C.	43.8	40.5	33.9	32.5	24.5	45.1	42.4	35.5	33.7	25.0	46.4	44.3	37.2	34.8	25.4	
	KW	3.17	3.18	3.18	3.22	3.23	3.24	3.26	3.26	3.29	3.31	3.32	3.33	3.33	3.36	3.39	
85	T.C.	42.6	44.8	44.6	48.4	51.2	44.0	45.5	45.3	48.9	51.5	45.5	46.2	46.0	49.4	51.8	
	S.C.	42.0	39.2	32.9	32.3	24.6	43.4	41.4	34.8	33.9	25.3	44.8	43.7	36.7	35.5	26.1	
	KW	3.56	3.59	3.57	3.59	3.61	3.63	3.66	3.64	3.67	3.68	3.70	3.73	3.71	3.74	3.76	
95	T.C.	40.8	42.7	42.6	46.9	50.4	42.3	43.5	43.4	47.5	50.9	43.9	44.4	44.2	48.1	51.3	
	S.C.	40.2	37.8	32.0	32.2	24.7	41.7	40.5	34.1	34.2	25.7	43.3	43.2	36.2	36.2	26.7	
	KW	3.96	3.99	3.96	3.97	3.98	4.02	4.05	4.03	4.04	4.05	4.08	4.12	4.10	4.12	4.13	
105	T.C.	38.9	40.2	40.1	44.1	47.8	40.3	41.1	40.8	44.6	48.2	41.7	42.0	41.5	45.2	48.7	
	S.C.	38.5	36.6	30.9	31.0	23.8	39.8	38.9	32.9	33.0	24.8	41.2	41.2	35.0	35.0	25.8	
	KW	4.68	4.73	4.73	4.68	4.64	4.73	4.77	4.79	4.74	4.71	4.78	4.82	4.84	4.80	4.78	
115	T.C.	37.2	37.8	37.6	41.4	45.2	38.4	38.8	38.3	41.9	45.6	39.7	39.8	38.9	42.3	46.1	
	S.C.	36.9	35.5	29.9	29.9	22.9	38.0	37.3	31.8	31.8	23.9	39.1	39.2	33.7	33.8	24.9	
	KW	5.38	5.44	5.47	5.37	5.27	5.42	5.47	5.52	5.41	5.34	5.45	5.50	5.56	5.46	5.41	
125	T.C.	35.4	35.4	35.2	38.7	42.6	36.5	36.4	35.7	39.1	43.0	37.6	37.5	36.3	39.5	43.5	
	S.C.	35.2	34.3	28.9	28.8	22.0	36.1	35.8	30.7	30.7	23.0	37.0	37.2	32.5	32.6	24.0	
	KW	6.09	6.16	6.21	6.07	5.91	6.10	6.17	6.25	6.09	5.97	6.12	6.18	6.29	6.12	6.04	

ALL CAPACITIES INCLUDE INDOOR FAN HEAT. KW VALUES ARE FOR THE SYSTEM (OUTDOOR + INDOOR).

Green shaded cells are ACCA (TVA) conditions.

Blue shaded cells are AHRI conditions.

Multipliers for determining the performance with other indoor sections.

NOTE: For dry bulb temperatures different than those listed (between 73-87 °F), sensible capacity increases by 1060 BTUH per 1000 CFM per degree above the listed temperature and decreases by 1060 BTUH per 1000 CFM per degree below the listed temperature.

COIL MULTIPLIERS- 4 TON

Air Handler	Coil	T.C.	S.C.	KW
-	CF/CM/CU48C	1.00	1.00	1.00
-	CF/CM/CU48D	1.00	1.01	1.00
-	CF/CM/CU60C	1.01	1.06	0.97
-	CF/CM/CU60D	1.01	1.06	0.99
-	CF/CM64D	1.01	1.06	0.97
AE48CX21	-	0.99	0.99	0.91
AE48DX21	-	0.99	0.99	0.91
AE60CX21	-	1.00	1.01	0.92
AE60DX21	-	1.01	1.01	0.91
AP48CX21	-	1.01	0.98	1.01
AP48DX21	-	1.00	0.99	1.00
AP60CX21	-	1.01	1.06	0.99
AP60DX22	-	1.01	1.06	1.01
AVC48CX21	-	1.01	1.01	0.95
AVC48DX21	-	1.01	1.01	0.93
AVC60CX21	-	1.01	1.00	0.93
AVC60DX21	-	1.01	1.04	0.93
ME14DN21	CF/CM60D	1.01	1.02	0.93
ME14DN21	CF/CM64D	1.01	1.01	0.91
ME16CN21	CF/CM48C	1.01	1.02	0.93
ME16CN21	CF/CM60C	1.01	1.02	0.93
ME20DN21	CF/CM48D	1.01	1.02	0.93
ME20DN21	CF/CM60D	1.01	1.01	0.93
ME20DN21	CF/CM64D	1.01	1.02	0.91
MVC14DN21	CF/CM48D	1.01	0.97	0.93
MVC14DN21	CF/CM60D	1.01	1.00	0.93
MVC14DN21	CF/CM64D	1.01	0.98	0.91
MVC16CN21	CF/CM48C	1.01	1.02	0.93
MVC16CN21	CF/CM60C	1.01	1.09	0.91
MVC20DN21	CF/CM48D	1.01	1.02	0.93
MVC20DN21	CF/CM60D	1.01	1.04	0.93
MVC20DN21	CF/CM64D	1.01	1.01	0.91

FURNACE MULTIPLIERS- 4 TON

Furnaces	Coil	T.C.	S.C.	KW
TL8E080C16UH11	CF/CM/CU48C	1.01	1.03	0.95
TL8E080C16UH11	CF/CM/CU48D	1.01	1.03	0.97
TL8E080C16UH11	CF/CM/CU60C	1.01	1.03	0.97
TL8E080C16UH11	CF/CM/CU60D	1.01	1.04	0.95
TL8E080C16UH11	CF/CM64D	1.01	1.03	0.95
TL8E100C20UH11	CF/CM/CU48C	1.01	1.03	0.95
TL8E100C20UH11	CF/CM/CU48D	1.01	1.04	0.95
TL8E100C20UH11	CF/CM/CU60C	1.01	1.03	0.95
TL8E100C20UH11	CF/CM/CU60D	1.01	1.05	0.95
TL8E100C20UH11	CF/CM64D	1.01	1.04	0.93
TL9E080C16UH11	CF/CM/CU48C	1.01	1.03	0.97
TL9E080C16UH11	CF/CM/CU48D	1.01	1.03	0.97
TL9E080C16UH11	CF/CM/CU60C	1.01	1.03	0.97
TL9E080C16UH11	CF/CM/CU60D	1.01	1.05	0.97
TL9E080C16UH11	CF/CM64D	1.01	1.04	0.95
TL9E100C20UH11	CF/CM/CU48C	1.01	1.03	0.95
TL9E100C20UH11	CF/CM/CU48D	1.01	1.04	0.95
TL9E100C20UH11	CF/CM/CU60C	1.01	1.03	0.95
TL9E100C20UH11	CF/CM/CU60D	1.01	1.04	0.95

FURNACE MULTIPLIERS- 4 TON (Continued)

Furnaces	Coil	T.C.	S.C.	KW
TL9E100C20UH11	CF/CM64D	1.01	1.04	0.93
TM8E080B12MP11	CF/CM/CU48C	1.01	1.02	0.99
TM8E080C16MP11	CF/CM/CU48C	1.00	1.02	1.00
TM8E080C16MP11	CF/CM/CU48D	1.01	1.04	1.01
TM8E080C16MP11	CF/CM/CU60C	1.01	1.07	0.97
TM8E080C16MP11	CF/CM/CU60D	1.01	1.08	0.97
TM8E080C16MP11	CF/CM64D	1.01	1.08	0.97
TM8E080C20MP11	CF/CM/CU48C	1.01	1.05	0.95
TM8E080C20MP11	CF/CM/CU48D	1.01	1.04	0.95
TM8E080C20MP11	CF/CM/CU60C	1.01	1.04	0.95
TM8E080C20MP11	CF/CM/CU60D	1.01	1.05	0.95
TM8E080C20MP11	CF/CM64D	1.01	1.05	0.93
TM8E100C16MP11	CF/CM/CU48C	1.01	0.99	0.95
TM8E100C16MP11	CF/CM/CU48D	1.01	0.99	0.95
TM8E100C16MP11	CF/CM/CU60C	1.01	1.07	0.97
TM8E100C16MP11	CF/CM/CU60D	1.01	1.01	0.95
TM8E100C16MP11	CF/CM64D	1.01	1.01	0.93
TM8E100C20MP11	CF/CM/CU48C	1.01	1.04	0.95
TM8E100C20MP11	CF/CM/CU48D	1.01	1.05	0.95
TM8E100C20MP11	CF/CM/CU60C	1.01	1.03	0.95
TM8E100C20MP11	CF/CM/CU60D	1.01	1.05	0.95
TM8E100C20MP11	CF/CM64D	1.01	1.04	0.93
TM8E120C16MP11	CF/CM/CU48C	1.01	0.99	0.95
TM8E120C16MP11	CF/CM/CU48D	1.01	0.99	0.95
TM8E120C16MP11	CF/CM/CU60C	1.01	1.00	0.95
TM8E120C16MP11	CF/CM/CU60D	1.01	1.02	0.95
TM8E120C16MP11	CF/CM64D	1.01	1.01	0.93
TM8E120C20MP11	CF/CM/CU48C	1.01	1.04	0.95
TM8E120C20MP11	CF/CM/CU48D	1.01	1.04	0.95
TM8E120C20MP11	CF/CM/CU60C	1.01	1.03	0.95
TM8E120C20MP11	CF/CM/CU60D	1.01	1.01	0.93
TM8E120C20MP11	CF/CM64D	1.01	1.04	0.93
TM8E130D20MP11	CF/CM/CU48D	1.01	1.04	0.93
TM8E130D20MP11	CF/CM/CU60D	1.01	1.05	0.93
TM8E130D20MP11	CF/CM64D	1.01	1.04	0.91
TM9E080B12MP12	CF/CM/CU48C	1.01	1.02	0.99
TM9E080B12MP12	CF/CM/CU60C	1.00	1.00	1.00
TM9E080C20MP12	CF/CM/CU48C	1.01	1.03	0.95
TM9E080C20MP12	CF/CM/CU48D	1.01	1.04	0.95
TM9E080C20MP12	CF/CM/CU60C	1.01	1.03	0.95
TM9E080C20MP12	CF/CM/CU60D	1.01	1.04	0.95
TM9E080C20MP12	CF/CM64D	1.01	1.04	0.93
TM9E100C16MP12	CF/CM/CU60D	1.01	1.09	0.99
TM9E100C20MP12	CF/CM/CU48C	1.01	1.03	0.95
TM9E100C20MP12	CF/CM/CU48D	1.01	1.04	0.95
TM9E100C20MP12	CF/CM/CU60C	1.01	1.03	0.95
TM9E100C20MP12	CF/CM/CU60D	1.01	1.04	0.95
TM9E100C20MP12	CF/CM64D	1.01	1.04	0.93
TM9E120D20MP12	CF/CM/CU48D	1.01	1.05	0.95
TM9E120D20MP12	CF/CM/CU60D	1.01	1.05	0.95
TM9E120D20MP12	CF/CM64D	1.01	1.05	0.93
TM9V080C16MP11C	CF/CM/CU48C	0.99	0.98	0.93
TM9V080C16MP11C	CF/CM/CU48D	0.99	0.97	0.91
TM9V080C16MP11C	CF/CM/CU60C	0.99	0.98	0.93
TM9V080C16MP11C	CF/CM/CU60D	0.99	0.98	0.93

FURNACE MULTIPLIERS- 4 TON (Continued)

Furnaces	Coil	T.C.	S.C.	KW
TM9V080C16MP11C	CF/CM64D	0.99	0.98	0.91
TM9V080C16MP12C	CF/CM/CU48C	0.99	0.98	0.93
TM9V080C16MP12C	CF/CM/CU48D	0.99	0.97	0.91
TM9V080C16MP12C	CF/CM/CU60C	0.99	0.98	0.93
TM9V080C16MP12C	CF/CM/CU60D	0.99	0.98	0.93
TM9V080C16MP12C	CF/CM64D	0.99	0.98	0.91
TMLE080B12MP11	CF/CM/CU48C	1.01	1.02	0.99
TMLE080C16MP11	CF/CM/CU48C	1.00	1.02	1.00
TMLE080C16MP11	CF/CM/CU48D	1.01	1.04	1.01
TMLE080C16MP11	CF/CM/CU60C	1.01	1.07	0.97
TMLE080C16MP11	CF/CM/CU60D	1.01	1.08	0.97
TMLE080C16MP11	CF/CM64D	1.01	1.08	0.97
TMLE080C20MP11	CF/CM/CU48C	1.01	1.05	0.95
TMLE080C20MP11	CF/CM/CU48D	1.01	1.04	0.95
TMLE080C20MP11	CF/CM/CU60C	1.01	1.04	0.95
TMLE080C20MP11	CF/CM/CU60D	1.01	1.05	0.95
TMLE080C20MP11	CF/CM64D	1.01	1.05	0.93
TMLE100C16MP11	CF/CM/CU48C	1.01	0.99	0.95
TMLE100C16MP11	CF/CM/CU48D	1.01	0.99	0.95
TMLE100C16MP11	CF/CM/CU60C	1.01	1.07	0.97
TMLE100C16MP11	CF/CM/CU60D	1.01	1.01	0.95
TMLE100C16MP11	CF/CM64D	1.01	1.01	0.93
TMLE100C20MP11	CF/CM/CU48C	1.01	1.04	0.95
TMLE100C20MP11	CF/CM/CU48D	1.01	1.05	0.95
TMLE100C20MP11	CF/CM/CU60C	1.01	1.03	0.95
TMLE100C20MP11	CF/CM/CU60D	1.01	1.05	0.95

FURNACE MULTIPLIERS- 4 TON (Continued)

Furnaces	Coil	T.C.	S.C.	KW
TMLE100C20MP11	CF/CM64D	1.01	1.04	0.93
TMLE120C16MP11	CF/CM/CU48C	1.01	0.99	0.95
TMLE120C16MP11	CF/CM/CU48D	1.01	0.99	0.95
TMLE120C16MP11	CF/CM/CU60C	1.01	1.00	0.95
TMLE120C16MP11	CF/CM/CU60D	1.01	1.02	0.95
TMLE120C16MP11	CF/CM64D	1.01	1.01	0.93
TMLE120C20MP11	CF/CM/CU48C	1.01	1.04	0.95
TMLE120C20MP11	CF/CM/CU48D	1.01	1.04	0.95
TMLE120C20MP11	CF/CM/CU60C	1.01	1.03	0.95
TMLE120C20MP11	CF/CM/CU60D	1.01	1.01	0.93
TMLE120C20MP11	CF/CM64D	1.01	1.04	0.93
TMLE130D20MP11	CF/CM/CU48D	1.01	1.04	0.93
TMLE130D20MP11	CF/CM/CU60D	1.01	1.05	0.93
TMLE130D20MP11	CF/CM64D	1.01	1.04	0.91
TP9C080C16MP13C	CF/CM/CU48C	0.99	0.98	0.93
TP9C080C16MP13C	CF/CM/CU48D	0.99	0.97	0.91
TP9C080C16MP13C	CF/CM/CU60C	0.99	0.98	0.93
TP9C080C16MP13C	CF/CM/CU60D	0.99	0.98	0.93
TP9C080C16MP13C	CF/CM64D	0.99	0.98	0.91
YP9C080C16MP13C	CF/CM/CU48C	0.99	0.98	0.93
YP9C080C16MP13C	CF/CM/CU48D	0.99	0.97	0.91
YP9C080C16MP13C	CF/CM/CU60C	0.99	0.98	0.93
YP9C080C16MP13C	CF/CM/CU60D	0.99	0.98	0.93
YP9C080C16MP13C	CF/CM64D	0.99	0.98	0.91

PERFORMANCE DATA - 4 TON 575 Volt

CONDENSER-ONLY DATA (OUTDOOR UNIT)																		
MODEL	SATURATED SUCTION @ COMPRESSOR		Outdoor Ambient Temperature															
			55 °F		65 °F		75 °F		85 °F		95 °F		105 °F		115 °F		125 °F	
	T (°F)	P (PSIG)	MBH	KW	MBH	KW	MBH	KW	MBH	KW	MBH	KW	MBH	KW	MBH	KW	MBH	KW
TCD48B51S	35	107	47.6	2.49	45.2	2.77	42.7	3.08	40.2	3.43	37.6	3.83	34.9	4.30	32.0	4.82	29.0	5.43
	40	118	52.4	2.51	49.8	2.78	47.2	3.08	44.5	3.43	41.7	3.82	38.8	4.28	35.7	4.81	32.5	5.41
	45	130	57.4	2.53	54.7	2.80	51.9	3.09	49.1	3.43	46.1	3.82	43.0	4.28	39.7	4.80	36.3	5.38
	50	142	62.9	2.56	59.9	2.82	56.9	3.12	53.9	3.45	50.8	3.82	47.4	4.27	43.9	4.79	40.3	5.35
	55	156	68.7	2.59	65.5	2.85	62.3	3.14	58.9	3.47	55.6	3.83	52.2	4.27	48.4	4.78	44.5	5.33

Notes:

- For Outdoor Unit (Condenser) performance only. Data does not include the effects of air handler power or heat.
- Performance based on 15°F subcooling and 15°F superheat at the Outdoor Unit base valves.
 - Increase capacity by 1% for each 2°F increase in subcooling.
 - Decrease capacity by 1% for each 2°F decrease in subcooling.
- Maximum recommended condensing temperature is 140°F.

COOLING PERFORMANCE DATA																			
OUTDOOR UNIT MODEL NO.			TCD48B51S																
INDOOR COIL MODEL NO.			CF48CXA1																
AIR TEMP. ENTERING OUTDOOR UNIT (°F)	ID CFM	1400						1600						1800					
		ID DB (°F)	80	80	75	80	80	80	80	75	80	80	80	80	75	80	80		
		ID WB (°F)	57	62	62	67	72	57	62	62	67	72	57	62	62	67	72		
55	T.C.	44.9	47.6	47.5	49.3	49.9	45.1	47.8	47.5	49.4	49.9	45.3	48.0	47.6	49.5	49.9			
	S.C.	44.1	37.8	32.4	30.3	23.1	44.5	38.9	33.1	30.8	23.3	44.9	39.9	33.9	31.3	23.5			
	KW	2.62	2.66	2.66	2.68	2.70	2.70	2.74	2.74	2.76	2.78	2.77	2.81	2.81	2.84	2.86			
65	T.C.	44.6	47.3	47.0	49.6	50.9	45.4	47.6	47.4	49.9	51.0	46.2	48.0	47.7	50.1	51.1			
	S.C.	43.9	39.2	33.1	31.4	23.8	44.8	40.6	34.3	32.2	24.1	45.6	42.1	35.5	33.1	24.5			
	KW	2.89	2.92	2.92	2.95	2.97	2.97	3.00	3.00	3.03	3.05	3.05	3.07	3.07	3.10	3.13			
75	T.C.	44.4	46.9	46.6	49.9	51.9	45.7	47.4	47.2	50.3	52.1	47.1	47.9	47.8	50.7	52.3			
	S.C.	43.8	40.5	33.9	32.5	24.5	45.1	42.4	35.5	33.7	25.0	46.4	44.3	37.2	34.8	25.4			
	KW	3.17	3.18	3.18	3.22	3.23	3.24	3.26	3.26	3.29	3.31	3.32	3.33	3.33	3.36	3.39			
85	T.C.	42.6	44.8	44.6	48.4	51.2	44.0	45.5	45.3	48.9	51.5	45.5	46.2	46.0	49.4	51.8			
	S.C.	42.0	39.2	32.9	32.3	24.6	43.4	41.4	34.8	33.9	25.3	44.8	43.7	36.7	35.5	26.1			
	KW	3.56	3.59	3.57	3.59	3.61	3.63	3.66	3.64	3.67	3.68	3.70	3.73	3.71	3.74	3.76			
95	T.C.	40.8	42.7	42.6	46.9	50.4	42.3	43.5	43.4	47.5	50.9	43.9	44.4	44.2	48.1	51.3			
	S.C.	40.2	37.8	32.0	32.2	24.7	41.7	40.5	34.1	34.2	25.7	43.3	43.2	36.2	36.2	26.7			
	KW	3.96	3.99	3.96	3.97	3.98	4.02	4.05	4.03	4.04	4.05	4.08	4.12	4.10	4.12	4.13			
105	T.C.	38.9	40.2	40.1	44.1	47.8	40.3	41.1	40.8	44.6	48.2	41.7	42.0	41.5	45.2	48.7			
	S.C.	38.5	36.6	30.9	31.0	23.8	39.8	38.9	32.9	33.0	24.8	41.2	41.2	35.0	35.0	25.8			
	KW	4.68	4.73	4.73	4.68	4.64	4.73	4.77	4.79	4.74	4.71	4.78	4.82	4.84	4.80	4.78			
115	T.C.	37.2	37.8	37.6	41.4	45.2	38.4	38.8	38.3	41.9	45.6	39.7	39.8	38.9	42.3	46.1			
	S.C.	36.9	35.5	29.9	29.9	22.9	38.0	37.3	31.8	31.8	23.9	39.1	39.2	33.7	33.8	24.9			
	KW	5.38	5.44	5.47	5.37	5.27	5.42	5.47	5.52	5.41	5.34	5.45	5.50	5.56	5.46	5.41			
125	T.C.	35.4	35.4	35.2	38.7	42.6	36.5	36.4	35.7	39.1	43.0	37.6	37.5	36.3	39.5	43.5			
	S.C.	35.2	34.3	28.9	28.8	22.0	36.1	35.8	30.7	30.7	23.0	37.0	37.2	32.5	32.6	24.0			
	KW	6.09	6.16	6.21	6.07	5.91	6.10	6.17	6.25	6.09	5.97	6.12	6.18	6.29	6.12	6.04			

ALL CAPACITIES INCLUDE INDOOR FAN HEAT. KW VALUES ARE FOR THE SYSTEM (OUTDOOR + INDOOR).

Green shaded cells are ACCA (TVA) conditions.

Blue shaded cells are AHRI conditions.

Multipliers for determining the performance with other indoor sections.

NOTE: For dry bulb temperatures different than those listed (between 73-87 °F), sensible capacity increases by 1060 BTUH per 1000 CFM per degree above the listed temperature and decreases by 1060 BTUH per 1000 CFM per degree below the listed temperature.

COIL MULTIPLIERS- 4 TON

Air Handler	Coil	T.C.	S.C.	KW
–	CF/CM/CU48C	1.00	1.00	1.00
–	CF/CM/CU48D	1.00	1.01	1.00
–	CF/CM/CU60C	1.01	1.05	0.97
–	CF/CM/CU60D	1.01	1.05	0.99
–	CF/CM64D	1.01	1.06	0.97
AE48CX21	–	0.99	0.99	0.91
AE48DX21	–	0.99	0.99	0.91
AE60CX21	–	1.00	1.01	0.92
AE60DX21	–	1.01	1.01	0.91
AP48CX21	–	1.01	0.98	1.01
AP48DX21	–	1.00	0.99	1.00
AP60CX21	–	1.01	1.05	0.99
AP60DX22	–	1.01	1.05	1.01
AVC48CX21	–	1.01	0.99	0.95
AVC48DX21	–	1.01	1.00	0.93
AVC60CX21	–	1.01	1.00	0.93
AVC60DX21	–	1.01	1.03	0.93
ME14DN21	CF/CM60D	1.01	1.02	0.93
ME14DN21	CF/CM64D	1.01	0.99	0.91
ME16CN21	CF/CM48C	1.01	1.02	0.93
ME16CN21	CF/CM60C	1.01	1.03	0.93
ME20DN21	CF/CM48D	1.01	1.02	0.93
ME20DN21	CF/CM60D	1.01	1.01	0.93
ME20DN21	CF/CM64D	1.01	1.02	0.91
MVC14DN21	CF/CM48D	1.01	0.97	0.93
MVC14DN21	CF/CM60D	1.01	0.98	0.93
MVC14DN21	CF/CM64D	1.01	0.98	0.91
MVC16CN21	CF/CM48C	1.01	1.01	0.93
MVC16CN21	CF/CM60C	1.01	1.08	0.91
MVC20DN21	CF/CM48D	1.01	1.02	0.93
MVC20DN21	CF/CM60D	1.01	1.03	0.93
MVC20DN21	CF/CM64D	1.01	0.99	0.91

FURNACE MULTIPLIERS- 4 TON

Furnaces	Coil	T.C.	S.C.	KW
TL8E080C16UH11	CF/CM/CU48C	1.01	1.03	0.95
TL8E080C16UH11	CF/CM/CU48D	1.01	1.03	0.97
TL8E080C16UH11	CF/CM/CU60C	1.01	1.03	0.97
TL8E080C16UH11	CF/CM/CU60D	1.01	1.04	0.95
TL8E080C16UH11	CF/CM64D	1.01	1.03	0.95
TL8E100C20UH11	CF/CM/CU48C	1.01	1.03	0.95
TL8E100C20UH11	CF/CM/CU48D	1.01	1.04	0.95
TL8E100C20UH11	CF/CM/CU60C	1.01	1.03	0.95
TL8E100C20UH11	CF/CM/CU60D	1.01	1.05	0.95
TL8E100C20UH11	CF/CM64D	1.01	1.04	0.93
TL9E080C16UH11	CF/CM/CU48C	1.01	1.03	0.97
TL9E080C16UH11	CF/CM/CU48D	1.01	1.03	0.97
TL9E080C16UH11	CF/CM/CU60C	1.01	1.03	0.97
TL9E080C16UH11	CF/CM/CU60D	1.01	1.05	0.97
TL9E080C16UH11	CF/CM64D	1.01	1.04	0.95
TL9E100C20UH11	CF/CM/CU48C	1.01	1.03	0.95
TL9E100C20UH11	CF/CM/CU48D	1.01	1.04	0.95
TL9E100C20UH11	CF/CM/CU60C	1.01	1.03	0.95
TL9E100C20UH11	CF/CM/CU60D	1.01	1.04	0.95

FURNACE MULTIPLIERS- 4 TON (Continued)

Furnaces	Coil	T.C.	S.C.	KW
TL9E100C20UH11	CF/CM64D	1.01	1.04	0.93
TM8E080B12MP11	CF/CM/CU48C	1.01	1.02	0.99
TM8E080C16MP11	CF/CM/CU48C	1.00	1.02	1.00
TM8E080C16MP11	CF/CM/CU48D	1.01	1.04	1.01
TM8E080C16MP11	CF/CM/CU60C	1.01	1.07	0.97
TM8E080C16MP11	CF/CM/CU60D	1.01	1.08	0.97
TM8E080C16MP11	CF/CM64D	1.01	1.08	0.97
TM8E080C20MP11	CF/CM/CU48C	1.01	1.05	0.95
TM8E080C20MP11	CF/CM/CU48D	1.01	1.04	0.95
TM8E080C20MP11	CF/CM/CU60C	1.01	1.04	0.95
TM8E080C20MP11	CF/CM/CU60D	1.01	1.05	0.95
TM8E080C20MP11	CF/CM64D	1.01	1.05	0.93
TM8E100C16MP11	CF/CM/CU48C	1.01	0.99	0.95
TM8E100C16MP11	CF/CM/CU48D	1.01	0.99	0.95
TM8E100C16MP11	CF/CM/CU60C	1.01	1.07	0.97
TM8E100C16MP11	CF/CM/CU60D	1.01	1.01	0.95
TM8E100C16MP11	CF/CM64D	1.01	1.01	0.93
TM8E100C20MP11	CF/CM/CU48C	1.01	1.04	0.95
TM8E100C20MP11	CF/CM/CU48D	1.01	1.05	0.95
TM8E100C20MP11	CF/CM/CU60C	1.01	1.03	0.95
TM8E100C20MP11	CF/CM/CU60D	1.01	1.05	0.95
TM8E100C20MP11	CF/CM64D	1.01	1.04	0.93
TM8E120C16MP11	CF/CM/CU48C	1.01	0.99	0.95
TM8E120C16MP11	CF/CM/CU48D	1.01	0.99	0.95
TM8E120C16MP11	CF/CM/CU60C	1.01	1.00	0.95
TM8E120C16MP11	CF/CM/CU60D	1.01	1.02	0.95
TM8E120C16MP11	CF/CM64D	1.01	1.01	0.93
TM8E120C20MP11	CF/CM/CU48C	1.01	1.04	0.95
TM8E120C20MP11	CF/CM/CU48D	1.01	1.04	0.95
TM8E120C20MP11	CF/CM/CU60C	1.01	1.03	0.95
TM8E120C20MP11	CF/CM/CU60D	1.01	1.01	0.93
TM8E120C20MP11	CF/CM64D	1.01	1.04	0.93
TM8E130D20MP11	CF/CM/CU48D	1.01	1.04	0.93
TM8E130D20MP11	CF/CM/CU60D	1.01	1.05	0.93
TM8E130D20MP11	CF/CM64D	1.01	1.04	0.91
TM9E080B12MP12	CF/CM/CU48C	1.01	1.02	0.99
TM9E080B12MP12	CF/CM/CU60C	1.00	1.00	1.00
TM9E080C20MP12	CF/CM/CU48C	1.01	1.03	0.95
TM9E080C20MP12	CF/CM/CU48D	1.01	1.04	0.95
TM9E080C20MP12	CF/CM/CU60C	1.01	1.03	0.95
TM9E080C20MP12	CF/CM/CU60D	1.01	1.04	0.95
TM9E080C20MP12	CF/CM64D	1.01	1.04	0.93
TM9E100C16MP12	CF/CM/CU60D	1.01	1.09	0.99
TM9E100C20MP12	CF/CM/CU48C	1.01	1.03	0.95
TM9E100C20MP12	CF/CM/CU48D	1.01	1.04	0.95
TM9E100C20MP12	CF/CM/CU60C	1.01	1.03	0.95
TM9E100C20MP12	CF/CM/CU60D	1.01	1.04	0.95
TM9E100C20MP12	CF/CM64D	1.01	1.04	0.93
TM9E120D20MP12	CF/CM/CU48D	1.01	1.05	0.95
TM9E120D20MP12	CF/CM/CU60D	1.01	1.05	0.95
TM9E120D20MP12	CF/CM64D	1.01	1.05	0.93
TM9V080C16MP11C	CF/CM/CU48C	0.99	0.98	0.93
TM9V080C16MP11C	CF/CM/CU48D	0.99	0.97	0.91
TM9V080C16MP11C	CF/CM/CU60C	0.99	0.98	0.93
TM9V080C16MP11C	CF/CM/CU60D	0.99	0.98	0.93

FURNACE MULTIPLIERS- 4 TON (Continued)

Furnaces	Coil	T.C.	S.C.	KW
TM9V080C16MP11C	CF/CM64D	0.99	0.98	0.91
TM9V080C16MP12C	CF/CM/CU48C	0.99	0.98	0.93
TM9V080C16MP12C	CF/CM/CU48D	0.99	0.97	0.91
TM9V080C16MP12C	CF/CM/CU60C	0.99	0.98	0.93
TM9V080C16MP12C	CF/CM/CU60D	0.99	0.98	0.93
TM9V080C16MP12C	CF/CM64D	0.99	0.98	0.91
TMLE080B12MP11	CF/CM/CU48C	1.01	1.02	0.99
TMLE080C16MP11	CF/CM/CU48C	1.00	1.02	1.00
TMLE080C16MP11	CF/CM/CU48D	1.01	1.04	1.01
TMLE080C16MP11	CF/CM/CU60C	1.01	1.07	0.97
TMLE080C16MP11	CF/CM/CU60D	1.01	1.08	0.97
TMLE080C16MP11	CF/CM64D	1.01	1.08	0.97
TMLE080C20MP11	CF/CM/CU48C	1.01	1.05	0.95
TMLE080C20MP11	CF/CM/CU48D	1.01	1.04	0.95
TMLE080C20MP11	CF/CM/CU60C	1.01	1.04	0.95
TMLE080C20MP11	CF/CM/CU60D	1.01	1.05	0.95
TMLE080C20MP11	CF/CM64D	1.01	1.05	0.93
TMLE100C16MP11	CF/CM/CU48C	1.01	0.99	0.95
TMLE100C16MP11	CF/CM/CU48D	1.01	0.99	0.95
TMLE100C16MP11	CF/CM/CU60C	1.01	1.07	0.97
TMLE100C16MP11	CF/CM/CU60D	1.01	1.01	0.95
TMLE100C16MP11	CF/CM64D	1.01	1.01	0.93
TMLE100C20MP11	CF/CM/CU48C	1.01	1.04	0.95
TMLE100C20MP11	CF/CM/CU48D	1.01	1.05	0.95
TMLE100C20MP11	CF/CM/CU60C	1.01	1.03	0.95
TMLE100C20MP11	CF/CM/CU60D	1.01	1.05	0.95

FURNACE MULTIPLIERS- 4 TON (Continued)

Furnaces	Coil	T.C.	S.C.	KW
TMLE100C20MP11	CF/CM64D	1.01	1.04	0.93
TMLE120C16MP11	CF/CM/CU48C	1.01	0.99	0.95
TMLE120C16MP11	CF/CM/CU48D	1.01	0.99	0.95
TMLE120C16MP11	CF/CM/CU60C	1.01	1.00	0.95
TMLE120C16MP11	CF/CM/CU60D	1.01	1.02	0.95
TMLE120C16MP11	CF/CM64D	1.01	1.01	0.93
TMLE120C20MP11	CF/CM/CU48C	1.01	1.04	0.95
TMLE120C20MP11	CF/CM/CU48D	1.01	1.04	0.95
TMLE120C20MP11	CF/CM/CU60C	1.01	1.03	0.95
TMLE120C20MP11	CF/CM/CU60D	1.01	1.01	0.93
TMLE120C20MP11	CF/CM64D	1.01	1.04	0.93
TMLE130D20MP11	CF/CM/CU48D	1.01	1.04	0.93
TMLE130D20MP11	CF/CM/CU60D	1.01	1.05	0.93
TMLE130D20MP11	CF/CM64D	1.01	1.04	0.91
TP9C080C16MP13C	CF/CM/CU48C	0.99	0.98	0.93
TP9C080C16MP13C	CF/CM/CU48D	0.99	0.97	0.91
TP9C080C16MP13C	CF/CM/CU60C	0.99	0.98	0.93
TP9C080C16MP13C	CF/CM/CU60D	0.99	0.98	0.93
TP9C080C16MP13C	CF/CM64D	0.99	0.98	0.91
YP9C080C16MP13C	CF/CM/CU48C	0.99	0.98	0.93
YP9C080C16MP13C	CF/CM/CU48D	0.99	0.97	0.91
YP9C080C16MP13C	CF/CM/CU60C	0.99	0.98	0.93
YP9C080C16MP13C	CF/CM/CU60D	0.99	0.98	0.93
YP9C080C16MP13C	CF/CM64D	0.99	0.98	0.91

PERFORMANCE DATA - 5 TON 230 Volt

CONDENSER-ONLY DATA (OUTDOOR UNIT)																		
MODEL	SATURATED SUCTION @ COMPRESSOR		Outdoor Ambient Temperature															
			55 °F		65 °F		75 °F		85 °F		95 °F		105 °F		115 °F		125 °F	
	T (°F)	P (PSIG)	MBH	KW	MBH	KW	MBH	KW	MBH	KW	MBH	KW	MBH	KW	MBH	KW	MBH	KW
TCD60B31S	35	107	54.6	3.04	51.8	3.36	49.1	3.72	46.3	4.13	43.4	4.61	40.4	5.16	37.2	5.77	33.7	6.48
	40	118	60.1	3.07	57.1	3.38	54.1	3.74	51.1	4.14	48.0	4.61	44.7	5.16	41.2	5.78	37.5	6.48
	45	130	65.9	3.11	62.7	3.41	59.5	3.75	56.3	4.16	52.9	4.61	49.3	5.16	45.6	5.78	41.6	6.47
	50	142	72.2	3.15	68.7	3.44	65.3	3.78	61.8	4.17	58.1	4.62	54.3	5.16	50.2	5.79	45.9	6.47
	55	156	78.7	3.21	75.1	3.49	71.4	3.82	67.6	4.19	63.7	4.64	59.5	5.17	55.1	5.80	50.6	6.46

Notes:

- For Outdoor Unit (Condenser) performance only. Data does not include the effects of air handler power or heat.
- Performance based on 15°F subcooling and 15°F superheat at the Outdoor Unit base valves.
 - Increase capacity by 1% for each 2°F increase in subcooling.
 - Decrease capacity by 1% for each 2°F decrease in subcooling.
- Maximum recommended condensing temperature is 140°F.

COOLING PERFORMANCE DATA																
OUTDOOR UNIT MODEL NO.		TCD60B31S														
INDOOR COIL MODEL NO.		CF60CXA1														
AIR TEMP. ENTERING OUTDOOR UNIT (°F)	ID CFM	1535					1735					1935				
	ID DB (°F)	80	80	75	80	80	80	80	75	80	80	80	80	75	80	80
	ID WB (°F)	57	62	62	67	72	57	62	62	67	72	57	62	62	67	72
55	T.C.	55.3	58.7	59.6	63.7	66.8	57.5	59.6	60.2	64.3	67.1	59.7	60.5	60.7	65.0	67.5
	S.C.	55.3	49.6	44.3	43.0	33.6	57.5	52.4	46.2	44.3	34.5	59.7	55.2	48.1	45.7	35.4
	KW	3.10	3.14	3.13	3.15	3.17	3.19	3.22	3.21	3.24	3.25	3.27	3.30	3.29	3.32	3.33
65	T.C.	54.1	57.2	57.2	62.0	65.7	56.1	58.2	58.0	62.9	66.4	58.0	59.1	58.9	63.8	67.1
	S.C.	54.1	49.2	42.6	41.9	33.0	56.1	52.1	44.9	43.7	34.1	58.0	54.9	47.2	45.5	35.1
	KW	3.43	3.46	3.45	3.47	3.48	3.51	3.54	3.53	3.55	3.56	3.59	3.62	3.61	3.63	3.64
75	T.C.	52.9	55.6	54.7	60.3	64.7	54.6	56.7	55.9	61.5	65.7	56.4	57.8	57.1	62.6	66.8
	S.C.	52.9	48.9	40.9	40.9	32.5	54.6	51.7	43.6	43.2	33.7	56.4	54.6	46.3	45.4	34.8
	KW	3.76	3.78	3.77	3.78	3.78	3.84	3.86	3.85	3.86	3.86	3.91	3.93	3.92	3.94	3.94
85	T.C.	50.4	53.2	52.1	57.9	62.4	52.1	54.2	53.4	58.7	63.3	53.7	55.1	54.7	59.6	64.1
	S.C.	50.4	47.4	39.6	39.9	31.5	52.1	50.2	42.3	42.1	32.6	53.7	52.9	45.0	44.2	33.8
	KW	4.22	4.25	4.25	4.24	4.23	4.30	4.32	4.31	4.31	4.30	4.37	4.39	4.38	4.39	4.38
95	T.C.	47.9	50.8	49.6	55.4	60.2	49.5	51.6	50.9	56.0	60.8	51.1	52.5	52.3	56.6	61.4
	S.C.	47.9	46.0	38.3	38.9	30.5	49.5	48.6	41.0	41.0	31.6	51.1	51.2	43.7	43.1	32.7
	KW	4.69	4.71	4.72	4.70	4.67	4.75	4.78	4.78	4.77	4.75	4.82	4.84	4.84	4.83	4.82
105	T.C.	46.0	47.7	46.1	52.4	57.0	47.5	48.6	47.5	53.0	57.4	49.0	49.6	48.8	53.6	57.8
	S.C.	46.0	44.5	36.4	37.6	29.1	47.5	46.9	39.0	39.7	30.2	49.0	49.3	41.7	41.8	31.4
	KW	5.49	5.51	5.51	5.47	5.41	5.52	5.56	5.57	5.53	5.48	5.56	5.61	5.63	5.58	5.56
115	T.C.	44.1	44.7	42.8	49.5	53.8	45.5	45.7	44.1	50.1	54.0	46.9	46.7	45.4	50.7	54.2
	S.C.	44.1	43.0	34.6	36.3	27.7	45.5	45.3	37.1	38.4	28.9	46.9	46.7	39.7	40.5	30.0
	KW	6.26	6.29	6.28	6.22	6.13	6.27	6.32	6.34	6.26	6.20	6.28	6.36	6.39	6.31	6.28
125	T.C.	42.3	41.8	39.4	46.5	50.7	43.6	42.8	40.7	47.2	50.7	44.9	43.9	42.0	47.8	50.7
	S.C.	42.3	41.6	32.7	35.0	26.4	43.6	42.8	35.2	37.1	27.5	44.9	43.9	37.8	39.3	28.7
	KW	7.03	7.07	7.05	6.96	6.84	7.02	7.08	7.10	7.00	6.92	7.00	7.10	7.15	7.04	7.00

ALL CAPACITIES INCLUDE INDOOR FAN HEAT. KW VALUES ARE FOR THE SYSTEM (OUTDOOR + INDOOR).

Green shaded cells are ACCA (TVA) conditions.

Blue shaded cells are AHRI conditions.

Multipliers for determining the performance with other indoor sections.

NOTE: For dry bulb temperatures different than those listed (between 73-87 °F), sensible capacity increases by 1060 BTUH per 1000 CFM per degree above the listed temperature and decreases by 1060 BTUH per 1000 CFM per degree below the listed temperature.

COIL MULTIPLIERS- 5 TON

Air Handler	Coil	T.C.	S.C.	KW
-	CF/CM/CU60C	1.00	1.00	1.00
-	CF/CM/CU60D	1.00	1.02	1.00
-	CF/CM64D	1.02	1.02	1.02
AE60CX21	-	1.00	0.98	0.98
AE60DX21	-	1.03	1.03	0.98
AP60CX21	-	0.98	0.97	1.00
AP60DX22	-	0.98	0.98	1.00
AVC60CX21	-	1.01	1.01	0.99
AVC60DX21	-	1.03	1.00	0.98
ME16CN21	CF/CM60C	1.00	0.98	0.96
ME20DN21	CF/CM60D	1.01	1.00	0.97
ME20DN21	CF/CM64D	1.02	0.99	0.98
MVC16CN21	CF/CM60C	1.02	1.01	0.94
MVC20DN21	CF/CM60D	1.00	0.99	0.98
MVC20DN21	CF/CM64D	1.02	0.99	0.98

FURNACE MULTIPLIERS- 5 TON

Furnaces	Coil	T.C.	S.C.	KW
TL8E080C16UH11	CF/CM/CU60D	0.99	0.99	1.01
TL8E080C16UH11	CF/CM64D	1.00	0.99	1.00
TL8E100C20UH11	CF/CM/CU60C	0.98	0.98	1.00
TL8E100C20UH11	CF/CM/CU60D	1.00	1.01	1.00
TL8E100C20UH11	CF/CM64D	1.02	1.01	1.00
TL9E100C20UH11	CF/CM/CU60C	0.97	0.96	0.99
TL9E100C20UH11	CF/CM/CU60D	1.00	1.01	1.00
TL9E100C20UH11	CF/CM64D	1.02	1.01	1.02
TM8E080C16MP11	CF/CM/CU60D	0.99	1.00	1.01
TM8E080C16MP11	CF/CM64D	1.01	1.00	1.01
TM8E080C20MP11	CF/CM/CU60C	0.98	0.96	1.00
TM8E080C20MP11	CF/CM/CU60D	0.99	0.99	0.99
TM8E080C20MP11	CF/CM64D	1.01	1.00	0.99
TM8E100C16MP11	CF/CM/CU60D	0.99	1.00	1.01
TM8E100C16MP11	CF/CM64D	1.01	1.00	1.01
TM8E100C20MP11	CF/CM/CU60D	0.99	0.98	0.99
TM8E100C20MP11	CF/CM64D	1.01	0.99	0.99
TM8E120C16MP11	CF/CM/CU60D	0.99	1.00	1.01
TM8E120C16MP11	CF/CM64D	1.01	1.00	1.01
TM8E120C20MP11	CF/CM/CU60D	0.99	0.98	0.99
TM8E120C20MP11	CF/CM64D	1.01	0.99	0.99
TM8E130D20MP11	CF/CM/CU60D	1.00	1.01	1.00
TM8E130D20MP11	CF/CM64D	1.02	1.02	1.00
TM8V080C16MP11C	CF/CM64D	1.01	0.98	1.01
TM8V080C16MP12C	CF/CM/CU60D	0.99	1.01	1.00
TM8V100C16MP11C	CF/CM64D	1.01	0.98	1.01
TM8V100C16MP12C	CF/CM/CU60D	0.99	1.01	1.00
TM8V100C20MP11C	CF/CM/CU60D	0.99	0.98	1.01
TM8V100C20MP12C	CF/CM/CU60C	0.98	1.00	0.98
TM8V100C20MP12C	CF/CM/CU60D	0.99	1.00	0.97
TM8V100C20MP12C	CF/CM64D	0.98	0.96	0.98
TM8V120C20MP11C	CF/CM/CU60D	0.99	0.98	1.01
TM8V120C20MP12C	CF/CM/CU60C	0.98	1.00	0.98
TM8V120C20MP12C	CF/CM/CU60D	0.99	1.00	0.97
TM8V120C20MP12C	CF/CM64D	0.98	0.96	0.98
TM8X080C16MP11	CF/CM/CU60D	0.96	0.95	0.97

FURNACE MULTIPLIERS- 5 TON (Continued)

Furnaces	Coil	T.C.	S.C.	KW
TM8X080C16MP11	CF/CM64D	0.98	0.95	1.00
TM8X100C16MP11	CF/CM/CU60D	0.96	0.95	0.97
TM8X100C16MP11	CF/CM64D	0.98	0.95	1.00
TM8X100C20MP11	CF/CM/CU60C	0.97	0.96	0.97
TM8X100C20MP11	CF/CM/CU60D	1.00	0.99	1.00
TM8X100C20MP11	CF/CM64D	0.98	0.96	0.96
TM8X120C20MP11	CF/CM/CU60C	0.97	0.96	0.97
TM8X120C20MP11	CF/CM/CU60D	1.00	0.99	1.00
TM8X120C20MP11	CF/CM64D	0.98	0.96	0.96
TM8Y080C16MP11	CF/CM/CU60D	0.96	0.95	0.97
TM8Y080C16MP11	CF/CM64D	0.98	0.95	1.00
TM8Y100C16MP11	CF/CM/CU60D	0.96	0.95	0.97
TM8Y100C16MP11	CF/CM64D	0.98	0.95	1.00
TM8Y100C20MP11	CF/CM/CU60C	0.97	0.96	0.97
TM8Y100C20MP11	CF/CM/CU60D	1.00	0.99	1.00
TM8Y100C20MP11	CF/CM64D	0.98	0.96	0.96
TM8Y120C20MP11	CF/CM/CU60C	0.97	0.96	0.97
TM8Y120C20MP11	CF/CM/CU60D	1.00	0.99	1.00
TM8Y120C20MP11	CF/CM64D	0.98	0.96	0.96
TM9E080C20MP12	CF/CM/CU60D	0.99	0.98	0.99
TM9E080C20MP12	CF/CM64D	1.03	1.06	1.03
TM9E100C20MP11	CF/CM/CU60C	0.96	0.95	0.97
TM9E100C20MP11	CF/CM/CU60D	1.00	0.98	1.00
TM9E100C20MP11	CF/CM64D	0.98	0.96	1.00
TM9E100C20MP12	CF/CM/CU60D	0.99	0.98	0.99
TM9E100C20MP12	CF/CM64D	1.01	0.99	0.99
TM9E120D20MP11	CF/CM/CU60D	1.00	0.98	1.00
TM9E120D20MP11	CF/CM64D	0.99	0.98	1.01
TM9E120D20MP12	CF/CM/CU60D	1.00	1.01	1.00
TM9E120D20MP12	CF/CM64D	1.02	1.01	1.02
TM9V080C16MP11C	CF/CM/CU60C	0.99	0.98	0.99
TM9V080C16MP11C	CF/CM64D	1.01	0.98	1.01
TM9V100C16MP11C	CF/CM/CU60C	0.97	0.98	0.99
TM9V100C16MP11C	CF/CM64D	1.00	1.00	1.00
TM9V100C16MP12C	CF/CM/CU60C	0.97	0.98	0.99
TM9V100C16MP12C	CF/CM/CU60D	0.98	0.99	0.98
TM9V100C16MP12C	CF/CM64D	1.00	1.00	1.00
TM9V100C20MP11C	CF/CM64D	1.00	1.00	1.02
TM9V100C20MP12C	CF/CM/CU60C	0.97	0.98	0.99
TM9V100C20MP12C	CF/CM64D	1.00	1.00	1.02
TM9V120D20MP11C	CF/CM/CU60D	0.98	0.99	0.98
TM9V120D20MP11C	CF/CM64D	1.00	0.99	1.02
TM9V120D20MP12C	CF/CM/CU60D	0.98	0.99	0.98
TM9V120D20MP12C	CF/CM64D	1.00	0.99	1.02
TM9Y100C20MP11	CF/CM/CU60C	0.96	0.95	0.97
TM9Y100C20MP11	CF/CM/CU60D	1.00	0.98	1.00
TM9Y100C20MP11	CF/CM64D	0.98	0.96	1.00
TM9Y120D20MP11	CF/CM/CU60D	1.00	0.98	1.00
TM9Y120D20MP11	CF/CM64D	0.99	0.98	1.01
TMLE080C16MP11	CF/CM/CU60D	0.99	1.00	1.01
TMLE080C16MP11	CF/CM64D	1.01	1.00	1.01
TMLE080C20MP11	CF/CM/CU60C	0.98	0.96	1.00
TMLE080C20MP11	CF/CM/CU60D	0.99	0.99	0.99
TMLE080C20MP11	CF/CM64D	1.01	1.00	0.99
TMLE100C16MP11	CF/CM/CU60D	0.99	1.00	1.01

FURNACE MULTIPLIERS- 5 TON (Continued)

Furnaces	Coil	T.C.	S.C.	KW
TMLE100C16MP11	CF/CM64D	1.01	1.00	1.01
TMLE100C20MP11	CF/CM/CU60D	0.99	0.98	0.99
TMLE100C20MP11	CF/CM64D	1.01	0.99	0.99
TMLE120C16MP11	CF/CM/CU60D	0.99	1.00	1.01
TMLE120C16MP11	CF/CM64D	1.01	1.00	1.01
TMLE120C20MP11	CF/CM/CU60D	0.99	0.98	0.99
TMLE120C20MP11	CF/CM64D	1.01	0.99	0.99
TMLE130D20MP11	CF/CM/CU60D	1.00	1.01	1.00
TMLE130D20MP11	CF/CM64D	1.02	1.02	1.00
TMLV080C16MP11C	CF/CM64D	1.01	0.98	1.01
TMLV080C16MP12C	CF/CM/CU60D	0.99	1.01	1.00
TMLV100C16MP11C	CF/CM64D	1.01	0.98	1.01
TMLV100C16MP12C	CF/CM/CU60D	0.99	1.01	1.00
TMLV100C20MP11C	CF/CM/CU60D	0.99	0.98	1.01
TMLV100C20MP12C	CF/CM/CU60C	0.98	1.00	0.98
TMLV100C20MP12C	CF/CM/CU60D	0.99	1.00	0.97
TMLV100C20MP12C	CF/CM64D	0.98	0.96	0.98
TMLV120C20MP11C	CF/CM/CU60D	0.99	0.98	1.01
TMLV120C20MP12C	CF/CM/CU60C	0.98	1.00	0.98
TMLV120C20MP12C	CF/CM/CU60D	0.99	1.00	0.97
TMLV120C20MP12C	CF/CM64D	0.98	0.96	0.98
TMLX080C16MP11	CF/CM/CU60D	0.96	0.95	0.97
TMLX080C16MP11	CF/CM64D	0.98	0.95	1.00
TMLX100C16MP11	CF/CM/CU60D	0.96	0.95	0.97
TMLX100C16MP11	CF/CM64D	0.98	0.95	1.00
TMLX100C20MP11	CF/CM/CU60C	0.97	0.96	0.97
TMLX100C20MP11	CF/CM/CU60D	1.00	0.99	1.00
TMLX100C20MP11	CF/CM64D	0.98	0.96	0.96
TMLX120C20MP11	CF/CM/CU60C	0.97	0.96	0.97
TMLX120C20MP11	CF/CM/CU60D	1.00	0.99	1.00
TMLX120C20MP11	CF/CM64D	0.98	0.96	0.96
TP9C080C16MP12C	CF/CM/CU60C	0.99	0.98	0.99
TP9C080C16MP12C	CF/CM64D	1.01	0.98	1.01
TP9C100C16MP12C	CF/CM/CU60C	0.97	0.98	0.99
TP9C100C16MP12C	CF/CM64D	1.00	1.00	1.00
TP9C100C16MP13C	CF/CM/CU60C	0.97	0.98	0.99
TP9C100C16MP13C	CF/CM/CU60D	0.98	0.99	0.98
TP9C100C16MP13C	CF/CM64D	1.00	1.00	1.00
TP9C100C20MP12C	CF/CM64D	1.00	1.00	1.02
TP9C100C20MP13C	CF/CM/CU60C	0.97	0.98	0.99
TP9C100C20MP13C	CF/CM64D	1.00	1.00	1.02
TP9C120D20MP12C	CF/CM/CU60D	0.98	0.99	0.98
TP9C120D20MP12C	CF/CM64D	1.00	0.99	1.02

FURNACE MULTIPLIERS- 5 TON (Continued)

Furnaces	Coil	T.C.	S.C.	KW
TP9C120D20MP13C	CF/CM/CU60D	0.98	0.99	0.98
TP9C120D20MP13C	CF/CM64D	1.00	0.99	1.02
TPLC080C16MP12C	CF/CM64D	1.01	0.98	1.01
TPLC080C16MP13C	CF/CM/CU60D	0.99	1.01	1.00
TPLC100C16MP12C	CF/CM64D	1.01	0.98	1.01
TPLC100C16MP13C	CF/CM/CU60D	0.99	1.01	1.00
TPLC100C20MP12C	CF/CM/CU60D	0.99	0.98	1.01
TPLC100C20MP13C	CF/CM/CU60C	0.98	1.00	0.98
TPLC100C20MP13C	CF/CM/CU60D	0.99	1.00	0.97
TPLC100C20MP13C	CF/CM64D	0.98	0.96	0.98
TPLC120C20MP12C	CF/CM/CU60D	0.99	0.98	1.01
TPLC120C20MP13C	CF/CM/CU60C	0.98	1.00	0.98
TPLC120C20MP13C	CF/CM/CU60D	0.99	1.00	0.97
TPLC120C20MP13C	CF/CM64D	0.98	0.96	0.98
YP9C080C16MP12C	CF/CM/CU60C	0.99	0.98	0.99
YP9C080C16MP12C	CF/CM64D	1.01	0.98	1.01
YP9C100C16MP12C	CF/CM/CU60C	0.97	0.98	0.99
YP9C100C16MP12C	CF/CM64D	1.00	1.00	1.00
YP9C100C16MP13C	CF/CM/CU60C	0.97	0.98	0.99
YP9C100C16MP13C	CF/CM/CU60D	0.98	0.99	0.98
YP9C100C16MP13C	CF/CM64D	1.00	1.00	1.00
YP9C100C20MP12C	CF/CM64D	1.00	1.00	1.02
YP9C100C20MP13C	CF/CM/CU60C	0.97	0.98	0.99
YP9C100C20MP13C	CF/CM64D	1.00	1.00	1.02
YP9C120D20MP12C	CF/CM/CU60D	0.98	0.99	0.98
YP9C120D20MP12C	CF/CM64D	1.00	0.99	1.02
YP9C120D20MP13C	CF/CM/CU60D	0.98	0.99	0.98
YP9C120D20MP13C	CF/CM64D	1.00	0.99	1.02
YPLC080C16MP12C	CF/CM64D	1.01	0.98	1.01
YPLC080C16MP13C	CF/CM/CU60D	0.99	1.01	1.00
YPLC100C16MP12C	CF/CM64D	1.01	0.98	1.01
YPLC100C16MP13C	CF/CM/CU60D	0.99	1.01	1.00
YPLC100C20MP12C	CF/CM/CU60D	0.99	0.98	1.01
YPLC100C20MP13C	CF/CM/CU60C	0.98	1.00	0.98
YPLC100C20MP13C	CF/CM/CU60D	0.99	1.00	0.97
YPLC100C20MP13C	CF/CM64D	0.98	0.96	0.98
YPLC120C20MP12C	CF/CM/CU60D	0.99	0.98	1.01
YPLC120C20MP13C	CF/CM/CU60C	0.98	1.00	0.98
YPLC120C20MP13C	CF/CM/CU60D	0.99	1.00	0.97
YPLC120C20MP13C	CF/CM64D	0.98	0.96	0.98

PERFORMANCE DATA - 5 TON 460 Volt

CONDENSER-ONLY DATA (OUTDOOR UNIT)																		
MODEL	SATURATED SUCTION @ COMPRESSOR		Outdoor Ambient Temperature															
			55 °F		65 °F		75 °F		85 °F		95 °F		105 °F		115 °F		125 °F	
	T (°F)	P (PSIG)	MBH	KW	MBH	KW	MBH	KW	MBH	KW	MBH	KW	MBH	KW	MBH	KW	MBH	KW
TCD60B41S	35	107	54.6	3.05	51.9	3.37	49.1	3.74	46.4	4.15	43.5	4.62	40.4	5.17	37.2	5.79	33.8	6.51
	40	118	60.1	3.09	57.1	3.40	54.2	3.75	51.2	4.16	48.0	4.63	44.8	5.17	41.3	5.80	37.6	6.51
	45	130	65.9	3.12	62.8	3.42	59.6	3.77	56.3	4.17	52.9	4.63	49.4	5.17	45.6	5.80	41.6	6.50
	50	142	72.1	3.17	68.7	3.46	65.3	3.80	61.8	4.18	58.1	4.63	54.3	5.18	50.2	5.81	46.0	6.49
	55	156	78.7	3.23	75.0	3.51	71.3	3.84	67.5	4.22	63.7	4.65	59.5	5.19	55.1	5.81	50.6	6.49

Notes:

- For Outdoor Unit (Condenser) performance only. Data does not include the effects of air handler power or heat.
- Performance based on 15°F subcooling and 15°F superheat at the Outdoor Unit base valves.
 - Increase capacity by 1% for each 2°F increase in subcooling.
 - Decrease capacity by 1% for each 2°F decrease in subcooling.
- Maximum recommended condensing temperature is 140°F.

COOLING PERFORMANCE DATA																	
OUTDOOR UNIT MODEL NO.		TCD60B41S															
INDOOR COIL MODEL NO.		CF60CXA1															
AIR TEMP. ENTERING OUTDOOR UNIT (°F)	ID CFM	1535					1735					1935					
	ID DB (°F)	80	80	75	80	80	80	80	75	80	80	80	80	80	75	80	80
	ID WB (°F)	57	62	62	67	72	57	62	62	67	72	57	62	62	67	72	
55	T.C.	55.3	58.7	59.6	63.7	66.8	57.5	59.6	60.2	64.3	67.1	59.7	60.5	60.7	65.0	67.5	
	S.C.	55.3	49.6	44.3	43.0	33.6	57.5	52.4	46.2	44.3	34.5	59.7	55.2	48.1	45.7	35.4	
	KW	3.10	3.14	3.13	3.15	3.17	3.19	3.22	3.21	3.24	3.25	3.27	3.30	3.29	3.32	3.33	
65	T.C.	54.1	57.2	57.2	62.0	65.7	56.1	58.2	58.0	62.9	66.4	58.0	59.1	58.9	63.8	67.1	
	S.C.	54.1	49.2	42.6	41.9	33.0	56.1	52.1	44.9	43.7	34.1	58.0	54.9	47.2	45.5	35.1	
	KW	3.43	3.46	3.45	3.47	3.48	3.51	3.54	3.53	3.55	3.56	3.59	3.62	3.61	3.63	3.64	
75	T.C.	52.9	55.6	54.7	60.3	64.7	54.6	56.7	55.9	61.5	65.7	56.4	57.8	57.1	62.6	66.8	
	S.C.	52.9	48.9	40.9	40.9	32.5	54.6	51.7	43.6	43.2	33.7	56.4	54.6	46.3	45.4	34.8	
	KW	3.76	3.78	3.77	3.78	3.78	3.84	3.86	3.85	3.86	3.86	3.91	3.93	3.92	3.94	3.94	
85	T.C.	50.4	53.2	52.1	57.9	62.4	52.1	54.2	53.4	58.7	63.3	53.7	55.1	54.7	59.6	64.1	
	S.C.	50.4	47.4	39.6	39.9	31.5	52.1	50.2	42.3	42.1	32.6	53.7	52.9	45.0	44.2	33.8	
	KW	4.22	4.25	4.25	4.24	4.23	4.30	4.32	4.31	4.31	4.30	4.37	4.39	4.38	4.39	4.38	
95	T.C.	47.9	50.8	49.6	55.4	60.2	49.5	51.6	50.9	56.0	60.8	51.1	52.5	52.3	56.6	61.4	
	S.C.	47.9	46.0	38.3	38.9	30.5	49.5	48.6	41.0	41.0	31.6	51.1	51.2	43.7	43.1	32.7	
	KW	4.69	4.71	4.72	4.70	4.67	4.75	4.78	4.78	4.77	4.75	4.82	4.84	4.84	4.83	4.82	
105	T.C.	46.0	47.7	46.1	52.4	57.0	47.5	48.6	47.5	53.0	57.4	49.0	49.6	48.8	53.6	57.8	
	S.C.	46.0	44.5	36.4	37.6	29.1	47.5	46.9	39.0	39.7	30.2	49.0	49.3	41.7	41.8	31.4	
	KW	5.49	5.51	5.51	5.47	5.41	5.52	5.56	5.57	5.53	5.48	5.56	5.61	5.63	5.58	5.56	
115	T.C.	44.1	44.7	42.8	49.5	53.8	45.5	45.7	44.1	50.1	54.0	46.9	46.7	45.4	50.7	54.2	
	S.C.	44.1	43.0	34.6	36.3	27.7	45.5	45.3	37.1	38.4	28.9	46.9	46.7	39.7	40.5	30.0	
	KW	6.26	6.29	6.28	6.22	6.13	6.27	6.32	6.34	6.26	6.20	6.28	6.36	6.39	6.31	6.28	
125	T.C.	42.3	41.8	39.4	46.5	50.7	43.6	42.8	40.7	47.2	50.7	44.9	43.9	42.0	47.8	50.7	
	S.C.	42.3	41.6	32.7	35.0	26.4	43.6	42.8	35.2	37.1	27.5	44.9	43.9	37.8	39.3	28.7	
	KW	7.03	7.07	7.05	6.96	6.84	7.02	7.08	7.10	7.00	6.92	7.00	7.10	7.15	7.04	7.00	
ALL CAPACITIES INCLUDE INDOOR FAN HEAT. KW VALUES ARE FOR THE SYSTEM (OUTDOOR + INDOOR).																	
Green shaded cells are ACCA (TVA) conditions.																	
Blue shaded cells are AHRI conditions.																	

Multipliers for determining the performance with other indoor sections.

NOTE: For dry bulb temperatures different than those listed (between 73-87 °F), sensible capacity increases by 1060 BTUH per 1000 CFM per degree above the listed temperature and decreases by 1060 BTUH per 1000 CFM per degree below the listed temperature.

COIL MULTIPLIERS- 5 TON

Air Handler	Coil	T.C.	S.C.	KW
-	CF/CM/CU60C	1.00	1.00	1.00
-	CF/CM/CU60D	1.00	1.01	1.00
-	CF/CM64D	1.02	1.03	1.02
AE60CX21	-	1.00	0.98	0.98
AP60CX21	-	0.98	0.97	1.00
AP60DX22	-	0.98	0.98	1.00
AVC60CX21	-	1.00	1.01	0.98
ME20DN21	CF/CM60D	1.01	0.99	0.97
ME20DN21	CF/CM64D	1.02	0.99	0.98
ME16CN41	CF/CM60C	0.98	0.98	0.98
ME20DN41	CF/CM60D	1.01	1.00	0.98
ME20DN41	CF/CM64D	1.03	1.04	1.00
MVC16CN21	CF/CM60C	1.02	1.00	0.94
MVC20DN21	CF/CM60D	1.00	0.99	0.98
MVC20DN21	CF/CM64D	1.02	0.99	0.98

FURNACE MULTIPLIERS- 5 TON

Furnaces	Coil	T.C.	S.C.	KW
TL8E080C16UH11	CF/CM/CU60D	0.99	0.99	1.01
TL8E080C16UH11	CF/CM64D	1.00	0.99	1.00
TL8E100C20UH11	CF/CM/CU60C	0.98	0.98	1.00
TL8E100C20UH11	CF/CM/CU60D	1.00	1.01	1.00
TL8E100C20UH11	CF/CM64D	1.02	1.01	1.00
TL9E100C20UH11	CF/CM/CU60C	0.97	0.96	0.99
TL9E100C20UH11	CF/CM/CU60D	1.00	1.01	1.00
TL9E100C20UH11	CF/CM64D	1.02	1.01	1.02
TM8E080C16MP11	CF/CM/CU60D	0.99	1.00	1.01
TM8E080C16MP11	CF/CM64D	1.01	1.00	1.01
TM8E080C20MP11	CF/CM/CU60C	0.98	0.96	1.00
TM8E080C20MP11	CF/CM/CU60D	0.99	0.99	0.99
TM8E080C20MP11	CF/CM64D	1.01	1.00	0.99
TM8E100C16MP11	CF/CM/CU60D	0.99	1.00	1.01
TM8E100C16MP11	CF/CM64D	1.01	1.00	1.01
TM8E100C20MP11	CF/CM/CU60D	0.99	0.98	0.99
TM8E100C20MP11	CF/CM64D	1.01	0.99	0.99
TM8E120C16MP11	CF/CM/CU60D	0.99	1.00	1.01
TM8E120C16MP11	CF/CM64D	1.01	1.00	1.01
TM8E120C20MP11	CF/CM/CU60D	0.99	0.98	0.99
TM8E120C20MP11	CF/CM64D	1.01	0.99	0.99
TM8E130D20MP11	CF/CM/CU60D	1.00	1.01	1.00
TM8E130D20MP11	CF/CM64D	1.02	1.02	1.00
TM8V080C16MP11C	CF/CM64D	1.01	0.98	1.03
TM8V080C16MP12C	CF/CM/CU60D	0.99	1.01	1.00
TM8V100C16MP11C	CF/CM64D	1.01	0.98	1.03
TM8V100C16MP12C	CF/CM/CU60D	0.99	1.01	1.00
TM8V100C20MP11C	CF/CM/CU60D	0.99	0.98	1.01
TM8V100C20MP12C	CF/CM/CU60C	0.98	1.00	0.98
TM8V100C20MP12C	CF/CM/CU60D	0.99	1.00	0.97
TM8V100C20MP12C	CF/CM64D	0.99	0.98	0.97
TM8V120C20MP11C	CF/CM/CU60D	0.99	0.98	1.01
TM8V120C20MP12C	CF/CM/CU60C	0.98	1.00	0.98
TM8V120C20MP12C	CF/CM/CU60D	0.99	1.00	0.97
TM8V120C20MP12C	CF/CM64D	0.99	0.98	0.97
TM8X080C16MP11	CF/CM/CU60D	0.96	0.95	0.97

FURNACE MULTIPLIERS- 5 TON (Continued)

Furnaces	Coil	T.C.	S.C.	KW
TM8X080C16MP11	CF/CM64D	0.98	0.95	1.00
TM8X100C16MP11	CF/CM/CU60D	0.96	0.95	0.97
TM8X100C16MP11	CF/CM64D	0.98	0.95	1.00
TM8X100C20MP11	CF/CM/CU60C	1.00	0.98	1.00
TM8X100C20MP11	CF/CM/CU60D	1.00	0.99	1.00
TM8X100C20MP11	CF/CM64D	0.99	0.98	0.97
TM8X120C20MP11	CF/CM/CU60C	1.00	0.98	1.00
TM8X120C20MP11	CF/CM/CU60D	1.00	0.99	1.00
TM8X120C20MP11	CF/CM64D	0.99	0.98	0.97
TM8Y080C16MP11	CF/CM/CU60D	0.96	0.95	0.97
TM8Y080C16MP11	CF/CM64D	0.98	0.95	1.00
TM8Y100C16MP11	CF/CM/CU60D	0.96	0.95	0.97
TM8Y100C16MP11	CF/CM64D	0.98	0.95	1.00
TM8Y100C20MP11	CF/CM/CU60C	1.00	0.98	1.00
TM8Y100C20MP11	CF/CM/CU60D	1.00	0.99	1.00
TM8Y100C20MP11	CF/CM64D	0.99	0.98	0.97
TM8Y120C20MP11	CF/CM/CU60C	1.00	0.98	1.00
TM8Y120C20MP11	CF/CM/CU60D	1.00	0.99	1.00
TM8Y120C20MP11	CF/CM64D	0.99	0.98	0.97
TM9E080C20MP12	CF/CM/CU60D	0.99	0.98	0.99
TM9E080C20MP12	CF/CM64D	1.03	1.06	1.03
TM9E100C20MP11	CF/CM/CU60C	0.96	0.95	0.97
TM9E100C20MP11	CF/CM/CU60D	1.00	0.96	1.00
TM9E100C20MP11	CF/CM64D	0.99	0.98	1.01
TM9E100C20MP12	CF/CM/CU60D	0.99	0.98	0.99
TM9E100C20MP12	CF/CM64D	1.01	0.99	0.99
TM9E120D20MP11	CF/CM/CU60D	1.00	0.98	1.00
TM9E120D20MP11	CF/CM64D	1.00	0.99	1.02
TM9E120D20MP12	CF/CM/CU60D	1.00	1.01	1.00
TM9E120D20MP12	CF/CM64D	1.02	1.01	1.02
TM9V080C16MP11C	CF/CM/CU60C	0.99	0.98	0.99
TM9V080C16MP11C	CF/CM64D	1.01	0.98	1.01
TM9V100C16MP11C	CF/CM/CU60C	0.97	0.98	0.99
TM9V100C16MP11C	CF/CM64D	1.01	0.98	1.01
TM9V100C16MP12C	CF/CM/CU60C	0.97	0.98	0.99
TM9V100C16MP12C	CF/CM/CU60D	0.98	0.99	0.98
TM9V100C16MP12C	CF/CM64D	1.00	1.00	1.00
TM9V100C20MP11C	CF/CM64D	1.01	0.98	1.03
TM9V100C20MP12C	CF/CM/CU60C	0.98	0.99	1.00
TM9V100C20MP12C	CF/CM64D	1.00	1.00	1.02
TM9V120D20MP11C	CF/CM/CU60D	1.01	1.02	1.03
TM9V120D20MP11C	CF/CM64D	1.02	1.01	1.04
TM9V120D20MP12C	CF/CM/CU60D	0.98	0.99	0.98
TM9V120D20MP12C	CF/CM64D	1.00	0.99	1.02
TM9Y100C20MP11	CF/CM/CU60C	0.96	0.95	0.97
TM9Y100C20MP11	CF/CM/CU60D	1.00	0.96	1.00
TM9Y100C20MP11	CF/CM64D	0.99	0.98	1.01
TM9Y120D20MP11	CF/CM/CU60D	1.00	0.98	1.00
TM9Y120D20MP11	CF/CM64D	1.00	0.99	1.02
TMLE080C16MP11	CF/CM/CU60D	0.99	1.00	1.01
TMLE080C16MP11	CF/CM64D	1.01	1.00	1.01
TMLE080C20MP11	CF/CM/CU60C	0.98	0.96	1.00
TMLE080C20MP11	CF/CM/CU60D	0.99	0.99	0.99
TMLE080C20MP11	CF/CM64D	1.01	1.00	0.99
TMLE100C16MP11	CF/CM/CU60D	0.99	1.00	1.01

FURNACE MULTIPLIERS- 5 TON (Continued)

Furnaces	Coil	T.C.	S.C.	KW
TMLE100C16MP11	CF/CM64D	1.01	1.00	1.01
TMLE100C20MP11	CF/CM/CU60D	0.99	0.98	0.99
TMLE100C20MP11	CF/CM64D	1.01	0.99	0.99
TMLE120C16MP11	CF/CM/CU60D	0.99	1.00	1.01
TMLE120C16MP11	CF/CM64D	1.01	1.00	1.01
TMLE120C20MP11	CF/CM/CU60D	0.99	0.98	0.99
TMLE120C20MP11	CF/CM64D	1.01	0.99	0.99
TMLE130D20MP11	CF/CM/CU60D	1.00	1.01	1.00
TMLE130D20MP11	CF/CM64D	1.02	1.02	1.00
TMLV080C16MP11C	CF/CM64D	1.01	0.98	1.03
TMLV080C16MP12C	CF/CM/CU60D	0.99	1.01	1.00
TMLV100C16MP11C	CF/CM64D	1.01	0.98	1.03
TMLV100C16MP12C	CF/CM/CU60D	0.99	1.01	1.00
TMLV100C20MP11C	CF/CM/CU60D	0.99	0.98	1.01
TMLV100C20MP12C	CF/CM/CU60C	0.98	1.00	0.98
TMLV100C20MP12C	CF/CM/CU60D	0.99	1.00	0.97
TMLV100C20MP12C	CF/CM64D	0.99	0.98	0.97
TMLV120C20MP11C	CF/CM/CU60D	0.99	0.98	1.01
TMLV120C20MP12C	CF/CM/CU60C	0.98	1.00	0.98
TMLV120C20MP12C	CF/CM/CU60D	0.99	1.00	0.97
TMLV120C20MP12C	CF/CM64D	0.99	0.98	0.97
TMLX080C16MP11	CF/CM/CU60D	0.96	0.95	0.97
TMLX080C16MP11	CF/CM64D	0.98	0.95	1.00
TMLX100C16MP11	CF/CM/CU60D	0.96	0.95	0.97
TMLX100C16MP11	CF/CM64D	0.98	0.95	1.00
TMLX100C20MP11	CF/CM/CU60C	1.00	0.98	1.00
TMLX100C20MP11	CF/CM/CU60D	1.00	0.99	1.00
TMLX100C20MP11	CF/CM64D	0.99	0.98	0.97
TMLX120C20MP11	CF/CM/CU60C	1.00	0.98	1.00
TMLX120C20MP11	CF/CM/CU60D	1.00	0.99	1.00
TMLX120C20MP11	CF/CM64D	0.99	0.98	0.97
TP9C080C16MP12C	CF/CM/CU60C	0.99	0.98	0.99
TP9C080C16MP12C	CF/CM64D	1.01	0.98	1.01
TP9C100C16MP12C	CF/CM/CU60C	0.97	0.98	0.99
TP9C100C16MP12C	CF/CM64D	1.01	0.98	1.01
TP9C100C16MP13C	CF/CM/CU60C	0.97	0.98	0.99
TP9C100C16MP13C	CF/CM/CU60D	0.98	0.99	0.98
TP9C100C16MP13C	CF/CM64D	1.00	1.00	1.00
TP9C100C20MP12C	CF/CM64D	1.01	0.98	1.03
TP9C100C20MP13C	CF/CM/CU60C	0.98	0.99	1.00
TP9C100C20MP13C	CF/CM64D	1.00	1.00	1.02
TP9C120D20MP12C	CF/CM/CU60D	1.01	1.02	1.03
TP9C120D20MP12C	CF/CM64D	1.02	1.01	1.04

FURNACE MULTIPLIERS- 5 TON (Continued)

Furnaces	Coil	T.C.	S.C.	KW
TP9C120D20MP13C	CF/CM/CU60D	0.98	0.99	0.98
TP9C120D20MP13C	CF/CM64D	1.00	0.99	1.02
TPLC080C16MP12C	CF/CM64D	1.01	0.98	1.03
TPLC080C16MP13C	CF/CM/CU60D	0.99	1.01	1.00
TPLC100C16MP12C	CF/CM64D	1.01	0.98	1.03
TPLC100C16MP13C	CF/CM/CU60D	0.99	1.01	1.00
TPLC100C20MP12C	CF/CM/CU60D	0.99	0.98	1.01
TPLC100C20MP13C	CF/CM/CU60C	0.98	1.00	0.98
TPLC100C20MP13C	CF/CM/CU60D	0.99	1.00	0.97
TPLC100C20MP13C	CF/CM64D	0.99	0.98	0.97
TPLC120C20MP12C	CF/CM/CU60D	0.99	0.98	1.01
TPLC120C20MP13C	CF/CM/CU60C	0.98	1.00	0.98
TPLC120C20MP13C	CF/CM/CU60D	0.99	1.00	0.97
TPLC120C20MP13C	CF/CM64D	0.99	0.98	0.97
YP9C080C16MP12C	CF/CM/CU60C	0.99	0.98	0.99
YP9C080C16MP12C	CF/CM64D	1.01	0.98	1.01
YP9C100C16MP12C	CF/CM/CU60C	0.97	0.98	0.99
YP9C100C16MP12C	CF/CM64D	1.01	0.98	1.01
YP9C100C16MP13C	CF/CM/CU60C	0.97	0.98	0.99
YP9C100C16MP13C	CF/CM/CU60D	0.98	0.99	0.98
YP9C100C16MP13C	CF/CM64D	1.00	1.00	1.00
YP9C100C20MP12C	CF/CM64D	1.01	0.98	1.03
YP9C100C20MP13C	CF/CM/CU60C	0.98	0.99	1.00
YP9C100C20MP13C	CF/CM64D	1.00	1.00	1.02
YP9C120D20MP12C	CF/CM/CU60D	1.01	1.02	1.03
YP9C120D20MP12C	CF/CM64D	1.02	1.01	1.04
YP9C120D20MP13C	CF/CM/CU60D	0.98	0.99	0.98
YP9C120D20MP13C	CF/CM64D	1.00	0.99	1.02
YPLC080C16MP12C	CF/CM64D	1.01	0.98	1.03
YPLC080C16MP13C	CF/CM/CU60D	0.99	1.01	1.00
YPLC100C16MP12C	CF/CM64D	1.01	0.98	1.03
YPLC100C16MP13C	CF/CM/CU60D	0.99	1.01	1.00
YPLC100C20MP12C	CF/CM/CU60D	0.99	0.98	1.01
YPLC100C20MP13C	CF/CM/CU60C	0.98	1.00	0.98
YPLC100C20MP13C	CF/CM/CU60D	0.99	1.00	0.97
YPLC100C20MP13C	CF/CM64D	0.99	0.98	0.97
YPLC120C20MP12C	CF/CM/CU60D	0.99	0.98	1.01
YPLC120C20MP13C	CF/CM/CU60C	0.98	1.00	0.98
YPLC120C20MP13C	CF/CM/CU60D	0.99	1.00	0.97
YPLC120C20MP13C	CF/CM64D	0.99	0.98	0.97

PERFORMANCE DATA - 5 TON 575 Volt

CONDENSER-ONLY DATA (OUTDOOR UNIT)																		
MODEL	SATURATED SUCTION @ COMPRESSOR		Outdoor Ambient Temperature															
			55 °F		65 °F		75 °F		85 °F		95 °F		105 °F		115 °F		125 °F	
	T (°F)	P (PSIG)	MBH	KW	MBH	KW	MBH	KW	MBH	KW	MBH	KW	MBH	KW	MBH	KW	MBH	KW
TCD60B51S	35	107	54.5	3.01	51.8	3.34	49.1	3.71	46.3	4.12	43.4	4.59	40.4	5.13	37.2	5.74	33.7	6.46
	40	118	60.0	3.05	57.1	3.37	54.1	3.72	51.1	4.13	48.0	4.59	44.7	5.13	41.2	5.76	37.5	6.45
	45	130	65.9	3.09	62.7	3.40	59.5	3.74	56.3	4.14	52.9	4.60	49.3	5.14	45.6	5.76	41.6	6.45
	50	142	72.1	3.14	68.7	3.44	65.2	3.77	61.8	4.16	58.1	4.60	54.2	5.14	50.2	5.76	45.9	6.44
	55	156	78.7	3.20	75.0	3.49	71.2	3.82	67.5	4.19	63.6	4.62	59.5	5.15	55.1	5.77	50.6	6.43

Notes:

1. For Outdoor Unit (Condenser) performance only. Data does not include the effects of air handler power or heat.
2. Performance based on 15°F subcooling and 15°F superheat at the Outdoor Unit base valves.
 - a. Increase capacity by 1% for each 2°F increase in subcooling.
 - b. Decrease capacity by 1% for each 2°F decrease in subcooling.
3. Maximum recommended condensing temperature is 140°F.

COOLING PERFORMANCE DATA																
OUTDOOR UNIT MODEL NO.		TCD60B51S														
INDOOR COIL MODEL NO.		CF60CXA1														
AIR TEMP. ENTERING OUTDOOR UNIT (°F)	ID CFM	1535					1735					1935				
	ID DB (°F)	80	80	75	80	80	80	80	75	80	80	80	80	75	80	80
	ID WB (°F)	57	62	62	67	72	57	62	62	67	72	57	62	62	67	72
55	T.C.	55.3	58.7	59.6	63.7	66.8	57.5	59.6	60.2	64.3	67.1	59.7	60.5	60.7	65.0	67.5
	S.C.	55.3	49.6	44.3	43.0	33.6	57.5	52.4	46.2	44.3	34.5	59.7	55.2	48.1	45.7	35.4
	KW	3.10	3.14	3.13	3.15	3.17	3.19	3.22	3.21	3.24	3.25	3.27	3.30	3.29	3.32	3.33
65	T.C.	54.1	57.2	57.2	62.0	65.7	56.1	58.2	58.0	62.9	66.4	58.0	59.1	58.9	63.8	67.1
	S.C.	54.1	49.2	42.6	41.9	33.0	56.1	52.1	44.9	43.7	34.1	58.0	54.9	47.2	45.5	35.1
	KW	3.43	3.46	3.45	3.47	3.48	3.51	3.54	3.53	3.55	3.56	3.59	3.62	3.61	3.63	3.64
75	T.C.	52.9	55.6	54.7	60.3	64.7	54.6	56.7	55.9	61.5	65.7	56.4	57.8	57.1	62.6	66.8
	S.C.	52.9	48.9	40.9	40.9	32.5	54.6	51.7	43.6	43.2	33.7	56.4	54.6	46.3	45.4	34.8
	KW	3.76	3.78	3.77	3.78	3.78	3.84	3.86	3.85	3.86	3.86	3.91	3.93	3.92	3.94	3.94
85	T.C.	50.4	53.2	52.1	57.9	62.4	52.1	54.2	53.4	58.7	63.3	53.7	55.1	54.7	59.6	64.1
	S.C.	50.4	47.4	39.6	39.9	31.5	52.1	50.2	42.3	42.1	32.6	53.7	52.9	45.0	44.2	33.8
	KW	4.22	4.25	4.25	4.24	4.23	4.30	4.32	4.31	4.31	4.30	4.37	4.39	4.38	4.39	4.38
95	T.C.	47.9	50.8	49.6	55.4	60.2	49.5	51.6	50.9	56.0	60.8	51.1	52.5	52.3	56.6	61.4
	S.C.	47.9	46.0	38.3	38.9	30.5	49.5	48.6	41.0	41.0	31.6	51.1	51.2	43.7	43.1	32.7
	KW	4.69	4.71	4.72	4.70	4.67	4.75	4.78	4.78	4.77	4.75	4.82	4.84	4.84	4.83	4.82
105	T.C.	46.0	47.7	46.1	52.4	57.0	47.5	48.6	47.5	53.0	57.4	49.0	49.6	48.8	53.6	57.8
	S.C.	46.0	44.5	36.4	37.6	29.1	47.5	46.9	39.0	39.7	30.2	49.0	49.3	41.7	41.8	31.4
	KW	5.49	5.51	5.51	5.47	5.41	5.52	5.56	5.57	5.53	5.48	5.56	5.61	5.63	5.58	5.56
115	T.C.	44.1	44.7	42.8	49.5	53.8	45.5	45.7	44.1	50.1	54.0	46.9	46.7	45.4	50.7	54.2
	S.C.	44.1	43.0	34.6	36.3	27.7	45.5	45.3	37.1	38.4	28.9	46.9	46.7	39.7	40.5	30.0
	KW	6.26	6.29	6.28	6.22	6.13	6.27	6.32	6.34	6.26	6.20	6.28	6.36	6.39	6.31	6.28
125	T.C.	42.3	41.8	39.4	46.5	50.7	43.6	42.8	40.7	47.2	50.7	44.9	43.9	42.0	47.8	50.7
	S.C.	42.3	41.6	32.7	35.0	26.4	43.6	42.8	35.2	37.1	27.5	44.9	43.9	37.8	39.3	28.7
	KW	7.03	7.07	7.05	6.96	6.84	7.02	7.08	7.10	7.00	6.92	7.00	7.10	7.15	7.04	7.00

ALL CAPACITIES INCLUDE INDOOR FAN HEAT. KW VALUES ARE FOR THE SYSTEM (OUTDOOR + INDOOR).

Green shaded cells are ACCA (TVA) conditions.

Blue shaded cells are AHRI conditions.

Multipliers for determining the performance with other indoor sections.

NOTE: For dry bulb temperatures different than those listed (between 73-87 °F), sensible capacity increases by 1060 BTUH per 1000 CFM per degree above the listed temperature and decreases by 1060 BTUH per 1000 CFM per degree below the listed temperature.

COIL MULTIPLIERS- 5 TON

Air Handler	Coil	T.C.	S.C.	KW
–	CF/CM/CU60C	1.00	1.00	1.00
–	CF/CM/CU60D	1.00	1.02	1.00
–	CF/CM64D	1.02	1.02	1.02
AP60CX21	–	0.98	0.98	1.00
AP60DX22	–	0.98	0.97	1.00
ME20DN21	CF/CM60D	1.01	1.00	0.97
ME20DN21	CF/CM64D	1.02	0.99	0.98
MVC16CN21	CF/CM60C	1.02	1.01	0.94
MVC20DN21	CF/CM60D	1.00	0.99	0.98
MVC20DN21	CF/CM64D	1.02	0.99	0.98

FURNACE MULTIPLIERS- 5 TON

Furnaces	Coil	T.C.	S.C.	KW
TL8E080C16UH11	CF/CM/CU60D	0.99	0.99	1.01
TL8E080C16UH11	CF/CM64D	1.00	0.99	1.00
TL8E100C20UH11	CF/CM/CU60C	0.98	0.98	1.00
TL8E100C20UH11	CF/CM/CU60D	1.00	1.01	1.00
TL8E100C20UH11	CF/CM64D	1.02	1.01	1.00
TL9E100C20UH11	CF/CM/CU60C	0.97	0.96	0.99
TL9E100C20UH11	CF/CM/CU60D	1.00	1.01	1.00
TL9E100C20UH11	CF/CM64D	1.02	1.01	1.02
TM8E080C16MP11	CF/CM/CU60D	0.99	1.00	1.01
TM8E080C16MP11	CF/CM64D	1.01	1.00	1.01
TM8E080C20MP11	CF/CM/CU60C	0.98	0.96	1.00
TM8E080C20MP11	CF/CM/CU60D	0.99	0.99	0.99
TM8E080C20MP11	CF/CM64D	1.01	1.00	0.99
TM8E100C16MP11	CF/CM/CU60D	0.99	1.00	1.01
TM8E100C16MP11	CF/CM64D	1.01	1.00	1.01
TM8E100C20MP11	CF/CM/CU60D	0.99	0.98	0.99
TM8E100C20MP11	CF/CM64D	1.01	0.99	0.99
TM8E120C16MP11	CF/CM/CU60D	0.99	1.00	1.01
TM8E120C16MP11	CF/CM64D	1.01	1.00	1.01
TM8E120C20MP11	CF/CM/CU60D	0.99	0.98	0.99
TM8E120C20MP11	CF/CM64D	1.01	0.99	0.99
TM8E130D20MP11	CF/CM/CU60D	1.00	1.01	1.00
TM8E130D20MP11	CF/CM64D	1.02	1.02	1.00
TM8V080C16MP11C	CF/CM64D	1.01	0.98	1.01
TM8V080C16MP12C	CF/CM/CU60D	0.99	1.01	1.00
TM8V100C16MP11C	CF/CM64D	1.01	0.98	1.01
TM8V100C16MP12C	CF/CM/CU60D	0.99	1.01	1.00
TM8V100C20MP11C	CF/CM/CU60D	0.99	0.98	1.01
TM8V100C20MP12C	CF/CM/CU60C	0.98	1.00	0.98
TM8V100C20MP12C	CF/CM/CU60D	0.99	1.00	0.97
TM8V100C20MP12C	CF/CM64D	0.99	0.98	0.97
TM8V120C20MP11C	CF/CM/CU60D	0.99	0.98	1.01
TM8V120C20MP12C	CF/CM/CU60C	0.98	1.00	0.98
TM8V120C20MP12C	CF/CM/CU60D	0.99	1.00	0.97
TM8V120C20MP12C	CF/CM64D	0.99	0.98	0.97
TM8X080C16MP11	CF/CM/CU60D	0.96	0.95	0.97
TM8X080C16MP11	CF/CM64D	0.98	0.95	1.00
TM8X100C16MP11	CF/CM/CU60D	0.96	0.95	0.97
TM8X100C16MP11	CF/CM64D	0.98	0.95	1.00
TM8X100C20MP11	CF/CM/CU60C	0.97	0.95	0.95
TM8X100C20MP11	CF/CM/CU60D	1.00	0.98	1.00

FURNACE MULTIPLIERS- 5 TON (Continued)

Furnaces	Coil	T.C.	S.C.	KW
TM8X100C20MP11	CF/CM64D	0.99	0.98	0.97
TM8X120C20MP11	CF/CM/CU60C	0.97	0.95	0.95
TM8X120C20MP11	CF/CM/CU60D	1.00	0.98	1.00
TM8X120C20MP11	CF/CM64D	0.99	0.98	0.97
TM8Y080C16MP11	CF/CM/CU60D	0.96	0.95	0.97
TM8Y080C16MP11	CF/CM64D	0.98	0.95	1.00
TM8Y100C16MP11	CF/CM/CU60D	0.96	0.95	0.97
TM8Y100C16MP11	CF/CM64D	0.98	0.95	1.00
TM8Y100C20MP11	CF/CM/CU60C	0.97	0.95	0.95
TM8Y100C20MP11	CF/CM/CU60D	1.00	0.98	1.00
TM8Y100C20MP11	CF/CM64D	0.99	0.98	0.97
TM8Y120C20MP11	CF/CM/CU60C	0.97	0.95	0.95
TM8Y120C20MP11	CF/CM/CU60D	1.00	0.98	1.00
TM8Y120C20MP11	CF/CM64D	0.99	0.98	0.97
TM9E080C20MP12	CF/CM/CU60D	0.99	0.98	0.99
TM9E080C20MP12	CF/CM64D	1.03	1.06	1.03
TM9E100C20MP11	CF/CM/CU60C	0.96	0.95	0.97
TM9E100C20MP11	CF/CM/CU60D	1.00	0.98	1.00
TM9E100C20MP11	CF/CM64D	0.99	0.98	1.01
TM9E100C20MP12	CF/CM/CU60D	0.99	0.98	0.99
TM9E100C20MP12	CF/CM64D	1.01	0.99	0.99
TM9E120D20MP11	CF/CM/CU60D	0.98	0.96	0.96
TM9E120D20MP11	CF/CM64D	1.00	0.99	1.02
TM9E120D20MP12	CF/CM/CU60D	1.00	1.01	1.00
TM9E120D20MP12	CF/CM64D	1.02	1.01	1.02
TM9V080C16MP11C	CF/CM/CU60C	0.99	0.98	1.01
TM9V080C16MP11C	CF/CM64D	1.02	0.99	1.00
TM9V100C16MP11C	CF/CM/CU60C	0.99	0.98	1.01
TM9V100C16MP11C	CF/CM64D	1.02	0.99	1.00
TM9V100C16MP12C	CF/CM/CU60C	0.97	0.98	0.97
TM9V100C16MP12C	CF/CM/CU60D	0.98	0.99	0.98
TM9V100C16MP12C	CF/CM64D	1.00	1.00	1.00
TM9V100C20MP11C	CF/CM64D	1.01	0.98	1.03
TM9V100C20MP12C	CF/CM/CU60C	0.98	0.99	1.00
TM9V100C20MP12C	CF/CM64D	1.00	1.00	1.02
TM9V120D20MP11C	CF/CM/CU60D	1.01	1.02	1.03
TM9V120D20MP11C	CF/CM64D	1.00	0.99	1.02
TM9V120D20MP12C	CF/CM/CU60D	0.98	0.99	0.98
TM9V120D20MP12C	CF/CM64D	1.00	0.99	1.02
TM9Y100C20MP11	CF/CM/CU60C	0.96	0.95	0.97
TM9Y100C20MP11	CF/CM/CU60D	1.00	0.98	1.00
TM9Y100C20MP11	CF/CM64D	0.99	0.98	1.01
TM9Y120D20MP11	CF/CM/CU60D	0.98	0.96	0.96
TM9Y120D20MP11	CF/CM64D	1.00	0.99	1.02
TMLE080C16MP11	CF/CM/CU60D	0.99	1.00	1.01
TMLE080C16MP11	CF/CM64D	1.01	1.00	1.01
TMLE080C20MP11	CF/CM/CU60C	0.98	0.96	1.00
TMLE080C20MP11	CF/CM/CU60D	0.99	0.99	0.99
TMLE080C20MP11	CF/CM64D	1.01	1.00	0.99
TMLE100C16MP11	CF/CM/CU60D	0.99	1.00	1.01
TMLE100C16MP11	CF/CM64D	1.01	1.00	1.01
TMLE100C20MP11	CF/CM/CU60D	0.99	0.98	0.99
TMLE100C20MP11	CF/CM64D	1.01	0.99	0.99
TMLE120C16MP11	CF/CM/CU60D	0.99	1.00	1.01
TMLE120C16MP11	CF/CM64D	1.01	1.00	1.01

FURNACE MULTIPLIERS- 5 TON (Continued)

Furnaces	Coil	T.C.	S.C.	KW
TMLE120C20MP11	CF/CM/CU60D	0.99	0.98	0.99
TMLE120C20MP11	CF/CM64D	1.01	0.99	0.99
TMLE130D20MP11	CF/CM/CU60D	1.00	1.01	1.00
TMLE130D20MP11	CF/CM64D	1.02	1.02	1.00
TMLV080C16MP11C	CF/CM64D	1.01	0.98	1.01
TMLV080C16MP12C	CF/CM/CU60D	0.99	1.01	1.00
TMLV100C16MP11C	CF/CM64D	1.01	0.98	1.01
TMLV100C16MP12C	CF/CM/CU60D	0.99	1.01	1.00
TMLV100C20MP11C	CF/CM/CU60D	0.99	0.98	1.01
TMLV100C20MP12C	CF/CM/CU60C	0.98	1.00	0.98
TMLV100C20MP12C	CF/CM/CU60D	0.99	1.00	0.97
TMLV100C20MP12C	CF/CM64D	0.99	0.98	0.97
TMLV120C20MP11C	CF/CM/CU60D	0.99	0.98	1.01
TMLV120C20MP12C	CF/CM/CU60C	0.98	1.00	0.98
TMLV120C20MP12C	CF/CM/CU60D	0.99	1.00	0.97
TMLV120C20MP12C	CF/CM64D	0.99	0.98	0.97
TMLX080C16MP11	CF/CM/CU60D	0.96	0.95	0.97
TMLX080C16MP11	CF/CM64D	0.98	0.95	1.00
TMLX100C16MP11	CF/CM/CU60D	0.96	0.95	0.97
TMLX100C16MP11	CF/CM64D	0.98	0.95	1.00
TMLX100C20MP11	CF/CM/CU60C	0.97	0.95	0.95
TMLX100C20MP11	CF/CM/CU60D	1.00	0.98	1.00
TMLX100C20MP11	CF/CM64D	0.99	0.98	0.97
TMLX120C20MP11	CF/CM/CU60C	0.97	0.95	0.95
TMLX120C20MP11	CF/CM/CU60D	1.00	0.98	1.00
TMLX120C20MP11	CF/CM64D	0.99	0.98	0.97
TP9C080C16MP12C	CF/CM/CU60C	0.99	0.98	1.01
TP9C080C16MP12C	CF/CM64D	1.02	0.99	1.00
TP9C100C16MP12C	CF/CM/CU60C	0.99	0.98	1.01
TP9C100C16MP12C	CF/CM64D	1.02	0.99	1.00
TP9C100C16MP13C	CF/CM/CU60C	0.97	0.98	0.97
TP9C100C16MP13C	CF/CM/CU60D	0.98	0.99	0.98
TP9C100C16MP13C	CF/CM64D	1.00	1.00	1.00
TP9C100C20MP12C	CF/CM64D	1.01	0.98	1.03
TP9C100C20MP13C	CF/CM/CU60C	0.98	0.99	1.00
TP9C100C20MP13C	CF/CM64D	1.00	1.00	1.02
TP9C120D20MP12C	CF/CM/CU60D	1.01	1.02	1.03
TP9C120D20MP12C	CF/CM64D	1.00	0.99	1.02
TP9C120D20MP13C	CF/CM/CU60D	0.98	0.99	0.98
TP9C120D20MP13C	CF/CM64D	1.00	0.99	1.02
YPLC080C16MP12C	CF/CM64D	1.01	0.98	1.01
YPLC080C16MP13C	CF/CM/CU60D	0.99	1.01	1.00
YPLC100C16MP12C	CF/CM64D	1.01	0.98	1.01
YPLC100C16MP13C	CF/CM/CU60D	0.99	1.01	1.00
YPLC100C20MP12C	CF/CM/CU60D	0.99	0.98	1.01
YPLC100C20MP13C	CF/CM/CU60C	0.98	1.00	0.98
YPLC100C20MP13C	CF/CM/CU60D	0.99	1.00	0.97
YPLC100C20MP13C	CF/CM64D	0.99	0.98	0.97
YPLC120C20MP12C	CF/CM/CU60D	0.99	0.98	1.01
YPLC120C20MP13C	CF/CM/CU60C	0.98	1.00	0.98
YPLC120C20MP13C	CF/CM/CU60D	0.99	1.00	0.97
YPLC120C20MP13C	CF/CM64D	0.99	0.98	0.97

FURNACE MULTIPLIERS- 5 TON (Continued)

Furnaces	Coil	T.C.	S.C.	KW
TPLC080C16MP12C	CF/CM64D	1.01	0.98	1.01
TPLC080C16MP13C	CF/CM/CU60D	0.99	1.01	1.00
TPLC100C16MP12C	CF/CM64D	1.01	0.98	1.01
TPLC100C16MP13C	CF/CM/CU60D	0.99	1.01	1.00
TPLC100C20MP12C	CF/CM/CU60D	0.99	0.98	1.01
TPLC100C20MP13C	CF/CM/CU60C	0.98	1.00	0.98
TPLC100C20MP13C	CF/CM/CU60D	0.99	1.00	0.97
TPLC100C20MP13C	CF/CM64D	0.99	0.98	0.97
TPLC120C20MP12C	CF/CM/CU60D	0.99	0.98	1.01
TPLC120C20MP13C	CF/CM/CU60C	0.98	1.00	0.98
TPLC120C20MP13C	CF/CM/CU60D	0.99	1.00	0.97
TPLC120C20MP13C	CF/CM64D	0.99	0.98	0.97
YP9C080C16MP12C	CF/CM/CU60C	0.99	0.98	1.01
YP9C080C16MP12C	CF/CM64D	1.02	0.99	1.00
YP9C100C16MP12C	CF/CM/CU60C	0.99	0.98	1.01
YP9C100C16MP12C	CF/CM64D	1.02	0.99	1.00
YP9C100C16MP13C	CF/CM/CU60C	0.97	0.98	0.97
YP9C100C16MP13C	CF/CM/CU60D	0.98	0.99	0.98
YP9C100C16MP13C	CF/CM64D	1.00	1.00	1.00
YP9C100C20MP12C	CF/CM64D	1.01	0.98	1.03
YP9C100C20MP13C	CF/CM/CU60C	0.98	0.99	1.00
YP9C100C20MP13C	CF/CM64D	1.00	1.00	1.02
YP9C120D20MP12C	CF/CM/CU60D	1.01	1.02	1.03
YP9C120D20MP12C	CF/CM64D	1.00	0.99	1.02
YP9C120D20MP13C	CF/CM/CU60D	0.98	0.99	0.98
YP9C120D20MP13C	CF/CM64D	1.00	0.99	1.02
YPLC080C16MP12C	CF/CM64D	1.01	0.98	1.01
YPLC080C16MP13C	CF/CM/CU60D	0.99	1.01	1.00
YPLC100C16MP12C	CF/CM64D	1.01	0.98	1.01
YPLC100C16MP13C	CF/CM/CU60D	0.99	1.01	1.00
YPLC100C20MP12C	CF/CM/CU60D	0.99	0.98	1.01
YPLC100C20MP13C	CF/CM/CU60C	0.98	1.00	0.98
YPLC100C20MP13C	CF/CM/CU60D	0.99	1.00	0.97
YPLC100C20MP13C	CF/CM64D	0.99	0.98	0.97
YPLC120C20MP12C	CF/CM/CU60D	0.99	0.98	1.01
YPLC120C20MP13C	CF/CM/CU60C	0.98	1.00	0.98
YPLC120C20MP13C	CF/CM/CU60D	0.99	1.00	0.97
YPLC120C20MP13C	CF/CM64D	0.99	0.98	0.97

NOTES